

# Shihlin Electric General Inverters

## SC3 Series

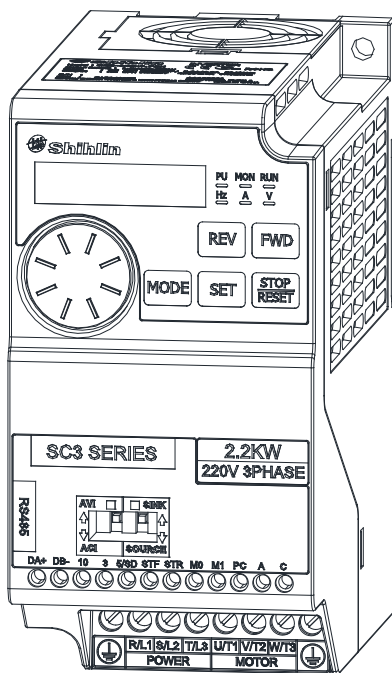
### User Manual

#### *High Cost Performance*

SC3-021-0.2K ~ 2.2K

SC3-023-0.2K ~ 3.7K

SC3-043-0.4K ~ 5.5K



MANUAL GUIDE	1
DELIVERY AND INSPECTION	2
INVERTER INTRODUCTION	3
PRIMARY OPERATION	4
PARAMETER DESCRIPTION	5
INSPECTION AND MAINTENANCE	6
APPENDIX	7



# 1. MANUAL GUIDE

## 1.1 Safety instructions

Thank you for choosing Shihlin inverters of SC3 series. This instruction introduces how to correctly use this inverter. Before using this inverter, always carefully read this User Manual and moreover, please understand the safety instructions.

### Safety Instructions

- ✓ Installation, operation, maintenance and inspection must be performed by qualified personnel.
- ✓ In this instruction, the safety instruction levels are classified into "Warning" and "Caution".
  - ⚠ Warning: Incorrect handling may cause hazardous conditions, resulting in death or severe injury.
  - ⚠ Caution: Incorrect handling may cause hazardous conditions, resulting in medium or slight injury, or may cause only material damage.

### ⚠ Warning

- ✓ While the inverter power is ON, do not open the front cover or the wiring cover. Do not run the inverter with the front cover or the wiring cover removed. Otherwise you may access the exposed high voltage terminals or the charging part of the circuitry and get an electric shock.
- ✓ It is crucial to turn off the motor drive power before any wiring installation or inspection is made. Before the inverter CHARGE light is OFF, which indicates that there is still high voltage in it, please do not touch the internal circuit and components.
- ✓ The inverter must be connected to the ground properly.
- ✓ Do not operate or touch the radiator or handle the cables with wet hands. Otherwise you may get an electric shock.
- ✓ Do not change the cooling fan while power is ON. It is dangerous to change the cooling fan while power is ON.

### ⚠ Caution

- ✓ The voltage applied to each terminal must be the ones specified in the Instruction Manual. Otherwise burst, damage, etc. may occur.
- ✓ Do not conduct a pressure test on the components inside the inverter, for semiconductor of the inverter is easily to be broke down and damaged by high voltage.
- ✓ While power is ON or for some time after power-OFF, do not touch the inverter as it will be extremely hot. Touching these devices may cause a burn.
- ✓ The cables must be connected to the correct terminals. Otherwise burst, damage, etc. may occur.
- ✓ The polarity (+ and -) must be correct. Otherwise burst, damage, etc. may occur.
- ✓ Inverter must be installed on a nonflammable wall without holes (so that nobody touches the inverter heatsink on the rear side, etc.). Mounting it to or near flammable material may cause a fire.
- ✓ If the inverter has become faulty, the inverter power must be switched OFF. A continuous flow of large current may cause a fire.

## 1.2 Contents

User Manual .....	- 1 -
1. MANUAL GUIDE .....	1
1.1 Safety instructions .....	1
1.2 Contents .....	2
2. DELIVERY CHECK.....	11
2.1 Nameplate instruction.....	11
2.2 Type instruction .....	11
2.3 Order code description .....	11
3. INVERTER INTRODUCTION.....	12
3.1 Electric specification .....	12
3.1.1 440V series three-phase.....	12
3.1.2 220Vseries three-phase.....	13
3.1.3 220Vseries single-phase.....	14
3.2 General specification .....	15
3.3 Appearance and dimensions.....	16
3.3.1 Frame A.....	16
3.3.2 Frame B.....	17
3.4 Name of each component.....	18
3.4.1 Frame A/B .....	18
3.5 Installation and wiring.....	19
3.5.1 Transportation .....	19
3.5.2 Stockpile.....	19

---

3.5.3 Installation notice .....	19
3.5.4 EMC installation instructions .....	21
3.6 Peripheral devices.....	22
3.6.1 System Wire Arrangement .....	22
3.6.2 No-fuse switch and magnetic contactor.....	23
3.6.3 Retrograde Brake Resistor .....	24
3.7 Terminal wire arrangement.....	25
3.7.1 Maincircuit Terminals .....	26
3.7.2 Main circuit wiring and terminal specification .....	27
3.7.3 Ground.....	28
3.7.4 RFI filter .....	28
3.7.5 Control circuit.....	29
3.8Replacement procedure of fan .....	34
3.8.1 Frame A/B .....	34
4. PRIMARY OPERATION.....	35
4.1 Component name of parameter unit (PU301).....	35
4.2 Operation modes of the inverter .....	36
4.2.1 The flow chart for switching the operation mode.....	37
4.2.2 The flow chart for switching the working mode with PU301 parameter unit .....	37
4.2.3The operation flow charts for monitoring mode with PU301.....	38
4.2.4Operation flow charts for frequency setting mode withPU301 .....	38
4.2.5Operation flow charts for parameter setting mode withPU301 .....	39
4.2.6 Operation flow chartsof HELP model,using SC3-TYPE operation keyboard.....	39
4.3 Basic operation procedures for different modes.....	40

4.3.1 Basic operation procedures for PU mode (00-16(P.79) = 0 or 1) .....	40
4.3.2 Basic operation procedures for external mode (00-16(P.79) = 0 or 2).....	40
4.3.3 Basic operation procedures for JOG mode (00-16(P.79) = 0 or 1).....	41
4.3.4 Basic operation procedures for communication mode (00-16(P.79) = 3) .....	41
4.3.5 Basic operation procedures for combined mode 1 (00-16(P.79) = 4) .....	41
4.3.6 Basic operation procedures for combined mode 2 (00-16(P.79) = 5) .....	42
4.3.7 Basic operation procedures for combined mode 3(00-16(P.79) = 6) .....	43
4.3.8 Basic operation procedures for combined mode 4(00-16(P.79) = 7) .....	43
4.3.9 Basic operation procedures for combined mode 5(00-16(P.79) = 8) .....	44
4.4 Operation.....	45
4.4.1 Pre-operation checks and preparation.....	45
4.4.2 Operation methods .....	45
4.4.3 Trial run .....	46
5. PARAMETER DESCRIPTION .....	47
5.1 System parameter group00 .....	47
5.1.1 Inverter information.....	50
5.1.2 Parameter restoration.....	51
5.1.3 Parameter protection.....	53
5.1.4Monitoring function.....	55
5.1.5 Speed display .....	56
5.1.6 The Setting Frequency Selection of Rotary Knob on the Operating Keyboard /PWM carrier frequency.....	57
5.1.7 PWM Carrier frequency.....	58
5.1.8 Stop operation selection .....	59

---

5.1.9 Forward/reverse rotation prevention selection .....	60
5.1.10 Operation mode selection.....	60
5.1.11 Control mode selection .....	61
5.1.12 50/60Hz switch selection .....	61
5.1.13 Parameter mode setting .....	62
5.2 Basic parameter group01.....	63
5.2.1 Limiting the output frequency .....	65
5.2.2 Base frequency, basefrequency voltage .....	66
5.2.3 Acceleration/deceleration time setting .....	67
5.2.4 Torque boostV/F .....	69
5.2.5 Starting frequency.....	69
5.2.6 Load pattern selection V/F.....	70
5.2.7 JOG operation .....	72
5.2.8 Output frequency filter time .....	72
5.2.9 Fequency jump.....	73
5.2.10 The second function .....	74
5.2.11 Middle frequency, output voltage of middle frequencyV/F .....	75
5.2.12 S pattern time .....	76
5.3 Analog input and output parameter group 02 .....	78
5.3.1Proportion linkage gain .....	79
5.3.2Auxiliary frequency.....	80
5.3.3 Selection and handling of input terminal 3-5.....	81
5.3.4 Output current according to the benchmark .....	87
5.4 Digital input/ output parameter group03 .....	88

5.4.1 Function selection of digital input .....	91
5.4.2 Function selection of digital output .....	95
5.4.3 Terminal logic selection .....	96
5.4.4 Output signal delay .....	97
5.4.5 Digital input terminal filter .....	97
5.4.6 Digital input terminal power enable .....	98
5.4.7 Output frequency detection .....	98
5.4.8 Zero current detection .....	99
5.5 Multi-speed parameter group04 .....	100
5.5.1 16 speeds.....	102
5.5.2 Programmed operation mode .....	104
5.6 Motor parameter group05 .....	108
5.6.1 Motor parameter auto-tuning function selection.....	109
5.6.2 Motor parameter.....	111
5.7 Protection parameter group06 .....	112
5.7.1 Electronic thermal relay capacity.....	114
5.7.2 Current stalling protection.....	115
5.7.3 Regenerative brake .....	116
5.7.4 Over torque detection.....	117
5.7.5 Cooling fan operation .....	118
5.7.6 Maintenance alarm function .....	119
5.7.7 Time record function.....	120
5.7.8 Alarm query function.....	121
5.8 Communication parameter group 07.....	123



---

5.8.1 Shihlin protocol and Modbusprotocol.....	124
5.8.2 Writing Selection of Communication EEPROM.....	141
5.9 PID parameter group08.....	142
5.9.1 PID function selection.....	143
5.9.2 PID parameter group.....	144
5.10Application parameter group 10.....	149
5.10.1 DC injection brake .....	152
5.10.2 Zero-speed/zero-servo control.....	153
5.10.3 DC injection brake before start .....	153
5.10.4 Restart mode selection .....	154
5.10.5 Remote setting function selection .....	155
5.10.6 Retry selection.....	158
5.10.7 The dead time of positive and reverse rotation .....	159
5.10.8 Energy-saving control function <b>V/F</b> .....	159
5.10.9 Dwell function <b>V/F</b> .....	160
5.10.10 Triangular wave function <b>V/F</b> .....	162
5.10.11 Reciprocating engine function .....	163
5.11Speed and torque control parameter group 11 .....	165
5.11.1 Control parameter.....	165
5.11.2 Torque compensation filter.....	165
5.12 Special adjustment parameter group13.....	166
5.12.1 Slip compensation <b>V/F</b> .....	167
5.12.2 Vibration inhibition .....	168
5.13 User parameter Group 15.....	169

5.13.1 User registration parameters .....	170
6. INSPECTION AND MAINTENANCE.....	171
6.1 Inspection item.....	171
6.1.1 Daily inspection item.....	171
6.1.2 Periodical inspection items .....	171
6.1.3 Checking the converter and inverter modules.....	172
6.1.4 Cleaning .....	172
6.1.5 Replacement of parts .....	173
6.2 Measurement of main circuit voltages, currents and powers .....	174
6.2.1 Selection of instruments for measurement .....	174
6.2.2 Measurement of voltages .....	174
6.2.3 Measurement of currents.....	175
6.2.4 Measurement of power .....	175
6.2.5 Measurement of insulation resistance .....	175
6.2.6 Hi-pot test.....	176
7. APPENDIX .....	177
7.1 Appendix 1 Parameter table .....	177
7.2 Appendix 2 Alarm code list .....	195
7.3 Appendix 3 Troubles and solutions .....	198
7.4 Appendix 4 : Optional accessories .....	199
7.4.1 PU301 Exerciser .....	199
7.4.2 DU06 Exerciser .....	201
7.4.3 DU08 Exerciser .....	202
7.4.4 CBL: Data transmission line (coordinated with the operation panel) .....	204

7.4.5 Appendix 6 European Specification Compatibility Description .....	205
8. REVISION RECORD .....	208

## 1.3 Definitions of terminologies

### ✓ Output frequency, target frequency, steady output frequency

- The actual output current frequency of the inverter is called “output frequency.”
- The frequency set by user (via parameter unit, multi-speed terminals, voltage signal, and current signal or communication settings) is called “target frequency.”
- When the motor starts running, the output frequency of the inverter will gradually accelerate to the target frequency before it finally runs steadily at the target frequency. This output frequency is called “stead output frequency.”

### ✓ Parameter settings

- Detail explanation on parameter settings are provided in Chapter 5. For users who are not familiar with these settings, arbitrary adjustment of the parameter may result in abnormal operations. All parameters can be reset to their default values by the parameter of 00-02. For setting procedures of this parameter, please refer to 00-02 in Section 5.1.2.

### ✓ The “operation mode” and “working mode” of the parameter unit

- The operating mode determines the reference source for the target frequency and the signal source for starting. A total of nine operating modes are provided in each Shihlin inverter. Please refer to Section 4.3 for details.
- The parameter unit is used mainly for monitoring the numeric values, setting parameters and target frequency. There are a total of five working modes on the Shihlin parameter unit. Please refer to Section 4.2 for details.

### ✓ The difference between “terminal name” and “function name”:

- Printed letters can be found near the terminals of either the control board or the main board. They are used to distinguish each terminal and are called “terminal name.”
- For “multi-function control terminal” and “multi-function output terminal,” besides the terminal name, it is also necessary to define the “function name.” The function name indicates the actual functions of the terminal.
- When explaining the function for a terminal, the name used is its “function name”

### ✓ The difference between “on” and “turn on”:

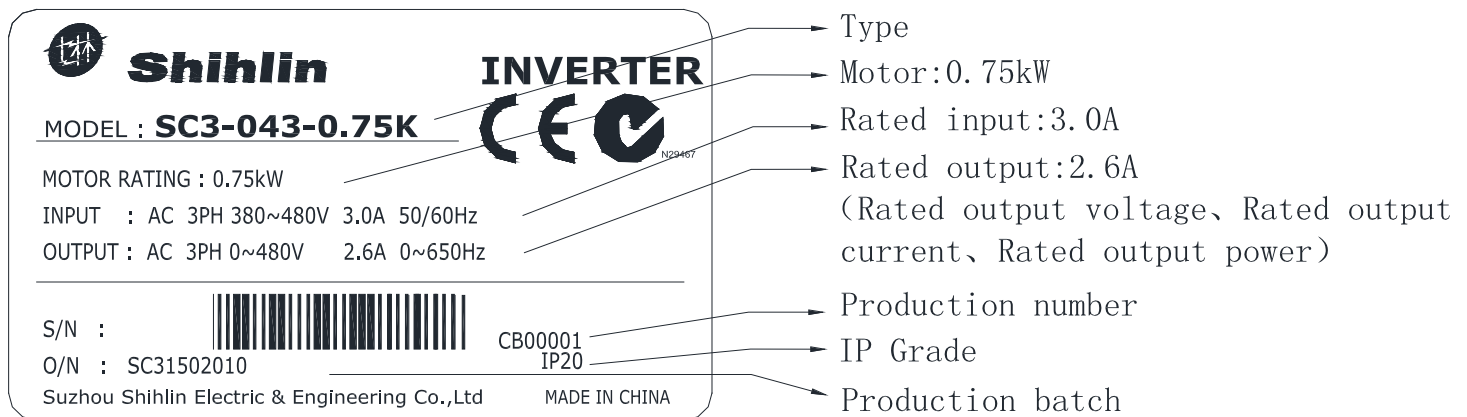
- When explaining the function for the “multi-function control terminal”, two words “on” and “turn on” are often used:
- The word “on” is used to indicate that the external switch of the terminal is in close state, and thus it belongs to the description of the state.
- The word “turn on” is used to describe the action that the external switch of the terminal is shut from the open state to the close state, and thus belongs to the description of action. Similarly, the words “off” and “turn off” belong to the above-mentioned states and actions.

## 2. DELIVERY CHECK

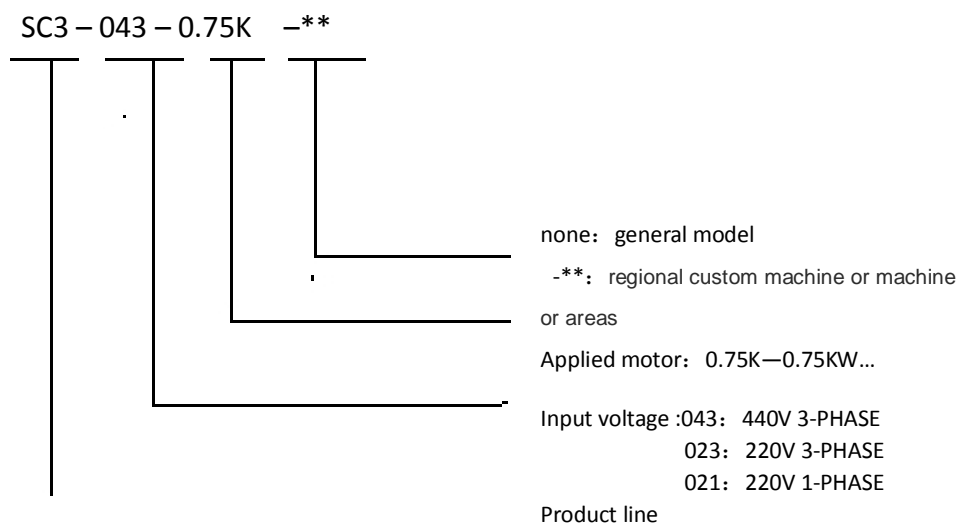
Each SC3-TYPE inverter has been checked thoroughly before delivery, and is carefully packed to prevent any mechanical damage. Please check for the following when opening the package.

- Checking out whether the product was damaged during transportation.
- Whether the model of inverter coincide with what is shown on the package.

### 2.1 Nameplate instruction



### 2.2 Type instruction



### 2.3 Order code description

Example:

Specification	Description	Order
SC3-043-1.5K	SC3 series 440V 1.5kW inverter	SNKSC30431R5K
SC3-043-3.7K	SC3series 440V 3.7kW inverter	SNKSC30433R7K
SC3-043-5.5K	SC3series 440V 5.5kW inverter	SNKSC30435R5K

### 3. INVERTER INTRODUCTION

#### 3.1 Electric specification

##### 3.1.1 440V series three-phase

Frame		A			B		
Model SC3-043-□□□K-□□		0.4	0.75	1.5	2.2	3.7	5.5
Output	Rated output capacity (kVA)	1	2	3	4.6	6.9	9.2
	Rated output current(A)	1.5	2.6	4.2	6	9	12
	Applicable motor capacity (HP)	0.5	1	2	3	5	7.5
	Applicable motor capacity (kW)	0.4	0.75	1.5	2.2	3.7	5.5
	Overload current rating	150% 60seconds 200% 1 second inverse time characteristics					
	Carrier frequency (kHz)	1~15kHz					
	Maximum output voltage	Three-phase 380-480V					
Power supply	Rated power voltage	Three-phase 380-480V 50Hz / 60Hz					
	Power voltage permissible fluctuation	Three-phase 323-528V 50Hz / 60Hz					
	Power frequency permissible fluctuation	±5%					
	Power source capacity (kVA)	1.5	2.5	4.5	6.9	10.4	11.5
Cooling method		Self cooling	Forced air cooling				
Inverter weight (kg)		1	1	1	1.6	1.6	1.7

## 3.1.2 220Vseries three-phase

Frame		A			B		
Model SC3-023-□□□K-□□		0.2	0.4	0.75	1.5	2.2	3.7
Output	Rated output capacity (kVA)	0.6	1.2	2	3.2	4.2	6.7
	Rated output current (A)	1.8	3	5	8	11	17.5
	Applicable motor capacity (HP)	0.25	0.5	1	2	3	5
	Applicable motor capacity (kW)	0.2	0.4	0.75	1.5	2.2	3.7
	Overload current rating	150% 60seconds 200% 1 second inverse time characteristics					
	Carrier frequency (kHz)	1~15kHz					
	Maximum output voltage	Three-phase 200-240V					
Power supply	Rated power voltage	Three-phase 200-240V 50Hz / 60Hz					
	Power voltage permissible fluctuation	Three-phase 170-264V 50Hz / 60Hz					
	Power frequency permissible fluctuation	±5%					
	Power source capacity (kVA)	0.75	1.5	2.5	4.5	6.4	10
Cooling method		Self cooling	Forced air cooling				
Inverter weight (kg)		1	1	1	1	1.6	1.6

3.1.3 220Vseries single-phase

Frame		A			B	
Model SC3-021-□□□K-□□		0.2	0.4	0.75	1.5	2.2
Output	Rated output capacity (kVA)	0.6	1	1.5	2.5	4.2
	Rated output current (A)	1.8	2.7	4.5	8	11
	Applicable motor capacity (HP)	0.25	0.5	1	2	3
	Applicable motor capacity (kW)	0.2	0.4	0.75	1.5	2.2
	Overload current rating	150% 60 seconds 200% 1second inverse time characteristics				
	Carrier frequency (kHz)	1~15kHz				
	Maximum output voltage	Three-phase 200-240V				
Power supply	Rated power voltage	Single-phase 200-240V 50Hz / 60Hz				
	Power voltage permissible fluctuation	Single-phase 170-264V 50Hz / 60Hz				
	Power frequency permissible fluctuation	±5%				
	Power source capacity (kVA)	0.75	1.5	2.5	3.5	6.4
Cooling method		Self cooling	Forced air cooling			
Inverter weight (kg)		1	1	1	1.6	1.6

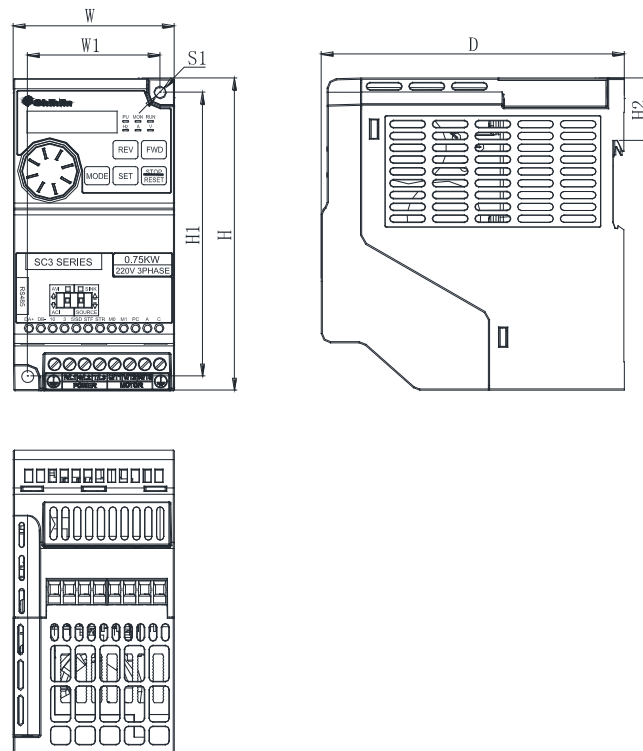


### 3.2 General specification

Control method		SVPWM control, V/F control, Domestic magnetic leads to volume control	
Output frequency range		0~650.00Hz	
Frequency setting resolution	Digital setting	The frequency is set within 100Hz, the resolution is 0.01Hz. The frequency is set more than 100Hz, the resolution is 0.1Hz.	
	Analog setting	DC 0~5V or 4~20mA signal set is 11 digits. DC 0~10V signal set is 12 digits.	
Output frequency accuracy	Digital setting	Maximum target frequency $\pm 0.01\%$ .	
	Analog setting	Maximum target frequency $\pm 0.1\%$ .	
Start torque		180% 3Hz, 200% 5Hz : Under the condition of magnetic to launch domestic quantity control	
V/F characteristics		Constant torque curve, variable torque curve, five-point curve	
Acceleration / deceleration curve characteristics		Linear acceleration / deceleration curve, S pattern acceleration / deceleration curve 1 & 2 & 3	
Drive motor		Induction motor (IM)	
Stalling protection		The stalling protection level can be set to 0~250% (06-01(P.22)). The default value is 200%.	
Target frequency setting		Parameter unit setting, DC 0~5V/10V signal, DC -10~+10V signal, DC 4~20 mA signal, multiple speed stage level setting, communication setting.	
Parameter unit	Operation monitoring	Output frequency, output current, output voltage, PN voltage, electronic thermal accumulation rate, temperature rising accumulation rate, output power, analog value input signal, output terminal status...; alarm history 12 groups at most, the last group of alarm message is recorded.	
	LED indication lamp (6)	frequency monitoring indication lamp, voltage monitoring indication lamp, current monitoring indication lamp, motor operation lamp, mode switching lamp, PU control indication lamp	
Communication function		RS-485 communication, can select Shihlin/Modbus communication protocol, communication speed 115200bps or above.	
Protection mechanism / alarm function		Output short circuit protection, Over-current protection, over-voltage protection, under-voltage protection, motor over-heat protection (06-00(P.9)), IGBT module over-heat protection, communication abnormality protection, to-earth (ground) leakage currents protection, circuit error detection...	
Environment		Ambient temperature	-10 ~ +50°C (non-freezing)
		Ambient humidity	Below 90%Rh (non-condensing).
		Storage temperature	-20 ~ +65°C.
		Surrounding environment	Indoor, no corrosive gas, no flammable gas, no flammable powder.
		Altitude	Altitude below 2000 meters, when altitude is above 1,000 m, derate the rated current 2% per 100 m
		Vibration	Vibration below 5.9m/ s <sup>2</sup> (0.6G).
		Grade of protection	IP20
		The degree of environmental pollution	II
		environmental pollution degree	2
		Class of protection	Class I
International certification		CE	

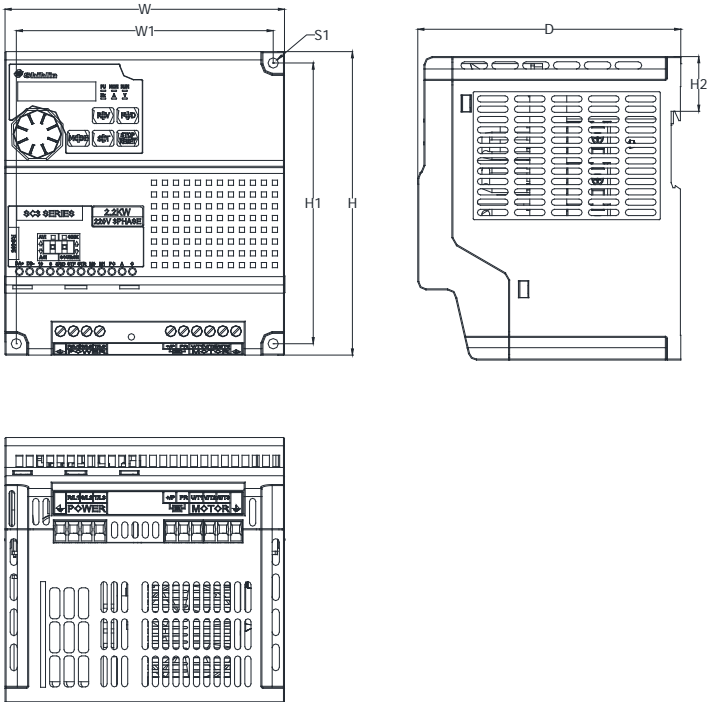
### 3.3 Appearance and dimensions

#### 3.3.1 Frame A



Unit:mm							
机种	W	W1	H	H1	H2	D	S1
SC3-021-0.2K	68	56	132	120	26.5	128	5
SC3-021-0.4K							
SC3-021-0.75K							
SC3-023-0.2K							
SC3-023-0.4K							
SC3-023-0.75K							
SC3-023-1.5K							
SC3-043-0.4K							
SC3-043-0.75K							
SC3-043-1.5K							

3.3.2 Frame B

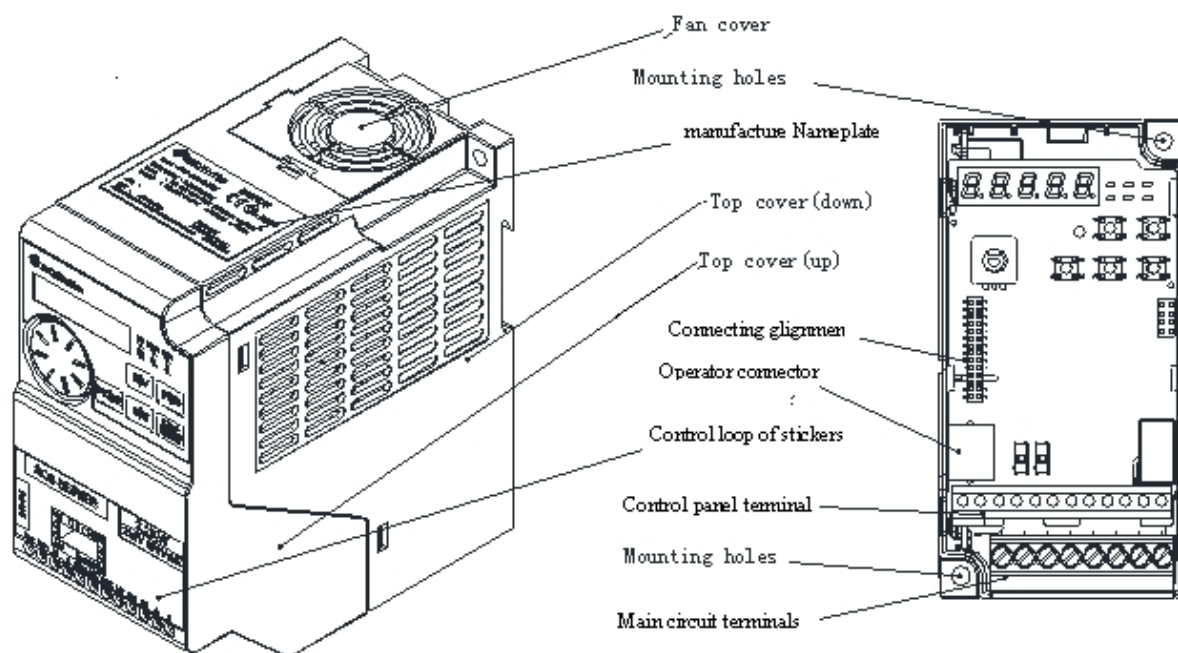


Unit: mm

机种	W	W1	H	H1	H2	D	S1
SC3-021-1.5K	136	125	147	136	26.5	128	5
SC3-021-2.2K							
SC3-023-2.2K							
SC3-023-3.7K							
SC3-043-2.2K							
SC3-043-3.7K							
SC3-043-5.5K							

### 3.4 Name of each component

#### 3.4.1 Frame A/B



## 3.5 Installation and wiring

### 3.5.1 Transportation

Take the pedestal when carrying and don't only take the cover or any part of the inverter, otherwise it may drop down.

### 3.5.2 Stockpile

Keep this product in the packaging before installation and when not in use. To change the frequency that meets the manufacturer's warranty and maintenance conditions, please pay attention to the following regarding storage:

1. Must be placed in dry and without dirt place.
2. The environment temperature for storage position must range from  $-20^{\circ}\text{C}$  to  $+65^{\circ}\text{C}$ .
3. The relative humidity for storage position must range from 0% to 95%, and no condensation.
4. Avoid storing in the environment which contains corrosion gas or liquid.
5. It had better be packed properly and kept on shelf or table.

Note: 1. Even if the humidity meets the standard requirements, icing and condensation can also occur when the temperature changes rapidly. And the place should avoid.

2. Don't place it on the ground, and it should be placed on appropriate shelf. If in the bad surroundings, the desiccant should be placed in the packaging bag.

3. If the custody period is more than 3 months, the ambient temperature should not be higher than  $30^{\circ}\text{C}$ . It is to consider that the character will easily degrade in high temperature when the electrolytic capacitors are deposited without electricity.

4. If the inverter is installed in device or control board when not in use (especially in construction site or the humid and dusty place), the inverter should be removed and put in suitable environment according with the above storage conditions.

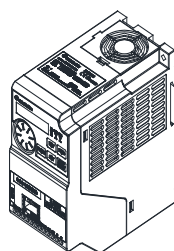
5. If the electrolytic capacitors are long-term no electricity, the character will degrade. Do not place it in the state of no electricity for more than one year.

### 3.5.3 Installation notice

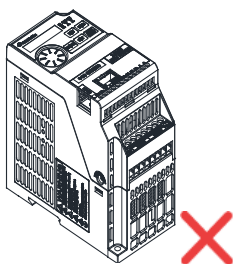
✓ Before installing, please confirm whether meet the conditions listed in the table below:

Ambient temperature	$-10 \sim +50^{\circ}\text{C}$ (non-freezing)
Ambient humidity	90%Rh 以下(non-condensing).
Storage temperature	$-20 \sim +65^{\circ}\text{C}$ .
Surrounding environment	Indoor, no corrosive gas, no flammable gas, no flammable powder.
Altitude	Altitude below 3000 meters, when altitude is above 1,000 m, derate the rated current 2% per 100 m.
Vibration	Vibration below $5.9\text{m/s}^2$ (0.6G).
Grade of protection	IP20
Class of protection	2

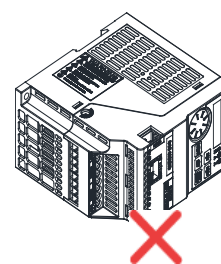
✓ Please ensure vertical arrangement to keep the cooling effect:



(a) Vertical arrangement



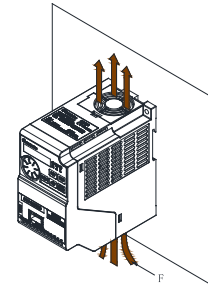
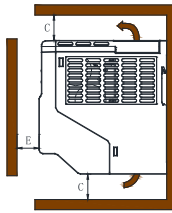
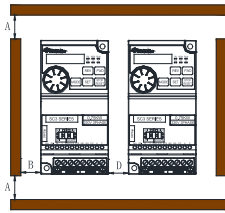
(b) Horizontal arrangement



(c) Level arrangement

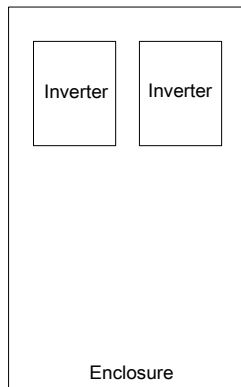
✓ Please comply with installation conditions shown below to ensure enough ventilation space and wiring space for inverter cooling:

- Arrangement of single or paralleling inverter:

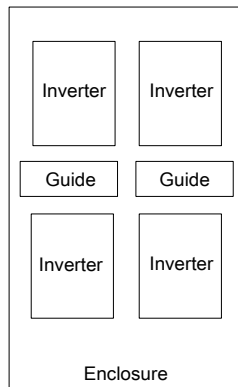


Size	Frame A	Frame B
A	50	50
B	50	50
C	100	100
D	50	50
E	50	50
F	Air direction	

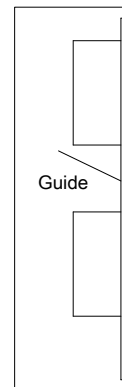
- Arrangement of multiple inverters:



(a) Horizontal arrangement



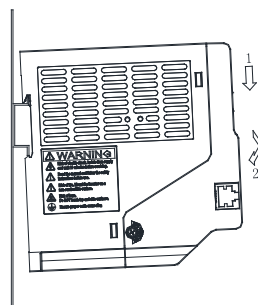
(b) Vertical arrangement



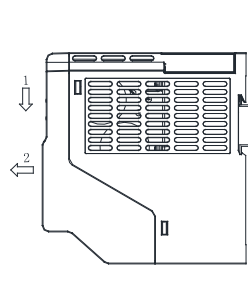
Note1. When mounting inverters of different sizes in parallel, please align the clearance above each inverter to install, which is easy to change the cooling fan

2. When it is inevitable to arrange inverters vertically to minimize space, take such measures as to provide guides since heat from the bottom inverters can increase the temperatures in the top inverters, causing inverter failures.

- Installation of DIN rail :



(a) installation



(b) disassembly

### 3.5.4 EMC installation instructions

Just as other electrical and electronic equipments, an inverter is the source of electromagnetic interference and an electromagnetic receiver when working with a power system. The amount of electromagnetic interference and noise is determined by the working principles of an inverter. In order to guarantee the inverter working reliably in the electromagnetic environment, it must have a certain ability of anti-electromagnetic interference in design. In order to make the drive system work normally, please meet the following several aspects requirements in installation:

#### ✓ Field wiring

Power line supply electric independently from power transformer, five or four core line are generally used, null line and ground sharing a single line is forbidden.

Commonly signal wire (weak) and power wire (heavy) are in control cabinet, for the inverter, power wire is divided into input line and output line. Signal wire is easily interfered by power wire, so that causing the misoperation of the device. When wiring, signal wire and power wire should be distributed in different areas, parallel lines and interlaced lines are forbidden at close range (within 20cm), and especially don't bundle up the two lines. If the signal cables must pass via the power lines, the two should keep 90 degree Angle. Interlace lines and banding together is also forbidden for the input and output line of power wire, especially on the occasions which noise filter is installed. It will cause the coupling of electromagnetic noise via the distributed capacitance of the input and output lines, thus the noise filter will out of action.

Generally a control cabinet has different electric equipments such as inverter, filter, PLC, measurement instrument, their ability of emitting and bearing electromagnetic noise are diverse from each other, and this requires classifying these equipments. The classification can be divided into strong noise equipment and noise sensitive equipment, Install the similar equipments in the same area and, and keep a distance more than 20cm among inhomogeneous equipments.

#### ✓ Input noise filter, input and output magnet ring (Zero phase reactor)

Adding noise filter to the input terminal, the inverter will be isolated from the other equipments, and its ability of conduction and radiation will be reduced effectively. The better EMI suppression effect will be obtained by installing the input reactor recommended by this manual. By adding winding ferrite bead to the input and output terminal and coordinating with internal filter, the inverters will have a better effect.

#### ✓ Shielding

Good shielding and grounding can greatly reduce the interference of inverter, and can improve the anti-interference ability of the inverter. Sealing off the inverter with the good conductive sheet metal and connecting the sheet metal to ground, the radiation interference will be reduced effectively. To reduce the interference of inverter and improve the anti-interference ability, cable with shielding layer should be used in input and output and the both ends of it should be connected to ground. Shielding cable is suggested to be used in control connecting and communication connecting of the inverter external terminals under bad electromagnetic environment. Generally, the both ends of shielding layer should be connected to the control /communication ground, and they can also be connected to ground.

#### ✓ Grounding

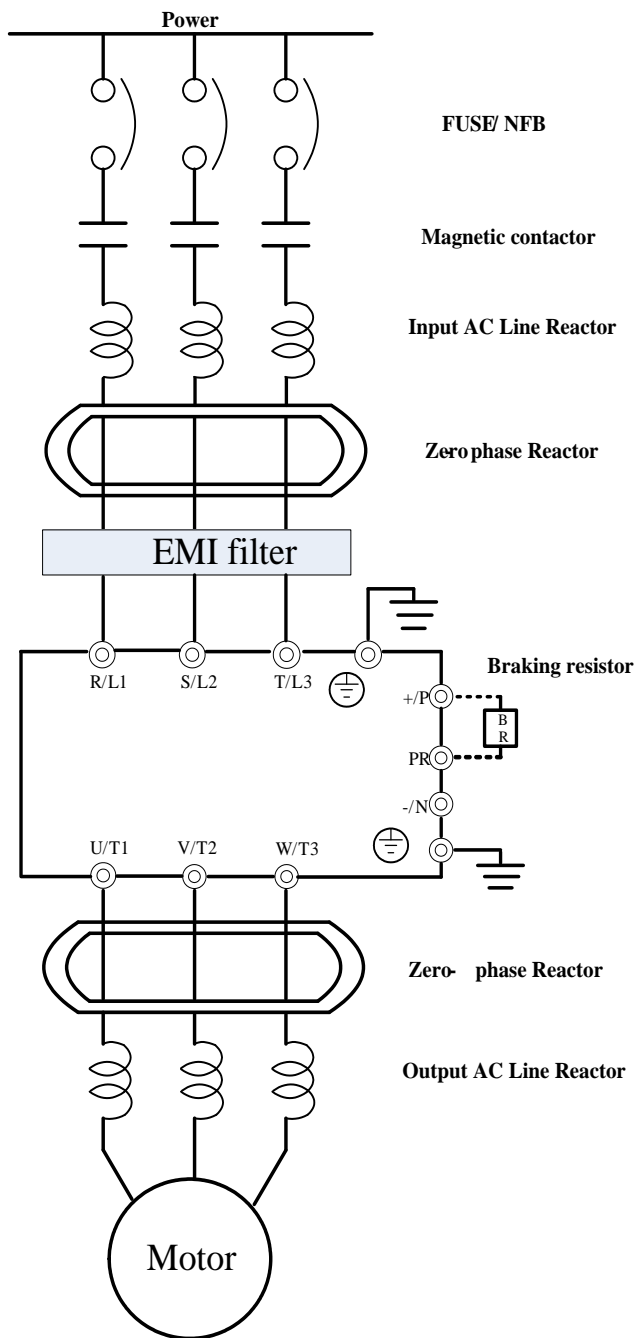
The inverter must be connected to the ground safely and reliably. Grounding is not only for equipment and personal safety, but also the simplest, the most efficient and the lowest cost method to solving the EMC problem, so it should be prioritized. Please refer to the section of "3.7 Terminal wiring".

#### ✓ Carrier wave

The leakage current contains the leakage current from line to line or over the ground. It depends on the size of the distributed capacitance when wiring and the carrier frequency of the frequency. The higher the carrier frequency, the longer the motor cable, and the larger the cable cross-sectional area is, the larger the leakage current is. Reducing the carrier frequency can effectively reduce the leakage current. When the motor line is long (50m above), the output side should be installed with ac reactor or sine wave filter, when the motor line is longer, a reactor should be installed every other distance. At the same time, reducing carrier frequency can effectively reduce the conduction and radiation interference.

### 3.6 Peripheral devices

#### 3.6.1 System Wire Arrangement



Power supply	Please follow the specific power supply requirement shown in this manual.
Fuse/NFB	There may be an inrush current during power up. Please refer to 3.6.1 and select the correct fuse /NFB.
Magnetic contactor	Please do not use a Magnetic contactor as the I/O switch of the inverter, as it will reduce the operating life cycle of the inverter.
Input AC Line Reactor	AC line reactor should be installed to improve the input power factor. The wiring distance should be less than 10m. Please refer to 3.6.6.
Zero-phase Reactor	Zero-phase reactors are used to reduce radio noise especially when audio equipment installed near the inverter. Effective for noise reduction on both the input and output sides. Attenuation quality is good for a wide range from AM band to 10MHz. Please refer to 3.6.5.
EMI filter	Used to reduce electromagnetic interference.
Braking unit	Used to reduce stopping time of the motor.
Output AC Line Reactor	Motor surge voltage amplitudes depending on motor cable length. The output AC line reactor is necessary to install on the inverter output side. Please refer to 3.6.6.



## 3.6.2 No-fuse switch and magnetic contactor

Inverter model	Motor capacity	Power source capacity	Applicable no-fuse switch (NFB/MCCB) type (Shihlin Electric)	Applicable electromagnetic contactor (MC) type (Shihlin Electric)
SC3-043-0.4K	440V 0.5HP	1 kVA	BM30SN3P3A	S-P11
SC3-043-0.75K	440V 1HP	2kVA	BM30SN3P5A	S-P11
SC3-043-1.5K	440V 2HP	3kVA	BM30SN3P10A	S-P11
SC3-043-2.2K	440V 3HP	2.5kVA	BM30SN3P15A	S-P21
SC3-043-3.7K	440V 5HP	4.5kVA	BM30SN3P20A	S-P21
SC3-043-5.5K	440V 7.5HP	6.4kVA	BM30SN3P30A	S-P21
SC3-023-0.2K	220V 0.25HP	0.25kVA	BM30SN3P5A	S-P11
SC3-023-0.4K	220V 0.5HP	0.5kVA	BM30SN3P5A	S-P11
SC3-023-0.75K	220V 1HP	1 kVA	BM30SN3P10A	S-P11
SC3-023-1.5K	220V 2HP	2 kVA	BM30SN3P15A	S-P11
SC3-023-2.2K	220V 3HP	3 kVA	BM30SN3P20A	S-P11 / S-P12
SC3-023-3.7K	220V 5HP	5 kVA	BM30SN3P30A	S-P21
SC3-021-0.2K	220V 0.25HP	52 kVA	BM30SN3P5A	S-P11
SC3-021-0.4K	220V 0.5HP	65 kVA	BM30SN3P5A	S-P11
SC3-021-0.75K	220V 1HP	79 kVA	BM30SN3P10A	S-P11
SC3-021-1.5K	220V 2HP	99 kVA	BM30SN3P15A	S-P11
SC3-021-2.2K	220V 3HP	110kVA	BM30SN3P20A	S-P11/ S-P12

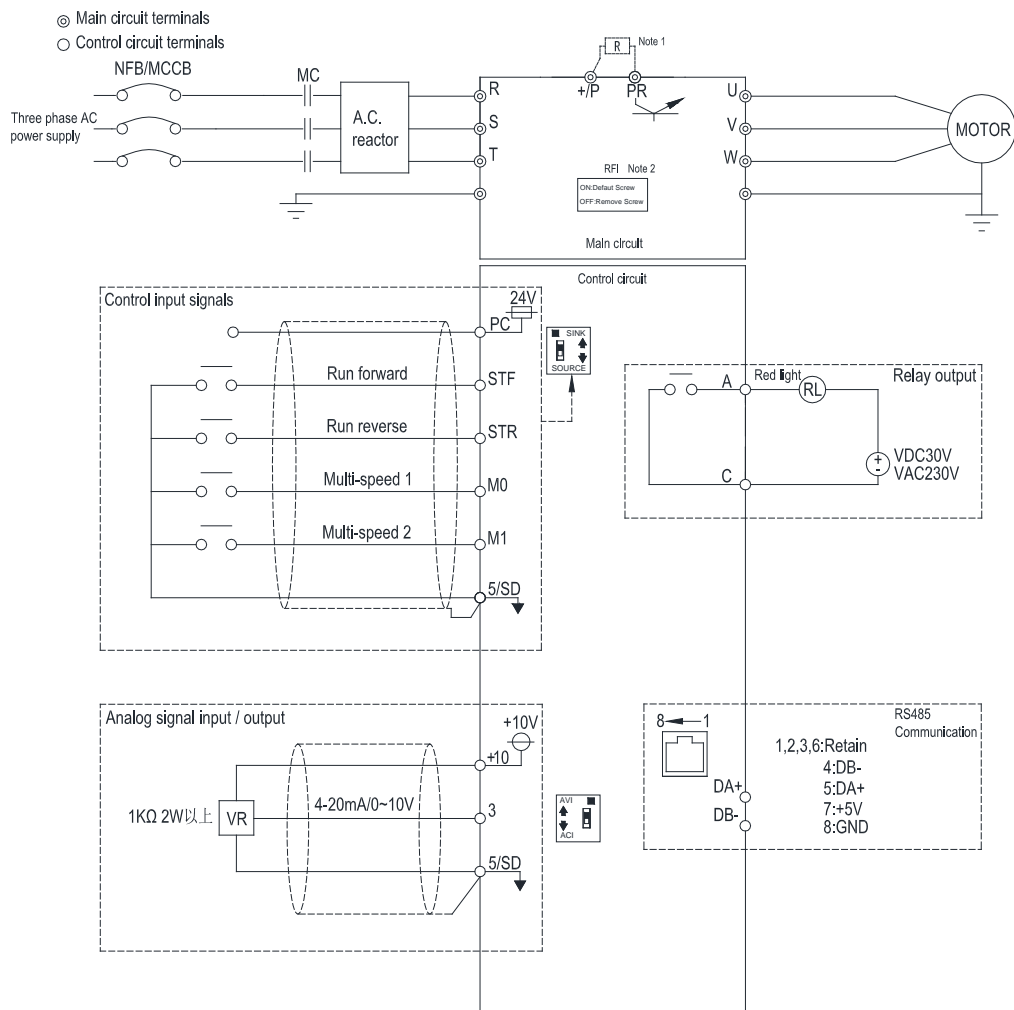
## 3.6.3 Retrograde Brake Resistor

Inverter model	Retrograde brake resistor specification
SC3-043-0.4K	80W 1000Ω
SC3-043-0.75K	100W 800Ω
SC3-043-1.5K	200W 320Ω
SC3-043-2.2K	300W 160Ω
SC3-043-3.7K	500W 120Ω
SC3-043-5.5K	1000W 75Ω
SC3-023-0.2K	100W 220Ω
SC3-023-0.4K	100W 220Ω
SC3-023-0.75K	150W 120Ω
SC3-023-1.5K	300W 60Ω
SC3-023-2.2K	300W 60Ω
SC3-023-3.7K	400W 40Ω
SC3-021-0.2K	100W 220Ω
SC3-021-0.4K	100W 220Ω
SC3-021-0.75K	150W 120Ω
SC3-021-1.5K	300W 60Ω
SC3-021-2.2K	300W 60Ω

Note: 1. For brake resistor whose built-in brake unit offers model options, the capacity of the regenerative brake is based on the condition that the regenerative brake duty is 10% (when braking lasts for 5 seconds, the machine has to be stopped for another 45 seconds must be stopped for heat dissipation). For models without a built-in brake unit, the capacity of the regenerative brake is based on the brake duty of the selected brake unit. The regenerative brake resistor wattage can be reduced according to the user's application (quantity of heat) and the regenerative brake duty. But the resistance must be larger than the value (ohms) listed in the above table (otherwise the inverter will be damaged).

2. In case frequent start and stop operations are required, a larger regenerative brake duty should be set. Meanwhile, a large brake resistor should be employed correspondingly. Please feel free to contact us if there is any problem regarding the selection of brake resistors.

## 3.7 Terminal wire arrangement




Note 1 : SC3-043-0.4K~1.5K , SC3-023-0.2~1.5K , SC3-021-0.2~0.75K have not + / P and PR terminals.

Note 2 : Full range of built-in RFI filter to suppress electromagnetic interference, but if you want to meet CE standard, please refer to the instructions in the operating manual for installation.

### 3.7.1 Maincircuit Terminals

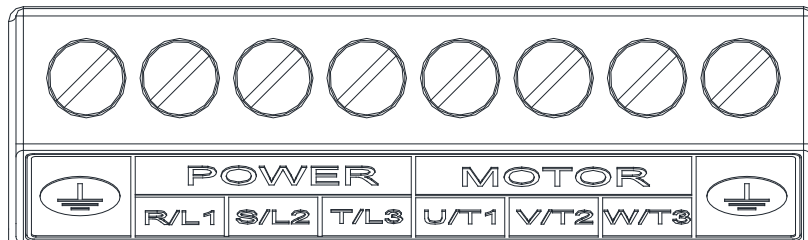
✓ Description

Terminal symbol	Description
R/L1-S/L2-T/L3	Connect to the commercial power supply
U/T1-V/T2-W/T3	Connect to the three-phase squirrel-cage motor.
(+P)-PR	Connect to the brake resistor. (B framework built-in brake unit)
	ground terminal

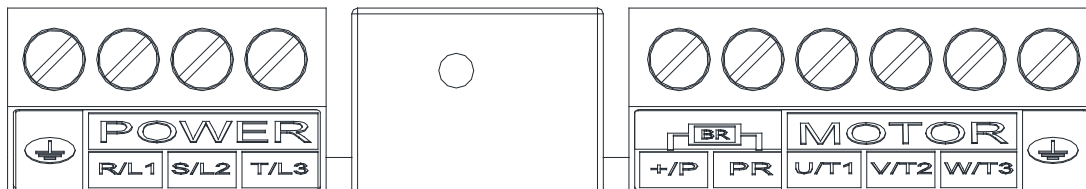
Note: 1.Frame A don't have "brake unit" and the terminals +/P and PR.

✓ Terminal layout of the main circuit terminals

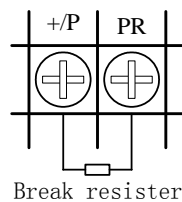
- Frame A



- Frame B



✓ Brake unit connection



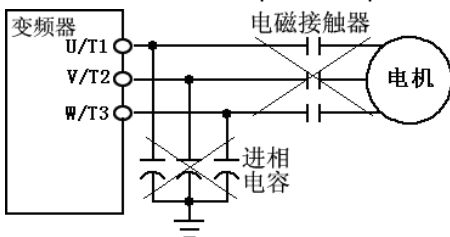
Note: It is only suitable for frame B corresponded inverters. Please refer to Section 3.3 for instruction on the frames.

## 3.7.2 Main circuit wiring and terminal specification

Inverter model	Terminal screw specifications	Tightening torque (Kgf.cm)	Recommended wiring specification (mm <sup>2</sup> )				Recommended wiring specification (AWG)			
			R,S,T	U,V,W	+P,P1	Grounding Cable	R,S,T	U,V,W	+P,P1	Grounding Cable
SC3-021-0.2K	M3	4~6	2.5	1.5	---	1.5	14	16	---	16
SC3-023-0.2K			1.5	1.5	---	1.5	16	16	---	16
SC3-043-0.4K			1.5	1.5	---	1.5	16	16	---	16
SC3-021-0.4K			2.5	2.5	---	2.5	14	14	---	14
SC3-023-0.4K			2.5	2.5	---	2.5	14	14	---	14
SC3-043-0.75K			2.5	2.5	---	2.5	14	14	---	14
SC3-021-0.75K			2.5	2.5	---	2.5	14	14	---	14
SC3-023-0.75K			2.5	2.5	---	2.5	14	14	---	14
SC3-043-1.5K			2.5	2.5	---	2.5	14	14	---	14
SC3-023-1.5K			2.5	2.5	---	2.5	14	14	---	14
SC3-021-1.5K			2.5	2.5	2.5	2.5	14	14	14	14
SC3-043-2.2K			2.5	2.5	2.5	2.5	14	14	14	14
SC3-021-2.2K			4	4	4	4	12	12	12	12
SC3-023-2.2K			4	4	4	4	12	12	12	12
SC3-043-3.7K			2.5	2.5	2.5	2.5	10	14	14	14
SC3-043-5.5K			2.5	2.5	2.5	2.5	14	14	14	14
SC3-023-3.7K			4	4	4	4	12	12	12	12

Note: 1. Don't directly connect power input line with motor terminals (U/T1) - (V/T2) - (W/T3) of the converter, otherwise will cause the damage of the inverter.

2. Don't add into the phase capacitor, surge absorber and electromagnetic contactor on the output of the inverter.



3. Do not use the power of the online "electromagnetic contactor" or "no fuse switch" to start and stop the motor.

4. Please do implement chassis grounding of the inverter and motor, avoiding electric shock.

5. The specifications of the no-fuse switch and the electromagnetic contactor, please refer to the section 3.6.2.

6. If the distance between the inverter and motor is longer, please use thick wires, make sure wire pressure dropping under 2V (wire length below 500 meters).

7. The connection of the power supply side and load side use "insulation sleeve crimping terminal".

8. After terminal power outage, in a short time, high voltage still exist between (+/P) and (-/N). Within 10 minutes, do not touch terminals, in order to avoid electric shock.



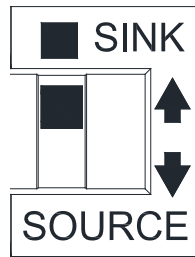
## 3.7.5 Control circuit

## ✓ Control terminal name

Terminal type	Terminal name	Function instructions	Terminal specifications
Digital signal input	STF	There are totally 4 multi-function control terminals, which can switch mode of SINK/SOURCE.	Input impedance: 4.7 kΩ Action current:5mA(when 24VDC) Voltage range: 10~28VDC Maximum frequency: 1kHz
	STR		
	M0		
	M1		
Analogsignal input	10	+10.5±0.5V	Maximum current:10mA
	3	0~10V/4~20mA	Input impedance:10 kΩ
Relay output	A	Multi-function relay output terminals. A-C is the normally open contact, C is common terminal.	Maximum voltage:30VDC or 250VAC Maximum current: Resistor load 5A NO/3A NC Inductance load2A NO/1.2A NC (cosΦ=0.4)
	C		
Communication terminal	RJ45	RS-485, optical isolation RJ45 and"DA+/DB-"cannot be used at the same time.	Highest rate:115200bps Longest distance:500m
	DA+		
	DB-		
Common terminal	5/SD	The public terminal of STF,STR, M0, M1, three terminals, is (SINK)	---
	PC	The public terminal of terminal STF, STR, M0, M1 is (SOURCE)	---

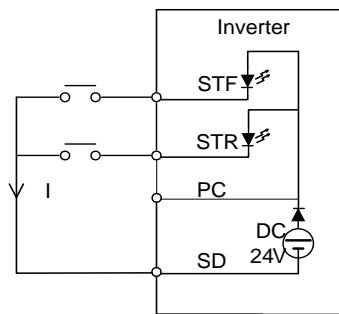
✓ Control logic (SINK/SOURCE) change

The multi-function control terminal of SC3 series inverter can select the sink input approach or the source input approach via the toggle switch SW5. The diagram is as follows

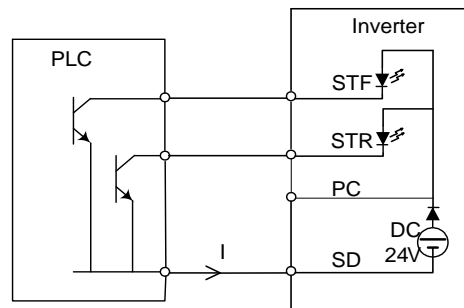


No matter what kind of multi-function control terminal is, all of its outside wire arrangement can be considered as a simple switch. If the switch is “on,” the control signal will be put into the terminal. If the switch is “off,” the control signal is shut off.

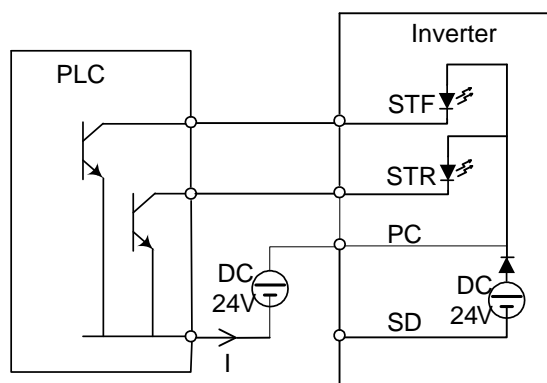
If "Sink Input" mode is selected, the function of the terminal is active when it is shorted with SD or connected with the external PLC. In this mode, the current flows out of the corresponding terminal when it is “on”. Terminal “SD” is common to the contact input signals. When using an external power supply for output transistor, please use terminal PC as a common to prevent misoperation caused by leakage current.



Sink Input: the multi-function control terminal is shorted directly with SD



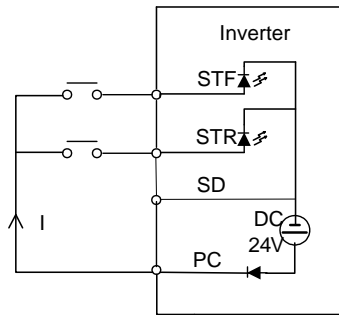
Sink Input: the multi-function control terminal is connected directly with open-collector PLC



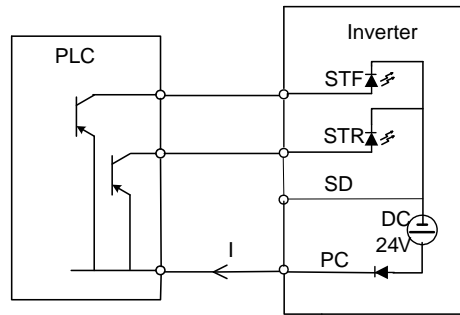
Sink Input: the multi-function control terminal is connected with open-collector PLC and external power supply

If "Source Input" mode is selected, the function of the terminal is active when it is shorted with PC or connected with the external PLC. In this mode, the current flows into the corresponding terminal when it is “on”. Terminal PC is common to the contact input signals. When using an external power supply for transistor, please use terminal SD as a common to prevent misoperation caused by leakage current.

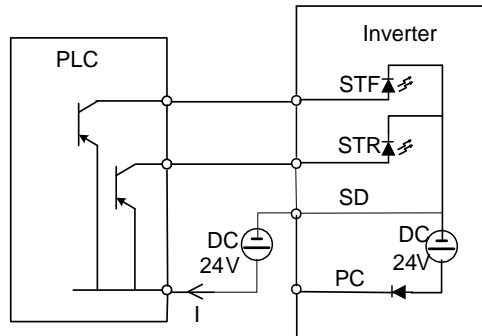




Source Input: the multi-function control terminal is shorted directly with PC

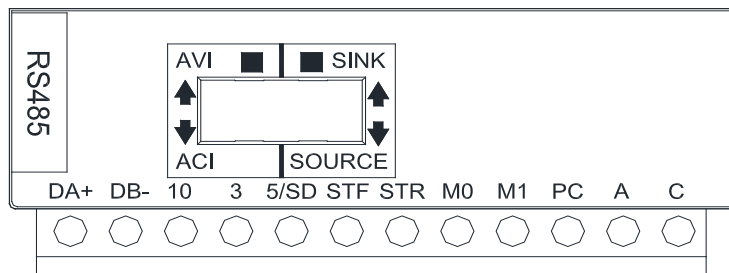


Source Input: the multi-function control terminal is connected directly with open-emitter PLC



Source Input: the multi-function control terminal is connected with open-emitter PLC and external power supply

✓ Arrangement of control terminal

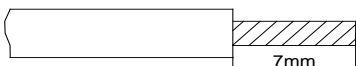


● Power supply connection

For the control circuit wiring, strip off the sheath of a cable, and use it with a blade terminal. For a single wire, strip off the sheath of the wire and apply directly.

- (1) Strip off the sheath for the below length. If the length of the sheath peeled is too long, a short circuit may occur with neighboring wires. If the length is too short, wires might come off.

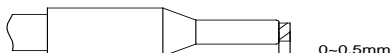
Wire the stripped cable after twisting it to prevent it from becoming loose. In addition, do not solder it.



- (2) Crimp the blade terminal.

Insert wires to a blade terminal, and check that the wires come out for about 0 to 0.5 mm from a sleeve.

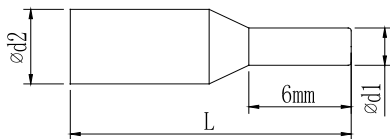
Check the condition of the blade terminal after crimping. Do not use a blade terminal of which the crimping is inappropriate, or the face is damaged.



## Terminal wire arrangement

- Please do use blade terminals with insulation sleeve. Blade terminals commercially available:

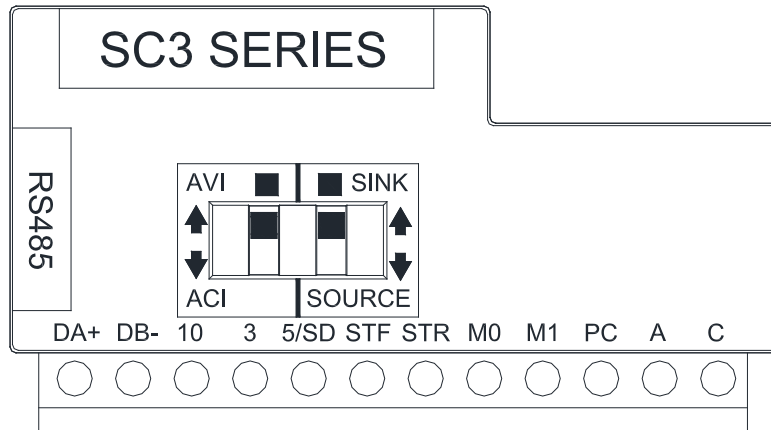
Cable gauge (mm <sup>2</sup> )	Blade terminals model	L (mm)	d1 (mm)	d2 (mm)	Manufacturer	Crimping tool product
0.3	AI 0,25-6 WH	10.5	0.8	2	Phoenix Contact Co., Ltd.	CRIMPFOX 6
0.5	AI 0,5-6 WH	12	1.1	2.5		
0.75	AI 0,75-6 GY	12	1.3	2.8		
0.75 (for two wires)	AI-TWIN 2×0,75-6 GY	12	1.3	2.8		







Note:1. Please Use a small flathead screwdriver (tip thickness: 0.6mm, width: 3.0mm). If a flathead screwdriver with a narrow tip is used, terminal block maybe damaged.

2. Tightening torque is 3.2~4.8kgf.cm, too large tightening torque can cause screw slippage, too little tightening torque can cause a short circuit or malfunction.

## ✓ Toggle switch



Switch number	Switch state	Explanation	Remarks
SINK/SOURCE	 *	Switch the input models“STF、STR、M0、M1”	
			
AVI/ACI	 *	Input 0~10V voltage signal into terminal 3-5	
		Input 4~20mA current signal into terminal 3-5	

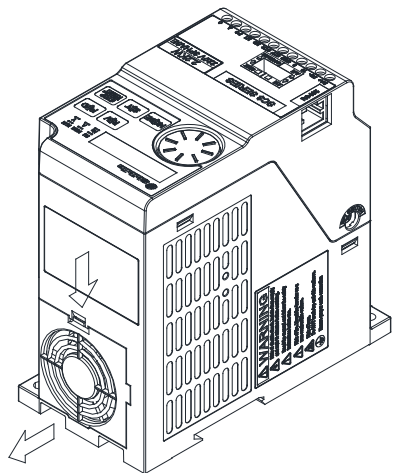
Note: 1. The state with “\*” is the default state of switch.

2. The parts in black stand for switch handle.

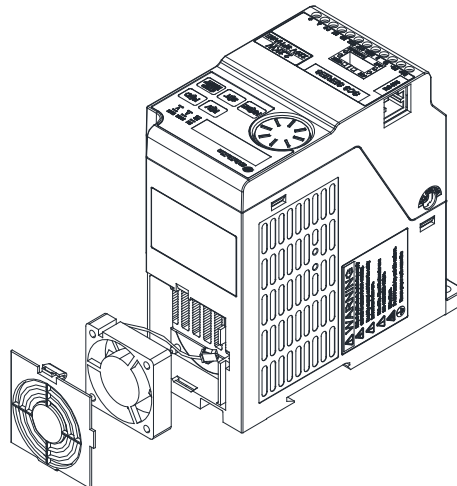
### 3.8 Replacement procedure of fan

#### 3.8.1 Frame A/B

1. Press the hooks on both side of the fan to remove the fan. (As shown below.)

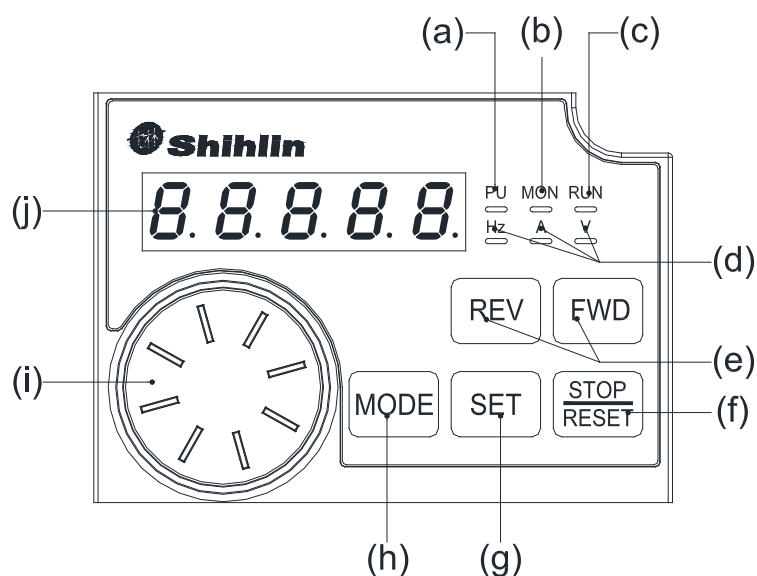


2. Disconnect the power terminal, and then remove the fan. (As shown below.)



## 4. PRIMARY OPERATION

### 4.1 Component name of parameter unit (PU301)



NO.	Operation parts	Name	Content
(a)	PU —	Operation mode indicator	PU: ON to indicate the PU operation mode, flickers in the H1~H5 operation mode.
(b)	MON —	Parameter unit status indicator	MON: ON to indicate the monitoring mode.
(c)	RUN —	Run button	The light is on when running.
(d)	Hz A V — — —	Unit indicator	Hz:ON to indicate the frequency. A:ON to indicate the output frequency. V:ON to indicate the selected monitoring item.
(e)	REV FWD	FWD button    REV button	FWD: Starts forward rotation. The LED is on during forward operation. REV: Starts reverse rotation. The LED is on during reverse operation.
(f)	STOP RESET	STOP/RESET button	Stops the operation commands. Resets the inverter for alarm.
(g)	SET	Set button	Click the button for a long time, write into the parameter value and frequency etc. Click the button for a short time, read the parameter value and will enter the next menu.
(h)	MODE	MODE button	Switches to different modes.
(i)		M Setting dial	The function of clockwise rotation equals to UP button. The function of anticlockwise rotation equals to DOWN button.
(j)	8.8.8.8.8.	Monitor (5-digit LED)	Shows the frequency, parameter number, and parameter value, etc.

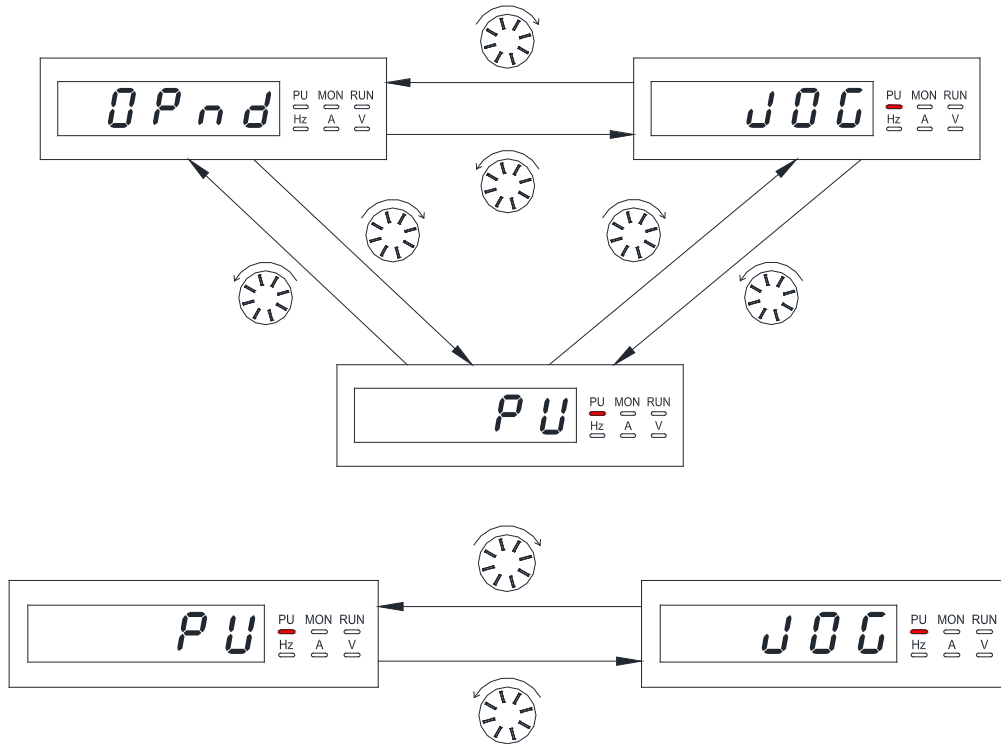
## 4.2 Operation modes of the inverter

- The operation modes are related to the reference source of the target frequency and the signal source of the motor starting. The Shihlin SC3 inverter has a total of ten kinds of operation modes, namely, "PU mode  $PU$ ", "JOG mode  $JOG$ ", "external mode  $OPnd$ ", "communication mode  $CU$ ", "combined mode  $1H1$ ", "combined mode  $2H2$ ", "combined mode  $3H3$ ", "combined mode  $4H4$ " and "combined mode  $5H5$ " and the second operation mode.
- You can use parameter unit to monitor the output frequency, the output voltage and the output current, as well as to view the alarm message, the parameter setting and the frequency setting. The operator has four work modes, namely, "operation mode", "monitoring mode", "frequency setting mode" and "parameter setting mode".

Related parameters	Values	Operation mode	The reference source of target frequency	The signal source of motor starting	Remarks
Operation mode selection 00-16(P.79)	0	PU mode ( $PU$ )	PUparameter unit	<input type="button" value="FWD"/> or <input type="button" value="REV"/> button for PU parameter unit	The "PU mode", "JOG mode" and "external mode" are interchangeable.
		JOGmode ( $JOG$ )	The setting value of 01-13(P.15)	<input type="button" value="FWD"/> or <input type="button" value="REV"/> button for PU parameter unit	
		External mode( $OPnd$ )	"External voltage/current signal", "combination of multi-speed stage levels" and external JOG(01-13(P.15))	External forward and reverse terminals	
			Frequency given by (03-09(P.550)) Frequency of each section in the programmed operation mode 04-19~ 04-26 /P.131~P.138	External STF terminal	
	1	PUmode ( $PU$ )	Equal to the "PU mode" when 00-16(P.79) = 0	The "PU mode" and "JOG mode" are interchangeable.	
		JOGmode ( $JOG$ )	Equal to the "PU mode" when 00-16(P.79) = 0		
	2	External mode( $OPnd$ )	Equal to the "External mode" when 00-16(P.79) = 0		
	3	Communication mode( $CU$ )	Communication	Communication	
	4	Combined mode 1 ( $H1$ )	PUparameter unit	External forward and reverse terminals	
	5	Combined mode 2 ( $H2$ )	"External voltage / current signal", "combination of multi-speed stage levels", frequency given by pulse(03-09(P.550))	<input type="button" value="FWD"/> or <input type="button" value="REV"/> button for PU parameter unit	
6	Combined mode 3 ( $H3$ )	Communication, "combination of multi-speed stage levels" and External JOG(01-13(P.15))	External forward and reverse terminals		
7	Combined mode 4 ( $H4$ )	"External voltage / current signal", "combination of multi-speed stage levels", frequency given by pulse(03-09(P.550))	Communication		
8	Combined mode 5 ( $H5$ )	PU operation panl, "combination of multi-speed stage levels" and External JOG (01-13(P.15))	External forward and reverse terminals		

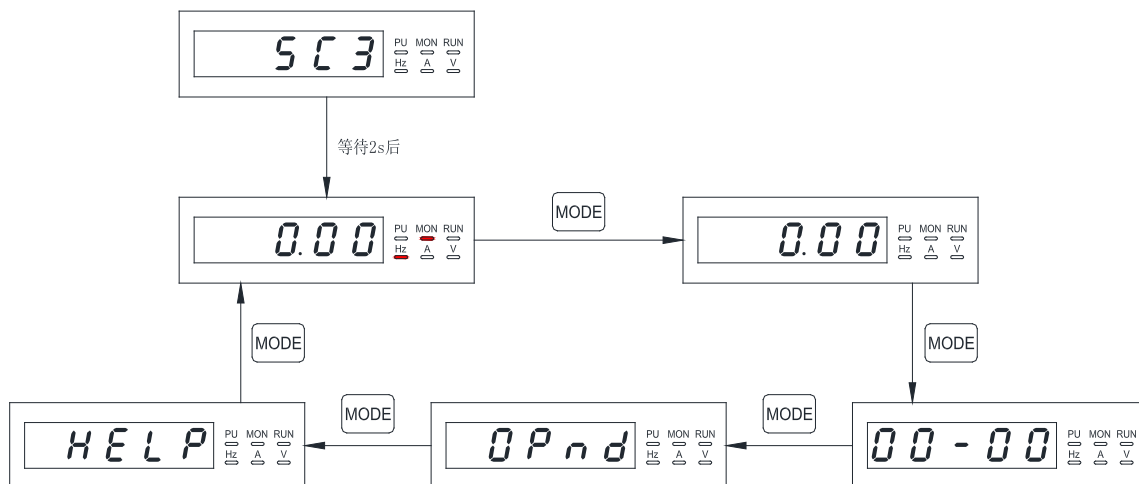
- ◆ When 00-16(P.79) = 0, the external mode ( $OPnd$ ) is the default mode after the inverter is turned on. Use 00-16(P.79) to switch the operation mode.

#### 4.2.1 The flow chart for switching the operation mode



- Note: 1. In "PU mode", parameter unit screen displays *PU*, and the indicating lamp **PU** will light up.  
 2. In "external mode," parameter unit screen displays *OPnd*  
 3. In "combined mode 1, 2, 3, 4, or 5", the indicating lamp **PU** will glittr on the parameter unit screen.  
 4. In "JOG mode", the indicating lamp **PU** will light up, and the screen shows *JOG* when the motor isn't running.  
 5. No flow chart when 00-16(P.79)=2, 3, 4, 5, 6, 7 or 8 because the operation mode will be constant.

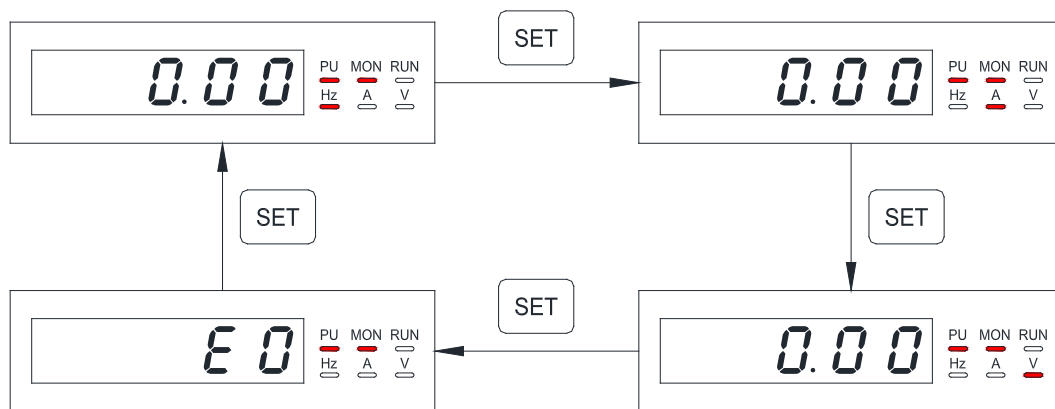
#### 4.2.2 The flow chart for switching the working mode with PU301 parameter unit



- Note: 1. Please refer to section 4.2.3 for the detailed operation flow under the monitoring mode.  
 2. Please refer to section 4.2.4 for the detailed operation flow under the frequency setting mode.  
 3. Please refer to section 4.2.5 for the detailed operation flow under the parameter setting mode.  
 4. Please refer to Section 4.2.1 for detailed operation flow under the switching operation mode.  
 5. Please refer to Section 4.2.6 for the HELP mode of operation process in detail.

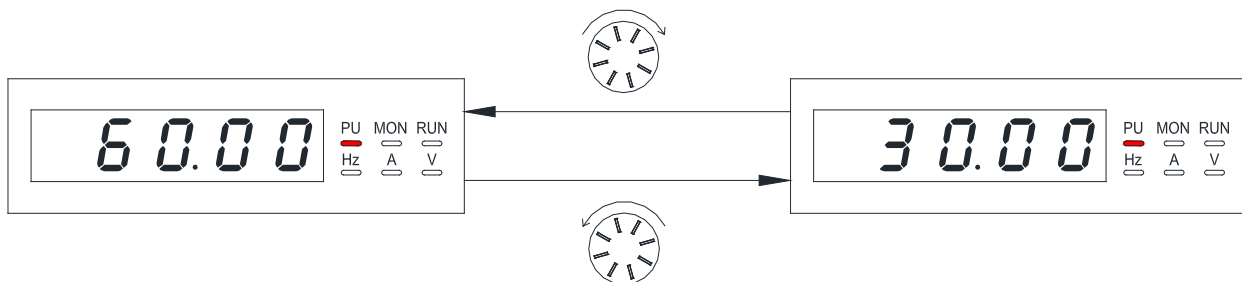
### 4.2.3 The operation flow charts for monitoring mode with PU301


•Take PU mode for example:



- Note: 1. In the “monitoring output frequency mode”, indicating lamp **MON** and **Hz** will light up, and the screen will display the current output frequency.
2. In the “monitoring output voltage mode”, indicating lamp **MON** and **V** will light up, and the screen will display the current output voltage.
3. In the “monitoring output current mode”, indicating lamp **MON** and **A** will light up, and the screen will display the current output current.
4. When in the “browsing alarm record mode,” indicating lamp **MON** will light up, and the screen will display the current alarm code.
5. For alarm codes, please refer to Appendix 2.

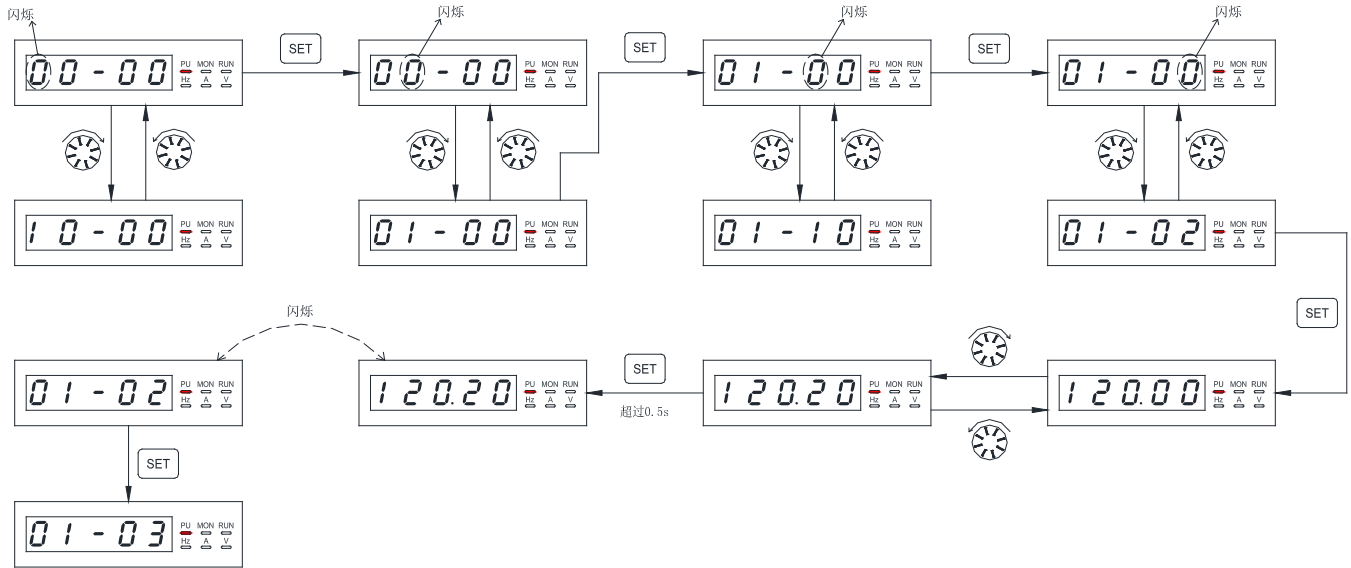
### 4.2.4 Operation flow charts for frequency setting mode with PU301



- Note: 1. Use  to change the frequency when the inverter is running.
2. Indicating lamp **Hz** will light up, but not **MON** under the frequency setting mode.
3. When setting the frequency under the PU mode, the set value can not exceed the upper frequency. When high frequency is needed, the upper frequency should be changed first.

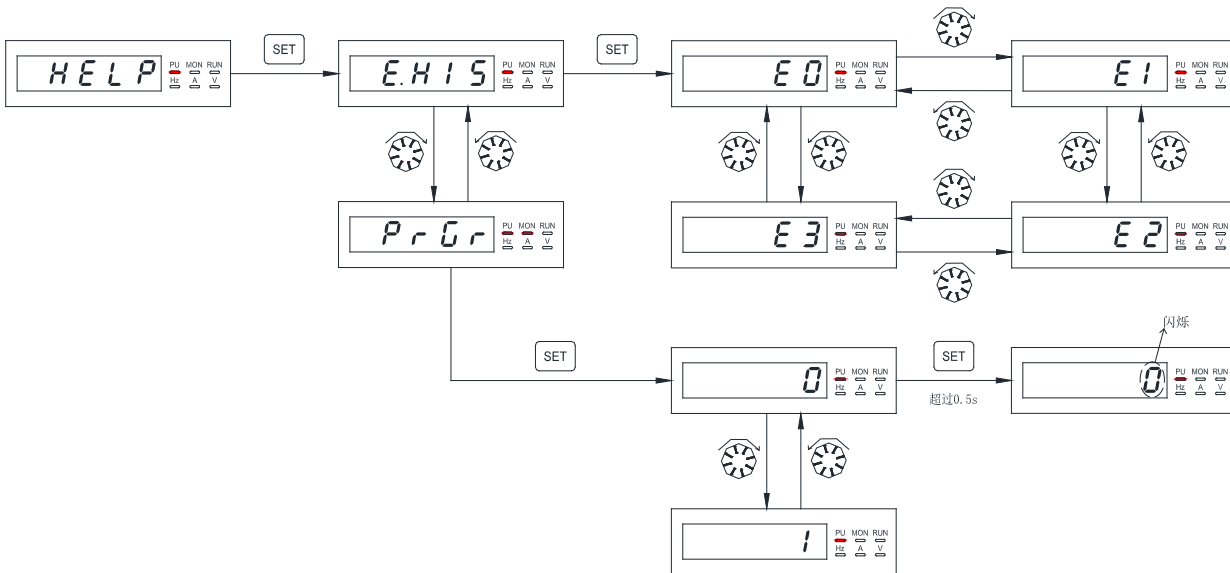


### 4.2.5 Operation flow charts for parameter setting mode with PU301



Note: Neither Indicating lamp **Hz** nor **MON** will light up under the parameter setting mode. Please Use **SET** to write the parameter.




### 4.2.6 Operation flow chart of HELP model, using SC3-TYPE operation keyboard






Note: 1. Browsing the alarm record, display screen shows the recent four groups of alarm codes.  
2. Different tp code, please refer to appendix 2.

## 4.3 Basic operation procedures for different modes


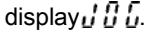


### 4.3.1 Basic operation procedures for PU mode (00-16(P.79) = 0 or 1)

Step	Description
1	<ul style="list-style-type: none"> <li>Change the operation mode to PU mode, and indicating lamp <b>PU</b>  will light up.</li> </ul> <p>Note: 1. When 00-16(P.79) =0, the inverter will first go into the external mode after the power is switched on or the inverter is reset.</p> <p>2. For selecting and switching the operation mode, please refer to Section 4.2.</p>
2	<ul style="list-style-type: none"> <li>Enter into the frequency setting mode and write the target frequency into memory.</li> </ul> <p>Note: For detailed setting procedures, please refer to Section 4.2.4.</p>
3	<ul style="list-style-type: none"> <li>Press <b>FWD</b> or <b>REV</b> to run the motor. At this point, indicating lamp <b>RUN</b>  will light up, indicating that the motor is running. The PU301 parameter unit will automatically go into the monitor mode and display the current stable output frequency.</li> </ul> <p>Note: 1. For detailed operation flow for the monitoring mode, please refer to Section 4.2.3.</p> <p>2. While the motor is running, the user can enter into the frequency setting mode to change the target frequency for regulating the motor speed.</p>
4	<ul style="list-style-type: none"> <li>Press <b>STOP/RESET</b> and the motor will begin to decelerate until it comes to a full stop.</li> <li>Indicating lamp <b>RUN</b>  will not turn off until the inverter stops the output voltage.</li> </ul>

### 4.3.2 Basic operation procedures for external mode (00-16(P.79) = 0 or 2)

Step	Description
1	<ul style="list-style-type: none"> <li>Change the operation mode to external mode, the screen will display <i>OPnd</i>.</li> </ul> <p>Note: 1. When 00-16(P.79) =0, after the power is switched on or the inverter is reset, press <b>MODE</b> to switch to operation mode, the inverter will first go into the external mode, and then use  to switch to PU mode.</p> <p>2. When 00-16(P.79) =2, external mode will be the default for the inverter.</p> <p>3. For selecting and switching the operation mode, please refer to Section 4.2.</p>
2	<ul style="list-style-type: none"> <li>The target frequency is set by external terminals (the default priority is from high to low):</li> <li>If the programmable operating mode is chosen, please refer to Section 5.4.1 Function selection of digital input and 5.5.2 Programmed operation mode.</li> <li>If the target frequency is set by multi-speed stage levels, please refer to 04-00(P.4) in Chapter 5.</li> <li>If the target frequency is set by the input signal across terminal 4-5, please refer to 02-21(P.39) in Chapter 5.</li> </ul>
3	<ul style="list-style-type: none"> <li>Turn on STF or STR to run the motor.</li> <li>At this point, indicating lamp <b>RUN</b>  will light up, indicating that the motor is running.</li> </ul> <p>Note: 1. For setting up the starting terminals STF and STR, please refer to 00-15(P.78) in Chapter 5.1.8 and 5.4.1 Function selection of digital input.</p> <p>2. For detailed operation flow for the monitor mode, please refer to Section 4.2.3.</p> <p>3. If programmed operation mode is chosen, then STF and STR will become the starting signal and the pause signal, respectively, instead of being the Run Forward or Run Reverse terminals.</p>
4	<ul style="list-style-type: none"> <li>Turn off STF or STR to decelerate the motor until it comes to a full stop.</li> <li>Indicating lamp <b>RUN</b>  will not turn off until the inverter stops the output voltage.</li> </ul>




### 4.3.3 Basic operation procedures for JOG mode (00-16(P.79) = 0 or 1)

Step	Description
1	<ul style="list-style-type: none"> <li>Change the operation mode to the JOG mode and indicating lamp <b>PU</b>  will light up. At this point, the screen will display .</li> </ul> <p>Note: For selecting and switching the operation mode, please refer to Section 4.2.</p>
2	<ul style="list-style-type: none"> <li>Press <b>REV</b> or <b>FWD</b> to run the motor. At this point, indicating lamp <b>RUN</b>  will light up, indicating that the motor is running.</li> <li>Release <b>FWD</b> or <b>REV</b> to decelerate the motor until it comes to a full stop. Indicating lamp <b>RUN</b>  will not turn off until the inverter stops the output.</li> </ul> <p>Note: 1. For detailed operation flow for the monitor mode, please refer to Section 4.2.3. 2. In the JOG mode, the target frequency is the value of 01-13(P.15), and the acceleration / deceleration time is the value of 01-14(P.16). Please refer to 01-13(P.15) in Chapter 5.</p>







### 4.3.4 Basic operation procedures for communication mode (00-16(P.79) = 3)

- ◆ In the communication mode, the user can set the parameters and run/stop or reset the inverters by communication. Please refer to communication function related parameters for details.




### 4.3.5 Basic operation procedures for combined mode 1 (00-16(P.79) = 4)

Step	Description
1	<ul style="list-style-type: none"> <li>In Combined Mode 1, indicating lamp <b>PU</b>  will light up.</li> </ul> <p>Note: For selecting and switching the operation mode, please refer to Section 4.2.</p>
2	<ul style="list-style-type: none"> <li>Enter into the frequency setting mode and write the target frequency into memory.</li> </ul> <p>Note: For detailed frequency setting procedures, please refer to Section 4.2.4.</p>
3	<ul style="list-style-type: none"> <li>Set the target frequency via PU301 parameter unit and start the inverter by the digital input terminals.</li> <li>At this point, indicating lamp <b>RUN</b>  will light up, indicating that the motor is running.</li> </ul> <p>Note: For detailed operation flow for the monitor mode, please refer to Section 4.2.3.</p>
4	<ul style="list-style-type: none"> <li>When the digital input terminals stop the output signals, the motor will decelerate until it comes to a full stop.</li> <li>Indicating lamp <b>RUN</b>  will not turn off until the inverter stops the output.</li> </ul>




4.3.6 Basic operation procedures for combined mode 2 (00-16(P.79) = 5)

Step	Description
1	<ul style="list-style-type: none"> <li>In Combined Mode 2, indicating lamp <b>PU</b>  will light up.</li> </ul> <p>Note: For selecting and switching the operation mode, please refer to Section 4.2.</p>
2	<ul style="list-style-type: none"> <li>The target frequency is set by the external terminals (the default priority is from high to low):</li> <li>If the programmable operating mode is chosen, please refer to Section 5.4.1 Function selection of digital input and 5.5.2 Programmed operation mode.</li> <li>If the target frequency is set by multi-speed stage levels, please refer to 04-00(P.4) in Chapter 5.</li> <li>If the target frequency is set by the input signal across terminal 4-5, please refer to 02-21(P.39) in Chapter 5.</li> </ul>
3	<ul style="list-style-type: none"> <li>Press  or  of PU301 parameter unit to run the motor. At this point, indicating lamp <b>RUN</b>  will light up, indicating that the motor is running.</li> </ul> <p>Note: 1. For detailed operation flow for the monitor mode, please refer to Section 4.2.3. 2. While the motor is running, the user can enter into the frequency setting mode to change the target frequency for regulating the motor speed.</p>
4	<ul style="list-style-type: none"> <li>Press  and the motor will begin to decelerate until it comes to a full stop.</li> <li>Indicating lamp <b>RUN</b>  will not turn off until the inverter stops the output.</li> </ul>



## 4.3.7 Basic operation procedures for combined mode 3(00-16(P.79) = 6)

Step	Description
1	<ul style="list-style-type: none"> <li>In Combined Mode 3, indicating lamp <b>PU</b>  will light up.</li> </ul> <p>Note: For selecting and switching the operation mode, please refer to Section 4.2.</p>
2	<ul style="list-style-type: none"> <li>The target frequency is determined by communication:</li> <li>When RL, RM, RH and REX of multi-speed stage levels are “on”, the target frequency is determined by combination of multi-speed stage levels(Please refer to 04-00~04-02/P.4~P.6, 03-00~03-01/P.83~P.84 , 03-03~03-04/P.80~P.81。 )</li> <li>When external JOG is “on”, the target frequency is determined by 01-13(P.15). Acceleration / deceleration time is set by the value of 01-14(P.16).</li> </ul>
3	<ul style="list-style-type: none"> <li>The inverter starting is activated by the external terminals.At this point, indicating lamp <b>RUN</b>  will light up, indicating that the motor is running.</li> <li>The functions of 00-02(P.996、 P.998、 P.999) can be accomplished by communication.</li> </ul> <p>Note: For detailed operation flow for the monitor mode, please refer to Section 4.2.3.</p>
4	<ul style="list-style-type: none"> <li>When the digital input terminals stop the output signals, the motor will decelerate until it comes to a full stop.</li> <li>Indicating lamp <b>RUN</b>  will not turn off until the inverter stops the output.</li> </ul>

## 4.3.8 Basic operation procedures for combined mode 4(00-16(P.79) = 7)

Step	Description
1	<ul style="list-style-type: none"> <li>In Combined Mode 4, indicating lamp <b>PU</b>  will light up.</li> </ul> <p>Note: For selecting and switching the operation mode, please refer to Section 4.2.</p>
2	<ul style="list-style-type: none"> <li>The target frequency of the inverter is determined by the external terminals’ “external voltage signal”, “external current signal”, or “combination of multi-speed stage levels”.</li> </ul>
3	<ul style="list-style-type: none"> <li>The inverter starting is activated by communication (including “Reset”). At this point, indicating lamp <b>RUN</b>  will light up, indicating that the motor is running.</li> </ul> <p>Note: 1. For detailed operation flow for the monitor mode, please refer to Section 4.2.3. 2. While the motor is running, the user can enter into the frequency setting mode to change the target frequency for regulating the motor speed.</p>
4	<ul style="list-style-type: none"> <li>When communication sends the stop instruction, the motor will decelerate until it comes to a full stop.</li> <li>Indicating lamp <b>RUN</b>  will not turn off until the inverter stops the output.</li> </ul>


4.3.9 Basic operation procedures for combined mode 5(00-16(P.79) = 8)



Step	Description
1	<ul style="list-style-type: none"> <li>In Combined Mode 5, indicating lamp <b>PU</b>  will light up.</li> </ul> <p>Note: For selecting and switching the operation mode, please refer to Section 4.2.</p>
2	<ul style="list-style-type: none"> <li>The target frequency of the inverter is set by PU301 parameter unit:</li> <li>When RL, RM, RH and REX of multi-speed stage levels are “on”, the target frequency is determined by combination of multi-speed stage levels (please refer to 04-00~04-02/P.4~P.6, 03-00~03-01/P.83~P.84, 03-03~03-04/P.80~P.81).</li> <li>When external JOG is “on”, the target frequency is determined by 01-13(P.15). Acceleration / deceleration time is set by the value of 01-14(P.16).</li> </ul>
3	<ul style="list-style-type: none"> <li>The inverter starting is activated by the external forward and reverse terminals.</li> </ul> <p>Note: 1. For detailed operation flow for the monitor mode, please refer to Section 4.2.3. 2. While the motor is running, the user can enter into the frequency setting mode to change the target frequency for regulating the motor speed.</p>
4	<ul style="list-style-type: none"> <li>When the digital input terminals stop the output signals, the motor will decelerate until it comes to a full stop.</li> <li>Indicating lamp <b>RUN</b>  will not turn off until the inverter stops the output.</li> </ul>

## 4.4 Operation

### 4.4.1 Pre-operation checks and preparation


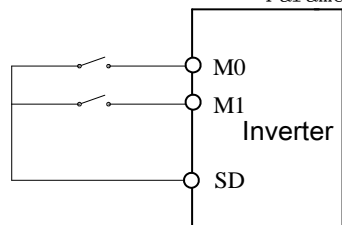
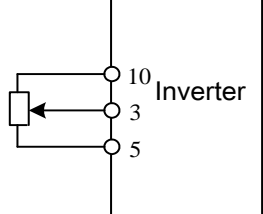
Before starting the operation, the following shall be examined:

1. Check if the wiring is correct. Check especially the ac motor driver output terminals (U/T1, V/T2, W/T3), which cannot be connected to the power. Confirm that grounding terminal () is well grounded.
2. Check if there is a short circuit at the terminals or charged exposure.
3. Verify all terminal connections, and check if plug connectors (optional) and screws are all fastened.
4. Verify that no mechanical device is connected to the motor.
5. All switches must be disconnected before power on. Make sure that the inverter will not start and there is no abnormal activity when power on.
6. Turn on the power only after the cover is well placed.
7. Do not operate the switch with a wet hand.
8. Make sure of the following after power on:






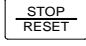
The operating screen should display normally, both indicating lamp  Hz and **MON**  will light up.

### 4.4.2 Operation methods

For various operation methods, please refer to basic operation procedures in Chapter 4 and parameter description in Chapter 5. Select the most appropriate operation methods according to the application requirements and regulations. The most commonly used operation methods are shown below:

Operation method	Source of the target frequency	Source of the operating signal
parameter unit operation		<input type="button" value="FWD"/> or <input type="button" value="REV"/>
External terminal signal operation	<div style="text-align: center;"> <p>Parameter setting</p> <p>04-01(P.5)=30 04-02(P.6)=10</p>  </div>	Input by digital input terminal: STF-SD STR-SD
	<div style="text-align: center;">  <p>3-5 terminal input</p> </div>	

### 4.4.3 Trial run

- ◆ Check cables and abnormalities before the trial run. After power on, the inverter is in the external mode.
  1. After power on, make sure the operating screen is normal, the indicating lamp power  Hz and  MON is on.
  2. Connect a switch between STF and SD or STR and SD.
  3. Connect a potentiometer between 3-5-10 or provide 0~5V dc between 3 and 5.
  4. Adjust potentiometer or 0~5V dc to a minimum value (under 1V).
  5. If STF is on, forward rotation is activated. If STR is on, reverse rotation is activated. Turn off STF or STR to decelerate the motor until it stops completely.
  6. Check the following:
    - 1). Whether the direction of motor rotation is correct.
    - 2). Whether the rotation is smooth (check for any abnormal noise and vibration).
    - 3). Whether the acceleration / deceleration is smooth.
  
- ◆ : If there is an optional keyboard panel, do the following:
  1. Make sure that the keyboard panel is connected to the inverter properly.
  2. Change the operation mode to PU mode after power on, and the screen will display 50/60Hz.
  3. Press  button to set the target frequency at about 5Hz.
  4. Press  for forward rotation and  for reverse rotation. Press  to decelerate the motor until it stops completely.
  5. Check the following:
    - 1)Whether the direction of motor rotation is correct.
    - 2)Whether the rotation is smooth (check for any abnormal noise and vibration).
    - 3) Whether the acceleration / deceleration is smooth.
  
- ◆ If no abnormal condition is found, continue the trial run by increasing the frequency and go through the above procedure. Put the machine into operation if no abnormal condition is found.

Note: Stop working immediately if abnormalities are found when running the inverter or the motor. Check for possible causes according to "fault diagnosis". After inverter output is stopped and the power terminals (R/L1, S/L2, and T/L3) of the main circuit are disconnected, electric shock may occur if one touches the inverter's output terminals (U/T1, V/T2, and W/T3). Even if the major loop power is cut off, there is still recharging voltage in the filter capacitors. As a result, discharge takes time. Once the major loop power is disconnected, wait for the power indicating lamp to go off before testing the intermediate dc loop with a dc voltage meter. Once the voltage is confirmed to be below the safe value, it is safe to touch the circuit inside the inverter.



## 5. PARAMETER DESCRIPTION

### 5.1 System parameter group00

Group	Parameter Number	Name	Setting Range	Factory Value	Page
00-00	P.90	The inverter model	Read	---	50
00-01	P.188	Firmware version	Read	---	55
00-02	P.996 ~ P.999	Parameter restoration	0: Non-function	0	56
			1: Alarm history clear (P.996=1)		
			2: Inverter reset (P.997=1)		
			3: Restoring all parameters to default values (P.998=1)		
			4: Restoring some parameters to default values 1 (P.999=1)		
			5: Restoring some parameters to default values 2 (P.999=2)		
			6: Restoring some parameters to default values 3 (P.999=3)		
00-03	P.77	Selection of Parameters write protection	0: Parameters can be written only when the motor stops.	0	57
			1: Parameters cannot be written.		
			2: Parameters can also be written when the motor is running.		
			3: Parameters cannot be written when in password protection.		
00-04	P.294	Decryption parameter	0~65535	0	57
00-05	P.295	Password setup	2~65535	0	57
00-06	P.110	Parameter unit monitoring selection	0: When the inverter starts, the operation panel enters the monitoring mode automatically, and the screen displays the output frequency.(this frequency for slip compensation)	2	59
			1: When the inverter starts, the screen of the operation panel displays the target frequency.		
			2: When the inverter starts, the operation panel enters the monitoring mode automatically, and the screen displays current output frequency.		
			3: When the inverter starts, the operation panel enters the monitoring mode automatically, and the screen displays the current pressure and feedback pressure of the constant pressure system		
			4: When the inverter starts, the operation panel doesn't enter the monitoring mode automatically, and the screen displays the mode of starting.		

Group	Parameter Number	Name	Setting Range	Factory Value	Page
00-07	P.161	Multi-function display	0: Output voltage (V)	0	59
			1: Inverter voltage between (+/P) and (-/N) terminals. (V)		
			2: Temperature rising accumulation rate of inverter (%)		
			3: Target pressure of the constant pressure system (%)		
			4: Feedback pressure of the constant pressure system (%)		
			5: Operation frequency (Hz)		
			6: Electronic thermal accumulation rate (%)		
			7: Reserve.		
			8: Signal value (mA) of 3-5 simulating input terminals (mAV).		
			9: Output power (kW).		
			10: Reserve.		
			11: Positive and reverse rotation signal. Then 1 represents positive rotation, 2 represents reverse rotation, and 0 represents stopping state.		
			12: NTC temperature (°C)		
			13: Electronic thermal accumulation rate of motor(%)		
			14~18: Reserve.		
19: Digital terminal input state					
20: Digital terminal output state					
21: Actual working carrier frequency					
00-08	P.37	Speed display	0: Display output frequency(the mechanical speed is not displayed)	0	60
			0.1~5000.0		
			1~9999		
00-09	P.259	Speed unit selection	0: Speed display selection unit is 1	1	60
			1: Speed display selection unit is 0.1		
00-10	P.59	The setting frequency selection of rotary knob on the operating keyboard	XXX0: The frequency set by frequency inverter itself shuttle knob is effective	0	61
			XXX1: The frequency set by the knob of the manipulator is effective.		
			X0XX: After changing the frequency, automatic storage after 30s.		
			X1XX : After changing the frequency, automatic storage after 10s.		
			X2XX :After changing the frequency,doesn't storge automatically		
			0XXX: After to shuttle set frequency, the frequency of changes take effect immediately		
			1XXX: After to shuttle set frequency and the set key run , the frequency of change take effect.		

Group	Parameter Number	Name	Setting Range	Factory Value	Page
00-11	P.72	Carrier frequency	1~15	5 kHz	62
00-12	P.31	Soft-PWM carrier operation selection	0: None Soft-PWM operation	0	62
			1: When 00-11(P.72)< 5, Soft-PWM is valid (only apply to V/F control )		
			2: When 00-11(P.72)>5, Inverter module's temperature is exorbitant, carrier will automatically lower, after module's temperature dropping, carrier will automatically return to p. 72 set value.		
00-13	P.71	Idling braking / DC braking	0: Idling braking	1	63
			1: DC braking		
00-14	P.75	Stop function selection	0: Press STOP button and stop the operation only in the PU and H2 mode	1	63
			1: Press STOP button and stop the operation in all mode.		
00-15	P.78	Forward/reverse rotation prevention selection	0: Forward rotation and reverse rotation are both permitted.	0	64
			1: Reverse rotation is prohibited (Press the reverse reference to decelerate and stop the motor).		
			2: Forward rotation is prohibited (Press the forward rotation reference to decelerate and stop the motor).		
00-16	P.79	Operation mode selection	0: "PU mode", "external mode" and "Jog mode" are interchangeable.	0	64
			1: "PU mode" and "JOG mode" are interchangeable.		
			2: "External mode" only		
			3: "Communication mode" only		
			4: "Combined mode 1"		
			5: "Combined mode 2"		
			6: "Combined mode 3"		
			7: "Combined mode 4"		
8: "Combined mode 5"					
00-17	P.97	The second target frequency selection	0: Frequency set by parameter unit	0	64
			1: Frequency set by Communication RS485		
			2: Frequency set by the analog		
00-19	P.35	Communication mode instruction selection	0: Incommunication mode, operating instruction and setting frequency is set by communication.	0	64
			1: Incommunication mode, operating instruction and setting frequency is set by external.		
00-21	P.300	Motor control mode selection	0: Induction motor V/F control	0	65
			1: Reserve		
			2: Induction motor simple vector control		
00-24	P.189	50Hz/60Hz switch selection	0: The frequency parameter default value is 60Hz system.	0	66
			1: The frequency parameter default value is 50Hz system.	1	
00-25	P.990	Parameter mode setting	0: Parameter is displayed as "group mode"	0	66
			1: Parameter is displayed as "conventional P mode"		

### 5.1.1 Inverter information

- ◆ Inquire the inverter model, control board firmware version, and the connected expansion card, etc.

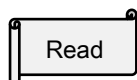
Parameter	Name	Factory Value	Setting Range	Content
00-00 P.90	The inverter model	--	Read	---
00-01 P.188	Firmware version	--	Read	The inverter control board firmware version

- ◆ The inverter model

P.90 =

Applicable motor capacity:  
please refer to the following table

Input voltage: 1: 220V 1-PHASE  
2: 220V 3-PHASE  
3: 440V 3-PHASE



The applicable motor capacity:

Value(value of the two low-order bits of 00-00)	Capacity (kw)
2	0.4
3	0.75
4	1.5
5	2.2
6	3.7
7	5.5

Note: The parameters above are for reading only, not for writing.

## 5.1.2 Parameter restoration

- ◆ Restore the parameters to the default values.

Parameter	Name	Factory Value	Setting Range	Content
00-02	Parameter restoration	0	0	No function.
			1	Alarm history clear (P.996=1)
			2	Inverter reset (P.997=1)
			3	Restoring all parameters to default values (P.998=1)
			4	Restoring some parameters to default values1(P.999=1)
			5	Restoring some parameters to default values 2 (P.999=2)
			6	Restoring some parameters to default values 3(P.999=3)

Setting Parameter restoration

- ◆ 1: 00-02 is set to 1, and the screen will display  $E r . [ L$  after writing, the abnormal record will be erased, 00-02 is restored to 0.
- ◆ 2: 00-02 is set to 1, and the screen will display  $r E S T$ , the inverter will be reset.00-02 is restored to 0.After resetting the inverter, the values of the two relays, “electronic thermal relay” and “IGBT module thermal relay”will be set to zero.
- ◆ 3: 00-02is set to3, and the screen will display  $A L L C$ , all the parameters will be restored to the default values except the parameters in the **table 1** below.After parameters are restored, 00-02 is restored to0.

**Exception**The parameters in **table 1** below will not be restored to the default values:

Group	No.	Name
00-00	P.90	The inverter model
00-01	P.188	Firmware version
00-24	P.189	50Hz/60Hz switch selection
01-08	P.21	Accelerate/Decelerate time increments
06-27	P.292	Accumulative motor operation time (minutes)
06-28	P.293	Accumulative motor operation time (days)
06-29	P.296	Inverter electric time (minutes)
06-30	P.297	Inverter electric time (day)

- ◆ 4: 00-02 is set to4, and the screen will display  $P r . [ r$  after writing, all the parameters will be restored to the default values except the parameters in the **table 1** and **table 2**below.After parameters are restored, 00-02 is restored to 0.

**Exception** The parameters in **table 2** below and **table 1**will not be restored to the default values:

Group	No.	Name
00-21	P.300	Motor control mode selection
02-25	P.198	The minimum input current/voltage of 3-5
02-26	P.199	The maximum input current/voltage of 3-5
02-27	P.196	Thepercentage corresponding to the minimum input current/voltage of 3-5
02-28	P.197	The percentage corresponding to the maximum input current/voltage of 3-5
02-61	P.141	3-5 current/voltage input corresponding to the percentage of plus or minus

## System parameter group00

05-00	P.301	Motor parameter auto-tuning function selection
05-01	P.302	Motor rated power
05-02	P.303	Motor poles
05-03	P.304	Motor rated voltage
05-04	P.305	Motor rated frequency
05-05	P.306	Motor rated current
05-06	P.307	Motor rated rotation speed
05-07	P.308	Motor excitation current
05-08	P.309	Motor stator resistance
11-00	P.320	Slip compensation gain
11-01	P.321	Torque compensation filter coefficients

- ◆ 5 : The parameter user register between 15-00 and 15-19 will not be reset,nor will the value of parameter number.The parameter in table 1 will not be reset.Once reset,00-02 will recover to 0.
- ◆ 6: The parameter user register between 15-00 and 15-19 will not be reset,nor will the value of parameter number.The parameter in table 1 and table2 will not be reset.Once reset,00-02 will recover to 0.

Note: When restoring all or some to default values, please be sure that the screen displays *End*, which means parameters has been restored to factory values, and then execute other operations.

### 5.1.3 Parameter protection

- ◆ Whether to enable the writing to various parameters or not can be selected. Use this function to prevent parameter values from being rewritten by misoperation.

Parameter	Name	Factory Value	Setting Range	Content
00-03 P.77	Selection of parameters write protection	0	0	Parameters can be written only when the motor stops.
			1	Parameters cannot be written.
			2	Parameters can also be written when the motor is running.
			3	Parameters cannot be written when in password protection.
00-04 P.294	Decryption parameter	0	0~65535	Write the registered password to decrypt the parameter protection.
00-05 P.295	Password setup	0	2~65535	Register password for parameter protection setting.

Setting Parameter writeprotection selection

- ◆ Writing parameters only during stop(00-03="0"initial value)

**Exception** During operation, the parameters below can be written:

Group	No.	Name	Group	No.	Name
00-03	P.77	Selection of parameters write protection	04-05	P.26	Speed 6
00-07	P.161	Multi-function display	04-06	P.27	Speed 7
02-25	P.198	The minimum input current/voltage of 3-5	04-07	P.142	Speed 8
02-26	P.199	The maximum input current/voltage of 3-5	04-08	P.143	Speed 9
02-27	P.196	The percentage corresponding to the minimum input current/voltage of 3-5	04-09	P.144	Speed 10
02-28	P.197	The percentage corresponding to the maximum input current/voltage of 3-5	04-10	P.145	Speed 11
02-52	P.56	Output current display reference	04-11	P.146	Speed 12
04-00	P.4	Speed 1 ( high speed )	04-12	P.147	Speed 13
04-01	P.5	Speed 2 (middle speed)	04-13	P.148	Speed 14
04-02	P.6	Speed 3 (low speed)	04-14	P.149	Speed 15
04-03	P.24	Speed 4	04-19	P.131	Programmed operation mode speed 1
04-04	P.25	Speed 5	04-20	P.132	Programmed operation mode speed 2
Group	No.	Name	Group	No.	Name
04-21	P.133	Programmed operation mode speed3	08-03	P.225	PID target value panel reference
04-22	P.134	Programmed operation mode speed 4	08-16	P.221	Minimum pressuresampling value
04-23	P.135	Programmed operation mode speed 5	08-17	P.222	Maxmum pressure sampling value
04-24	P.136	Programmed operation mode speed 6	10-19	P.230	Dwell frequency at acceleration
04-25	P.137	Programmed operation mode speed 7	10-21	P.232	Dwell frequency at deceleration
04-26	P.138	Programmed operation mode speed 8	10-19	P.230	Dwell frequency at acceleration
06-17	P.261	Maintenance alarm function	10-21	P.232	Dwell frequency at deceleration

## System parameter group00

- ◆ The parameters cannot be written. (00-03="1")

- ◆ **Exception** The parameters below can be written.

Group	No.	Name
00-03	P.77	Selection of parameters write protection

Group	No.	Name
00-16	P.79	Operation mode selection

- ◆ During operation, the parameters below can also be written.(00-03="2")

**Exception** During operation, the parameters below cannot be written:

Group	No.	Name
00-00	P.90	The inverter model
00-01	P.188	Firmware version
00-11	P.72	Carrier frequency
00-15	P.78	Forward/reverse rotation prevention selection
00-16	P.79	Operation mode selection
06-01	P.22	Stall prevention operation level
06-08	P.155	Over torque detection level

Group	No.	Name
06-27	P.292	Accumulative motor operation time (minutes)
06-28	P.293	Accumulative motor operation time (days)
06-41	P.289	Alarm code display
06-43	P.291	Alarm message display
06-29	P.296	Inverter electric time (minutes)
06-30	P.297	Inverter electric time (days)

- ◆ When in password protection, parameters cannot be read. (00-03="3")

**Exception** The parameters below can still be read:

Group	No.	Name
00-00	P.90	The inverter model
00-01	P.188	Firmware version
00-05	P.295	Password setup
00-08	P.37	Speed display
00-16	P.79	Operation mode selection
00-25	P.990	Parameter mode setting
01-00	P.1	Maximum frequency
01-01	P.2	Minimum frequency
06-41	P.289	Alarm code display
06-43	P.291	Alarm message display

Setting Password protection

- ◆ Registering a password
  1. Write a number (2 ~ 65535) in 00-05 as a password, password protection takes effect immediately;
  2. After registering a password, 00-05=1;
- ◆ Unlocking password protection
  1. Write the correct password in 00-04, and then password protection will be unlocked;
  2. After unlocking the password, 00-04=0, 00-05=1;
  3. If turn the inverter power off and then turn on, it will still restore to the password protection status.
- ◆ Password all clear
  1. Write the correct password in 00-04 to unlock the password protection;
  2. Write 0 in 00-05, password will be all cleared.

Note: Please keep the password properly. Bring the inverter to the factory for decryption if the password is forgotten.



## 5.1.4 Monitoring function

◆ The item to be displayed on the parameter unit can be selected.


Parameter	Name	Factory Value	Setting Range	Content
00-06 P.110	Parameter unit monitoring selection	1	0	When the inverter starts, the parameter unit enters the monitoring mode automatically, and the screen displays the output frequency.
			1	When the inverter starts, the screen of the parameter unit displays the target frequency.
			2	When the inverter starts, the operator shows the current target frequency.
			3	When the inverter starts, operator begins monitor mode automatically, display the current target pressure and feedback constant pressure system (note)
			4	When the inverter starts, operator is no longer automatically monitor mode, display the inverter model before starting.
00-07 P.161	Multi-function display	0	0	Output voltage (V)
			1	Inverter voltage between (+/P) and (-/N) terminals. (V)
			2	Temperature rising accumulation rate of inverter (%)
			3	Target pressure of the constant pressure system (%)
			4	Feedback pressure of the constant pressure system (%)
			5	Operation frequency (Hz)
			6	Electronic thermal accumulation rate (%)
			8	Signal value (mA) of 4-5 simulating input terminals (mA/V).
			9	Output power (kW).
			11	Positive and reverse rotation signal. Then 1 represents positive rotation, 2 represents reverse rotation, and 0 represents stopping state.
			12	NTC temperature (°C)
			13	Electronic thermal accumulation rate of motor (%)
			14~18	Reserve.
			19	Digital terminal input state
20	Digital terminal output state			
21	Actual working carrier frequency			

Note: 1. The "output frequency" here is the value after slip compensation.

2. The multi-function display selection is realized in the monitoring voltage mode. Please refer to Section 4.2.3 for monitoring mode selection

3. Please refer to 5.4.15 for the sort of terminal.

**Display** Parameter unit monitoring selection

- ◆ Display the current target pressure and feedback pressure of the constant pressure system(00-06="3"). At this point, the screen display shows two sections. A decimal point is used to separate the boundaries. What is on the left is the target pressure of the constant pressure system and what is on the right is the feedback pressure of the constant pressure system. As is shown in this figure, , 20 denotes that the target pressure of the constant pressure system is 2.0kg/cm<sup>3</sup>; 30 denotes that the feedback pressure of the constant pressure system is 3.0kg/cm<sup>3</sup>.

**Display** Multi-function display

- ◆ The multi-function display selection is realized in the monitoring voltage mode. Please refer to Page 66(4.2.3 the operation flow charts for monitoring mode )for monitoring mode selection.

### 5.1.5 Speed display

- ◆ In the mode of "monitoring output frequency", the screen displays the corresponding machine speed.

Parameter	Name	Factory Value	Setting Range	Content
00-08 P.37	Speed display	0.0	0	0: Display output frequency(the mechanical speed is not displayed)
			0.1~5000.0	When 00-09=1
			1~9999	When 00-09=0
00-09 P.259	Speed unit selection	1	0	0: Speed display selection unit is 1
			1	1: Speed display selection unit is 0.1

**Setting** Speed display

- ◆ The setting value of 00-08 is the machine speed of the inverter when its output frequency is 60Hz.  
For example:
  1. If the transmitting belt speed is 950 m/minute when the inverter output frequency is 60Hz, set 00-08 = 950.
  2. After setting, in the "output frequency monitoring mode" of parameter unit, the screen will display the speed of the transmitting belt.

Note: The machine speed on the screen is the theoretical value calculated proportionately by the inverter output frequency and the setting value of 00-08. So there's minute discrepancy between the displayed machine speed and the actual one.

## 5.1.6 The Setting Frequency Selection of Rotary Knob on the Operating Keyboard /PWM carrier

## frequency

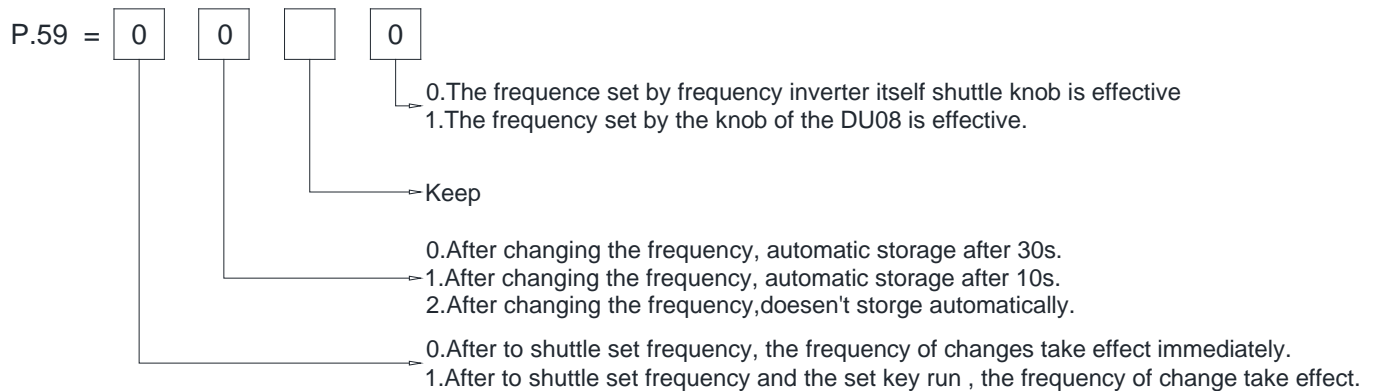
- ◆ According the differernt setting values,determining the frequency ralues which are set by the keyboard.

Parameter	Name	Factory Value	Setting Range	Content
00-10 P.59	The setting frequency selection of rotary knob on the operating keyboard	0	XXX0	The frequence set by frequency inverter itself shuttle knob is effective
			XXX1	The frequency set by the knob of the manipulator is effective.
			X0XX	After changing the frequency, automatic storage after 30s.
			X1XX	After changing the frequency, automatic storage after 10s.
			X2XX	After changing the frequency,doesen't storge automatically
			0XXX	After to shuttle set frequency, the frequency of changes take effect immediatly
			1XXX	After to shuttle set frequency and the set key run , the frequency of change take effect.

## Setting

## The Setting of Rotary Knob on the Operating keyboard

- ◆ 00-27 (P.59) is set by bit and it has 4 bits.



## 5.1.7 PWM Carrier frequency

- ◆ The motor sound can be changed by adjusting PWM carrier frequency properly.

Parameter	Name	Factory Value	Setting Range	Content
00-11 P.72	Carrier frequency	5kHz	1~15	
00-12 P.31	Soft-PWM carrier operation selection	0	0	None Soft-PWM operation
			1	When 00-11(P.72)< 5, Soft-PWM is valid(only apply to V/F control )
			2	When 00-11(P.72)>5, Inverter module's temperature is exorbitant, carrier will automatically lower, after module's temperature dropping, carrier will automatically return to p. 72 set value.

 Setting Carrier frequency

- ◆ If the carrier frequency becomes larger,the mechanical noise of motor will become smaller, the leakage current of motor will become larger, and the noise of inverter will become larger.
- ◆ If the carrier frequency becomes larger,the inverter will consume more energy and its temperature will also rise.
- ◆ If there is mechanical resonance in inverter systems, we can adjust the setting value of 00-11 to diminish it.



Note: carrier frequency value should at least 8 times exceeding the target frequency more than double.

 Setting Carrier operation selection **V/F**

- ◆ Soft-PWM control is a control method that changes the motor noise from a metallic sound into an inoffensive, complex tone.
- ◆ Motor noise modulation control is when the inverter varies its carrier frequency from time to time during the operation. The metal noises generated by the motor are not a single frequency. This function selection is to improve the high peak single frequency noises.
- ◆ This function is only valid under the V/F mode; i.e., it is effective when 00-21=0.

## 5.1.8 Stop operation selection

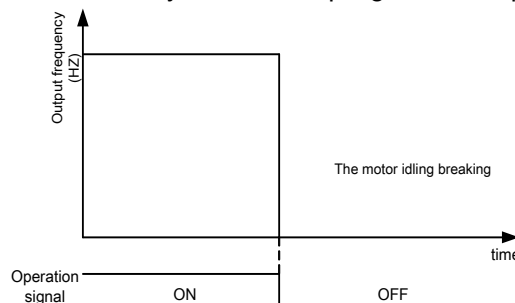
## ◆ Select the inverter stop operation

Parameter	Name	Factory Value	Setting Range	Content
00-13 P.71	Idling braking / DC braking	1	0	Idling braking
			1	DC braking
00-14 P.75	STOP RESET function selection	1	0	Press  button and stop the operation only in the PU and H2 (combined mode 2) mode
			1	Press  button and stop the operation in all mode.

 Setting Idling braking / linear braking

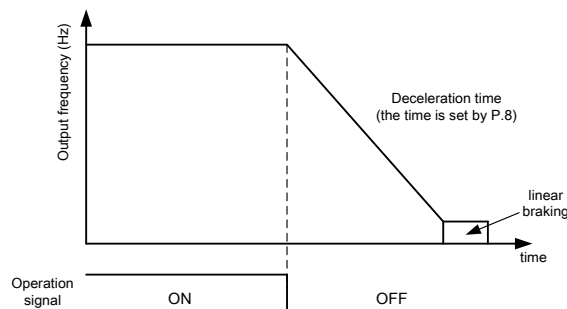

## ◆ Idling braking(00-13="0")


The inverter will terminate the output immediately after the stop signal is accepted, and the motor will be "racing".




## ◆ Linear braking(00-13="1")

The output of the inverter will follow the acceleration / deceleration curve to decelerate until stop after the stop signal is accepted.


 Setting  button function selection
◆  to stop the operation.(00-14="1")

**Notice** In any modes except the PU and the H2 mode, the motor can be stopped by pressing . The inverter then displays E0 and all functions of the inverter are disabled. To unlock the state, follow the procedures below:

1. If the start signal is the digital input terminal, it is necessary to cancel the digital input start signal given(Note1);
2. Press  button for over 1.0 second to remove E0 state.

◆ No matter in which setting, press  button for over 1.0 second to reset the inverter after the alarm occurs.

Note: 1. In the programmed operation mode, it is not necessary to cancel the start signal.The inverter will run at the section where it stopped after reset.)

- 2.After resetting the inverter, the values of the two relays of "electronic thermal relay" and "IGBT module thermal relay" will be set to zero.

### 5.1.9 Forward/reverse rotation prevention selection

- ◆ Set this parameter to limit the motor rotation to only one direction, and prevent reverse rotation fault resulting from the incorrect input of the start signal.


Parameter	Name	Factory Value	Setting Range	Content
00-15 P.78	Forward/reverse rotation prevention selection	0	0	Forward rotation and reverse rotation are both permitted.
			1	Reverse rotation is prohibited (Press the reversereference to decelerate and stop the motor).
			2	Forward rotation is prohibited (Press the forward rotation reference to decelerate and stop the motor).

Note: It is valid to all start signals.

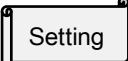
### 5.1.10 Operation mode selection

- ◆ Select the operation mode of the inverter, and determine the source of start signal and target frequency.

Parameter	Name	Factory Value	Setting Range	Content
00-16 P.79	Operation mode selection	0	0	"PU mode", "external mode" and "Jog mode" are interchangeable.
			1	"PU mode" and "JOG mode" are interchangeable.
			2	"External mode" only
			3	"Communication mode" only
			4	"Combined mode 1"
			5	"Combined mode 2"
			6	"Combined mode 3"
			7	"Combined mode 4"
00-17 P.97	The second target frequency selection	0	0	Frequency set by parameter unit
			1	Frequency set by Communication RS485
			2	Frequency set by the analog
00-19 P.35	Communication mode instruction selection	0	0	Incommunication mode, operating instruction and setting frequency is set by communication.
			1	Incommunication mode, operating instruction and setting frequency is set by external.

 Setting Operation mode selection

- ◆ Please refer to Section 4.3 for the detailed setting and usage.

 Setting Communication mode instruction selection

- ◆ When 00-16=3, select communication mode:
  1. If 00-19=0, operating instruction and speed instruction is set by communication;
  2. If 00-19=1, operating instruction and speed instruction is set by external.

### 5.1.11 Control mode selection

- ◆ Determine the control mode of the selected AC motor inverter

Parameter	Name	Factory Value	Setting Range	Content
00-21 P.300	Motor control mode selection	0	0	Induction motor V/F control
			2	Simple vector control of induction motor

**Setting** Control mode selection

- ◆ Induction motor V/F control: The user can design V/F ratio by self with the demand, and at the same time control motors.
- ◆ Simple vector control of induction motor: The voltage boost, the frequency changes when compensation motor load increases .

Note: 1. Motor capacity shall be same level or lower level with inverter capacity.

2. When making automatic measurement, such as allowing the motor rotation, please set the P.301 = 1 (dynamic measurement), the load and the motor must be made out completely. Such as load environment don't allow Auto - tuning automatically measure when motor rotate, please set the p. 301 = 2 (static measurement).

3. Domestic magnetic to quantity control: According to function of the automatic measurement (Auto - tuning) to enhance the control performance.

### 5.1.12 50/60Hz switch selection

- ◆ According to different power frequency and the default motor frequency, frequency-related parameters which are 50Hz or 60Hz can be selected.

Parameter	Name	Factory Value	Setting Range	Content
00-24 P.189	50/60Hz switch selection	0	0	The frequency parameter default value is 60Hz system.
		1	1	The frequency parameter default value is 50Hz system.

**Setting** 50/60Hz switch selection


- ◆ If the customer would like to set frequency related parameter to 60Hz system (00-24="0"), please follow the following two steps.
  1. Set 00-24=0;
  2. Set 00-02 to the factory default value (at this point, frequency-related parameters of the inverter will be reset to 60Hz.
- ◆ The affected parameters are as follows:

Group	No.	Name	Group	No.	Name
01-03	P.3	Base frequency	05-04	P.305	Motor rated frequency
01-09	P.20	Accelerate/decelerate reference frequency	05-06	P.307	Motor rated rotation speed
			06-03	P.66	Stall prevention operation reduction starting frequency
02-21	P.39	The maximum operation frequency of terminal 4-5	08-14	P.182	Integral upper limit

5.1.13 Parameter mode setting

- ◆ Select “order number” or “parameter group” to display parameters.

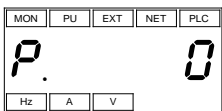
Parameter	Name	Factory Value	Setting Range	Content
00-25 P.990	Parameter mode setting	0	0	Parameter is displayed as “group mode”
			1	Parameter is displayed as “conventional P mode”

 Display Parameter mode setting

- ◆ “Parameter group” displaying



- ◆ “Order number” displaying





## 5.2 Basic parameter group01

Group	Parameter Number	Name	Setting Range	Factory Value	Page
01-00	P.1	Maximum frequency	0.00 ~ 01-02(P.18)Hz	120.00Hz	70
01-01	P.2	Minimum frequency	0 ~ 120.00Hz	0.00Hz	70
01-02	P.18	High-speed maximum frequency	01-00(P.1) ~ 650.00Hz	120.00Hz	70
01-03	P.3	Base frequency	50Hz system setting: 0 ~ 650.00Hz	50.00Hz	71
			60Hz system setting: 0 ~ 650.00Hz	60.00Hz	
01-04	P.19	Base frequency voltage	0 ~ 1000.0V	99999	71
			99999: Change according to the input voltage		
01-05	P.29	Acceleration/deceleration curve selection	0: Linear acceleration /deceleration curve	0	72
			1: S pattern acceleration /deceleration curve 1		
			2: S pattern acceleration /deceleration curve 2		
			3: S pattern acceleration /deceleration curve 3		
01-06	P.7	Acceleration time	3.7K and types below: 0 ~ 360.00s/0 ~ 3600.0s	5.00s	72
			5.5K types: 0 ~ 360.00s/0 ~ 3600.0s	10.00s	
01-07	P.8	Deceleration time	3.7K and types below: 0 ~ 360.00s/0 ~ 3600.0s	5.00s	72
			5.5K types: 0 ~ 360.00s/0 ~ 3600.0s	10.00s	
01-08	P.21	Acceleration/deceleration time increments	0: Time increment is 0.01s	0	72
			1: Time increment is 0.1s		
01-09	P.20	Acceleration/deceleration reference frequency	50Hz system setting: 1.00 ~ 650.00Hz	50.00Hz	72
			60Hz system setting: 1.00 ~ 650.00Hz	60.00Hz	
01-10	P.0	Torque boost	0.4K~0.75K types: 0 ~ 30.0%	6.0%	74
			1.5K ~ 3.7K types: 0 ~ 30.0%	4.0%	
			5.5K types: 0 ~ 30.0%	3.0%	
01-11	P.13	Starting frequency	0 ~ 60.00Hz	0.50Hz	74
01-12	P.14	Load pattern selection	0:Applicable to constant torque loads(convey belt, etc.)	0	75
			1:Applicable to variable torque loads (fans and pumps, etc.)		
			2、3:Applicable to ascending / descending loads		
			4:Multipoint VF curve		
			5 ~ 13:Special two-point VF curve		
01-13	P.15	JOG frequency	0 ~ 650.00Hz	5.00Hz	78
01-14	P.16	JOG acceleration/ deceleration time	0 ~ 360.00s/0 ~ 3600.0s	0.50s	78
01-15	P.28	Output frequency filter time	0 ~ 1000ms	0ms	78
01-16	P.91	Fequency jump 1A	0 ~ 650.00Hz	99999	79
			99999: invalid		
01-17	P.92	Fequency jump 1B	0 ~ 650.00Hz	99999	79
			99999: invalid		
01-18	P.93	Fequency jump 2A	0 ~ 650.00Hz	99999	79
			99999: invalid		

Basic parameter group 01

Group	Parameter Number	Name	Setting Range	Factory Value	Page
01-19	P.94	Frequency jump 2B	0 ~ 650.00Hz	99999	79
			99999: invalid		
01-20	P.95	Frequency jump 3A	0 ~ 650.00Hz	99999	79
			99999: invalid		
01-21	P.96	Frequency jump 3B	0 ~ 650.00Hz	99999	79
			99999: invalid		
01-22	P.44	The second acceleration time	0 ~ 360.00s/0 ~ 3600.0s	99999	80
			99999: Not selected		
01-23	P.45	The second deceleration time	0 ~ 360.00s/0 ~ 3600.0s	99999	80
			99999: Not selected		
01-24	P.46	The second torque boost	0 ~ 30.0%	99999	80
			99999: Not selected		
01-25	P.47	The second base frequency	0 ~ 650.00Hz	99999	80
			99999: Not selected		
01-26	P.98	Middle frequency 1	0 ~ 650.00Hz	3.00Hz	81
01-27	P.99	Output voltage 1 of middle frequency	0 ~ 100.0%	10.0%	81
01-28	P.162	Middle frequency 2	0 ~ 650.00Hz	99999	81
			99999: Not selected		
01-29	P.163	Output voltage 2 of middle frequency	0 ~ 100.0%	0.0%	81
01-30	P.164	Middle frequency 3	0 ~ 650.00Hz	99999	81
			99999: Not selected		
01-31	P.165	Output voltage 3 of middle frequency	0 ~ 100.0%	0.0%	81
01-32	P.166	Middle frequency 4	0 ~ 650.00Hz	99999	81
			99999: Not selected		
01-33	P.167	Output voltage 4 of middle frequency	0 ~ 100.0%	0.0%	81
01-34	P.168	Middle frequency 5	0 ~ 650.00Hz	99999	81
			99999: Not selected		
01-35	P.169	Output voltage 5 of middle frequency	0 ~ 100.0%	0.0%	81
01-36	P.255	S pattern time at the beginning of acceleration	0 ~ 25.00s/0 ~ 250.0s	0.20s	82
01-37	P.256	S pattern time at the end of acceleration	0 ~ 25.00s/0 ~ 250.0s	99999	82
			99999: Not selected		
01-38	P.257	S pattern time at the beginning of deceleration	0 ~ 25.00s/0 ~ 250.0s	99999	82
			99999: Not selected		
01-39	P.258	S pattern time at the end of deceleration	0 ~ 25.00s/0 ~ 250.0s	99999	82
			99999: Not selected		

### 5.2.1 Limiting the output frequency

- ◆ Output frequency can be limited. Clamp the output frequency at the upper and lower limits.

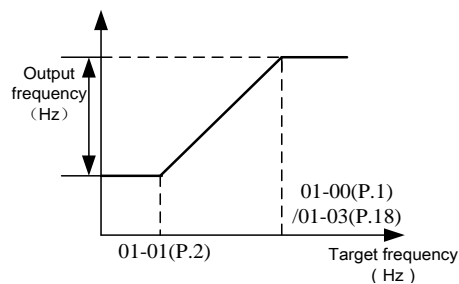
Parameter	Name	Factory Value	Setting Range	Content
01-00 P.1	Maximum frequency	120.00Hz	0.00 ~ 01-02(P.18)Hz	
01-01 P.2	Minimum frequency	0.00Hz	0 ~ 120.00Hz	Output minimum frequency
01-02 P.18	High-speed maximum frequency	120.00Hz	01-00(P.1) ~ 650.00Hz	Set when above 120Hz

**Setting** Maximum frequency, high-speed maximum frequency

- ◆ The “maximum frequency” and the “high-speed maximum frequency” are interrelated:
  1. If the target upper limit frequency is set below 01-00(P.1), use 01-00 as the maximum frequency;
  2. If the target frequency limited to between 120~650Hz, use 01-02 as the maximum frequency.
- ◆ If  $01-00 < 01-01$ , the steady output frequency will be clamped to 01-00.
- ◆ When setting the target frequency in PU mode, the set frequency value cannot exceed the value of 01-00.

**Setting** Minimum frequency

- ◆ If the target frequency  $\leq 01-01$ , the steady output frequency equals to = 01-01.
- ◆ If  $01-01 < \text{target frequency} \leq 01-00$  (01-03), the steady output frequency equals to target frequency.



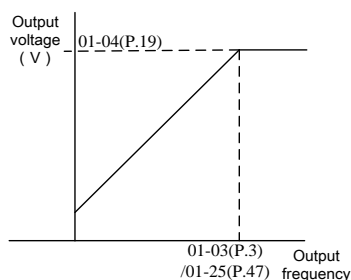
### 5.2.2 Base frequency, basefrequency voltage

- ◆ Use this function to adjust the inverter outputs (voltage, frequency) to match with the motor rating.

Parameter	Name	Factory Value	Setting Range	Content
01-03 P.3	Base frequency	50.00Hz	0.00 ~ 650.00Hz	50Hz system (00-24=1)
		60.00Hz		60Hzsystem (00-24=0)
01-04 P.19	Base frequency voltage	99999	0 ~ 1000.0V	Set the base frequency voltage according to the motor rating.
			99999	The base frequency voltage is equal to the power source voltage.

**Setting** Base frequency

- ◆ Generally set the rated frequency of the motor in 01-03.  
When the frequency on the motor rating plate is only "50 Hz", make sure to set to "50 Hz". When it is set to "60 Hz", the voltage will drop too much, causing insufficient torque. As a result, the inverter may trip due to overload.
- ◆ When the motor operation require switching to commercial power supply, set commercial power supply in 01-03.



Note: Please refer to 5.2.10 The second function for the second base frequency.

**Setting** Base frequency voltage

- ◆ If the output frequency is lower than the base frequency, the output voltage of the inverter will increase with output frequency. If the output frequency has reached the base frequency (01-03), the output voltage will just be equal to the base frequency voltage. If the output frequency exceeds the base frequency and increase continuously, the output voltage will be clamped to the base frequency voltage.

## 5.2.3 Acceleration/deceleration time setting

- ◆ Use this function to set motor acceleration/deceleration time.

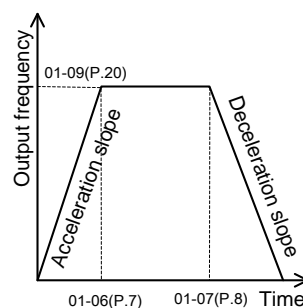
Parameter	Name	Factory Value	Setting Range	Content
01-05 P.29	Acceleration/deceleration curve selection	0	0	Linear acceleration /deceleration curve
			1	S pattern acceleration /deceleration curve 1 (Note 1)
			2	S pattern acceleration /deceleration curve 2 (Note 2)
			3	S pattern acceleration /deceleration curve 3 (Note 3)
01-06 P.7	Acceleration time	5.00s	0 ~ 360.00s	3.7K and types below
		10.00s	0 ~ 3600.0s	5.5K types
01-07 P.8	Deceleration time	5.00s	0 ~ 360.00s	3.7K and types below
		10.00s	0 ~ 3600.0s	5.5K types
01-08 P.21	Acceleration/deceleration time increments	0	0	Time increment is 0.01s
			1	Time increment is 0.1s
01-09 P.20	Acceleration/deceleration reference frequency	50.00Hz	1.00 ~ 650.00Hz	50Hz system setting (00-24=1)
		60.00Hz		60Hz system setting(00-24=0)

Setting Acceleration/deceleration curve selection

- ◆ Linear acceleration /deceleration curve(01-05="0")

An acceleration slope is constructed by the combination of 01-06 and 01-09. A deceleration slope is constructed by the combination of 01-06 and 01-09.

When the target frequency varies, it increases with the "acceleration slope" or decreases with the "deceleration slope" linearly. See the figure below:



- ◆ S pattern acceleration /deceleration curve 1(01-05="1")

An acceleration slope is constructed by the combination of 01-06 and 01-03. A deceleration slope is constructed by the combination of 01-07 and 01-03.

The acceleration / deceleration curve has an S-shape change according to the "acceleration / deceleration slope".

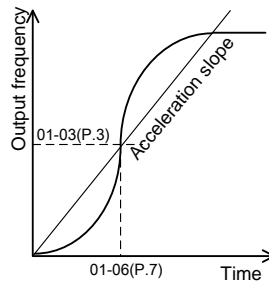
The S-shape equation between 0 and 01-03(P.3) is:

$$f = \left[ 1 - \cos\left(\frac{90^\circ \times t}{P.7}\right) \right] \times P.3$$

The S-shape equation of 01-03(P.3) or above is:

$$t = \frac{4}{9} \times \frac{P.7}{(P.3)^2} \times f^2 + \frac{5}{9} \times P.7$$

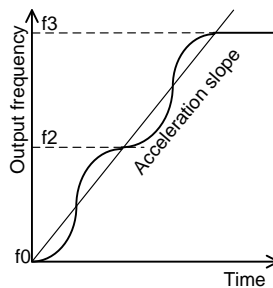
t = time; f = output frequency



◆ S pattern acceleration /deceleration curve 2(01-05="2")

An acceleration slope is formed by the combination of 01-06 and 01-09. A deceleration slope is formed by the combination of 01-07 and 01-09.

When the target frequency varies, the acceleration curve has an S-shape ascending according to the "acceleration slope". The deceleration curve on the other hand has an S-shape deceleration according to the "deceleration slope". As shown in the figure below, when the setting value of the inverter is adjusted from  $f_0$  to  $f_2$ , an S-shape acceleration is undertaken once, and the time is  $01-06 \times (f_2 - f_0) / 01-09$ . Then if the frequency is set from  $f_2$  to  $f_3$ , a second S-shape acceleration is experienced, and the time is  $01-06 \times (f_3 - f_2) / 01-09$ .



◆ S pattern acceleration /deceleration curve 3(01-05="3")

Please refer to 5.2.12 S pattern time setting.

Setting Acceleration/deceleration time increments

- ◆ When 01-08=0, minimum acceleration / deceleration time (01-06、01-07、01-14、01-22、01-23、04-35~04-42) increment is 0.01s.
- ◆ When 01-08=1, minimum acceleration / deceleration time(01-06、01-07、01-14、01-22、01-23、04-35~04-42) increment is 0.1s.

Setting Acceleration / deceleration reference frequency

- ◆ When the output frequency of the inverter is accelerated from 0Hz to 01-09, the required time is defined as "acceleration time".
- ◆ When the output frequency of the inverter is decelerated from 0Hz to 01-09, the required time is defined as "deceleration time".

Note: 1. S pattern acceleration /deceleration curve 1 is used when acceleration/deceleration is required for a short time until a high-speed area equal to or higher than the base frequency, such as for the main shaft of the machine.

2. S pattern acceleration /deceleration curve 2 can effectively reduce motor vibration during the acceleration / deceleration, and thus prevent the belts and gears from broken.

3. S pattern acceleration /deceleration curve 3 is used to start the inverter gradually without impact.

4. Please refer to Section 5.2.10 The second function for the second acceleration/deceleration time.

5. When RT is "on", the second function is valid. For the operation characteristics of the motor, please refer to Section 5.2.10. RT mentioned in this section is the function name of the "multi-function digital input terminal". Please refer to 03-00~03-06, 03-09 for function selection and purposes of the multi-function digital input terminal. For related wiring, please refer to Section 3.5.

## 5.2.4 Torque boostV/F

- ◆ For an inverter controlled by V/F mode, when the motor starts up, the starting torque is usually inadequate since the output voltage of the inverter is inadequate. In this case, the output voltage can be elevated by properly setting the torque boost (01-10), and thus a better starting torque can be acquired.

Parameter	Name	Factory Value	Setting Range	Content
01-10 P.0	Torque boost	6.0%	0 ~ 30.0%	0.75K types
		4.0%		1.5K ~ 3.7K types
		3.0%		5.5K types

Setting Torque boost

- ◆ If 01-10=6% and 01-04=220V, and when output frequency of the inverter is 0.2Hz, the output voltage is:

$$P.19 \times \left( \frac{100\% - P.0}{P.3} \times f + P.0 \right) = 220V \times \left( \frac{100\% - 6\%}{50Hz} \times 0.2Hz + 6\% \right) = 14.03V$$

- ◆ If RT is "on," "the second torque boost" on 01-24 is valid (Note 2).

Note: 1. If the set value of 01-10 is too high, it will activate current inverter protection or the activation will be impeded.  
 2. Please refer to Section 5.2.10 for the second torque boost.  
 3. RT mentioned in this section is the function name of the "multi-function digital input terminal". Please refer to 03-00~03-06, 03-09 for function selection and purposes of the multi-function digital input terminal. For related wiring, please refer to Section 3.5.

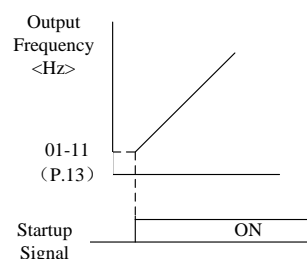
## 5.2.5 Starting frequency

- ◆ When the motor starts up, the instantaneous output frequency of the inverter is called "starting frequency".

Parameter	Name	Factory Value	Setting Range	Content
01-11 P.13	Starting frequency	0.50Hz	0 ~ 60.00Hz	---

Setting Starting frequency

- ◆ If the target frequency of the inverter is lower than the setting value of 01-11, the motor will not run. When the signal of the motor starts, the output frequency will go up from the value of 01-11.



5.2.6 Load pattern selection V/F

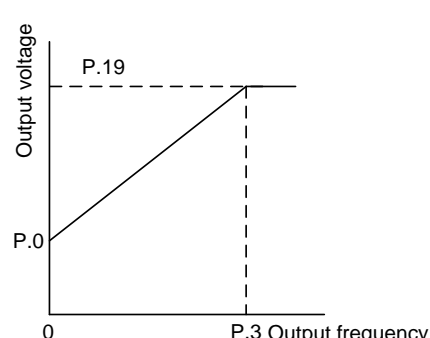
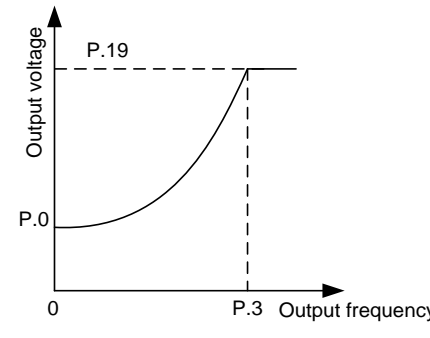
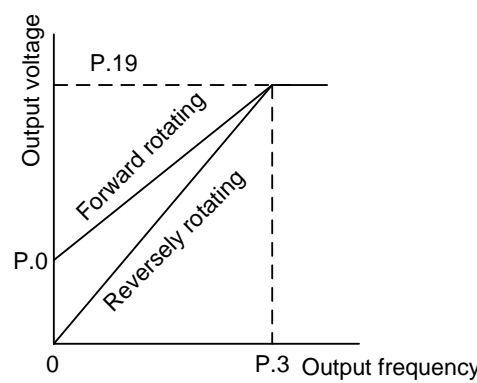
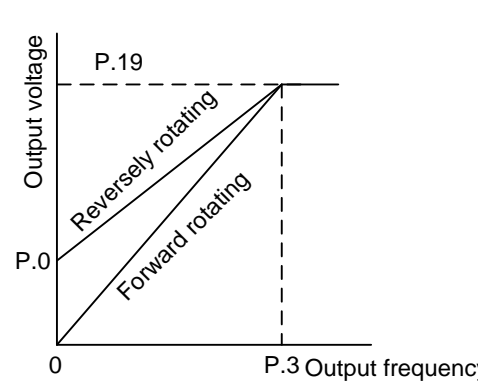
◆ Optimal output characteristics for application or load characteristics can be selected when in V/F control.

Parameter	Name	Factory Value	Setting Range	Content
01-12 P.14	Load pattern selection	0	0	Applicable to constant torque loads(convey belt, etc.)
			1	Applicable to variable torque loads (fans and pumps, etc.)
			2、 3	Applicable to ascending / descending loads
			4	Multipoint VF curve
			5 ~ 13	Special two-point VF curve

Setting Load pattern selection

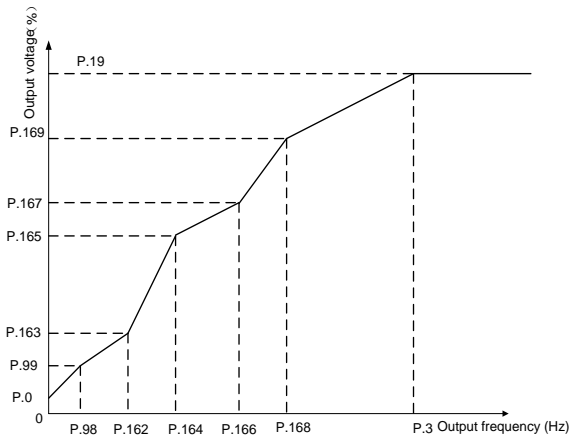
◆ When 01-12 = 4, suppose that 01-04=220V, 01-26=5Hz, 01-27=10%, when the inverter is running at5Hz, the output voltage equals to 01-04×01-27 = 220V×10% = 22V.

◆ If RT is “on”, 01-24 “the second torque boost” is valid.

<p style="text-align: center;">01-12 = 0</p>  <p style="text-align: center;">Applicable to constant torque loads (convey belt, etc.)</p>	<p style="text-align: center;">01-12 = 1</p>  <p style="text-align: center;">Applicable to variable torque loads (Fans and pumps, etc.)</p> <p style="text-align: center;">Curve equation of output voltage and output frequency is:</p> $V = \frac{(\text{Base voltage} - \text{Base voltage} * P.0) * \text{Output frequency}^2}{\text{Base frequency}^2} + \text{Base voltage} * P.0$
<p style="text-align: center;">01-12 = 2</p>  <p style="text-align: center;">Ascending / descending loads</p>	<p style="text-align: center;">01-12 = 3</p>  <p style="text-align: center;">Ascending / descending loads</p>

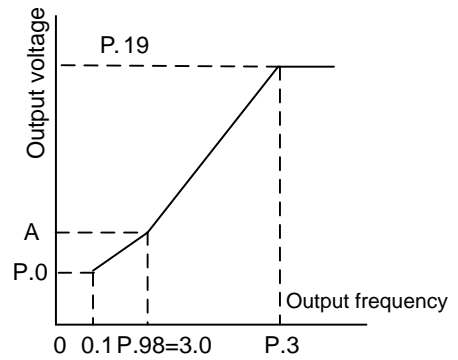


01-12 = 4



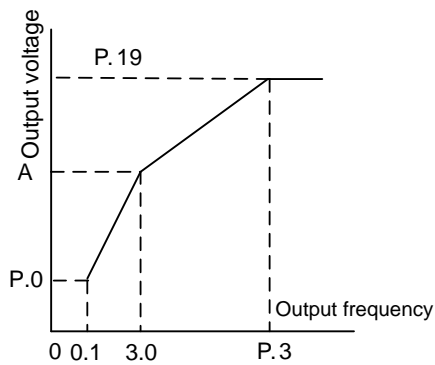
Whether it is high startup torque or descending torque, they are due to the set values (Note 1).

01-12=5



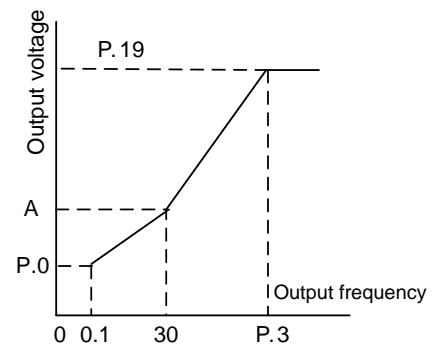
When P.14 = 5, the value of A is 7.1% (Note 2).

01-12 = 6, 7, 8



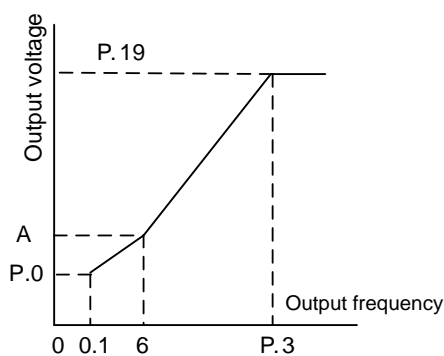
When 01-12=6, the value of A is 8.7%. When 01-12=7, the value of A is 10.4%. When 01-12=8, the value of A is 12.0%. (Note 2)

01-12 = 9, 10



When P.14=9, the value of A is 20.0%. When P.14=10, the value of A is 25.0%. (Note 2)

01-12 = 11, 12, 13



When 01-12 = 11, the value of A is 9.3%. When 01-12 = 12, the value of A is 12.7%. When 01-12 = 13, the value of A is 16.1%. (Note 2)

Note: 1. Referring to the diagrams above, set 01-26 and 01-27, if one point is needed. Set 01-26, 01-27, 01-28 and 01-29 if two points are needed. 01-26, 01-27, 01-28, 01-29, 01-30 and 01-31 if three points are needed.

2. If you set 01-12 between 5 and 13, the curve will be invalid when 01-10 is larger than the point A, where point A equals to 01-10.

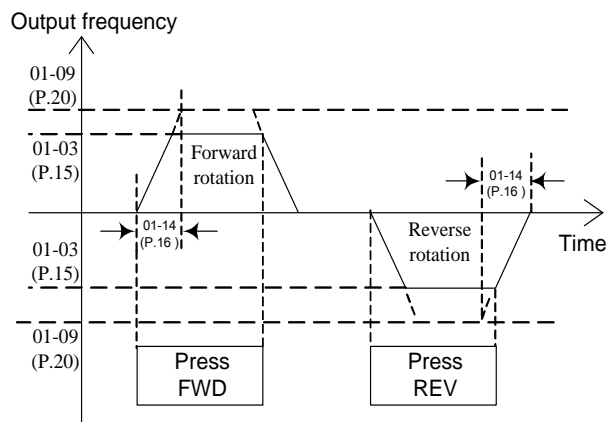
### 5.2.7 JOG operation

- ◆ The frequency and acceleration/deceleration time for JOG operation can be set. JOG operation can be used for conveyor positioning, test run, etc.

Parameter	Name	Factory Value	Setting Range	Content
01-13 P.15	JOG frequency	5.00Hz	0 ~ 650.00Hz	---
01-14 P.16	JOG acceleration/ deceleration time	0.50s	0 ~ 360.00s/ 0 ~ 3600.0s	01-08=0/ 01-08=1

**Setting** JOG operation

- ◆ In JOG mode, the output frequency is the set value of 01-13, and the acceleration / deceleration time is the set value of 01-14.



Note: Please refer to Section 4.3.3 for how to enter the JOG mode.

### 5.2.8 Output frequency filter time

- ◆ When Output frequency filter time is set, the inverter can filter out the output frequency to reduce machine vibration upon high-frequency and low-frequency is switched.

Parameter	Name	Factory Value	Setting Range	Content
01-15 P.28	Output frequency filter time	0	0 ~ 31	---

**Setting** Output frequency filter time

- ◆ The bigger the output frequency filter time is, the better the filtering effect is. But the corresponding response delay will also increase.
- ◆ When the value is 0, the filter function is invalid.

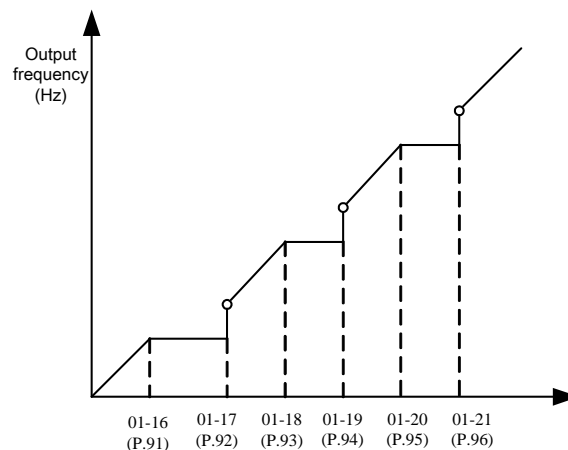
## 5.2.9 Frequency jump

- ◆ When it is desired to avoid resonance attributable to the natural frequency of a mechanical system, these parameters allow resonant frequencies to be jumped.

Parameter	Name	Factory Value	Setting Range	Content
01-16 P.91	Frequency jump 1A	99999	0 ~ 650.00Hz	---
			99999	Invalid.
01-17 P.92	Frequency jump 1B	99999	0 ~ 650.00Hz	---
			99999	Invalid.
01-18 P.93	Frequency jump 2A	99999	0 ~ 650.00Hz	---
			99999	Invalid.
01-19 P.94	Frequency jump 2B	99999	0 ~ 650.00Hz	---
			99999	Invalid.
01-20 P.95	Frequency jump 3A	99999	0 ~ 650.00Hz	---
			99999	Invalid.
01-21 P.96	Frequency jump 3B	99999	0 ~ 650.00Hz	---
			99999	Invalid.

### Setting Frequency jump

- ◆ To avoid system's mechanical resonance frequency when running the motor, the inverter provides three sets of jump frequencies, namely, 01-16 and 01-17 (the first set), 01-18 and 01-19 (the second set), 01-20 and 01-21 (the third set).



- ◆ For example: assuming 01-16=45 and 01-17=50;  
 If the target frequency  $\leq 45$ Hz, then the steady output frequency = the target frequency.  
 If  $45\text{Hz} \leq \text{target frequency} < 50$ Hz, then the steady output frequency = 45Hz.  
 If the target frequency  $\geq 50$ Hz, then the steady output frequency = the target frequency.

Note: 1. During the acceleration / deceleration period, the output frequency of the inverter will still pass through the jump frequency.

2. When 01-16=99999 or 01-17=99999, the first set of frequency jump is invalid.  
 When 01-18=99999 or 01-19=99999, the second set of frequency jump is invalid.  
 When 01-20=99999 or 01-21=99999, the third set of frequency jump is invalid.

## 5.2.10 The second function

- ◆ It is appropriate for the parameters when the RT signal is ON.

Parameter	Name	Factory Value	Setting Range	Content
01-22 P.44	The second acceleration time	99999	0 ~ 360.00s/ 0 ~ 3600.0s	01-08=0/ 01-08=1
			99999	Not selected.
01-23 P.45	The second deceleration time	99999	0 ~ 360.00s/ 0 ~ 3600.0s	01-08=0/ 01-08=1
			99999	Not selected.
01-24 P.46	The second torque boost	99999	0 ~ 30.0%	---
			99999	Not selected.
01-25 P.47	The second base frequency	99999	0 ~ 650.00Hz	---
			99999	Not selected.

### Setting The second function

- ◆ When 01-08=0, minimum acceleration / deceleration time(01-22, 01-23)increment is0.01s.
- ◆ When 01-08=1, minimum acceleration / deceleration time(01-22、 01-23)increment is0.1s.
- ◆ When RTis “on”, the second function is valid. For the operation characteristics of the motor, please refer to the following second function setting.

If 01-22≠99999 and 01-23=99999, when RT is “on”, the acceleration /deceleration time is the “set value of 01-22”.

If 01-22≠99999 and 01-24=99999, when RT is “on”,the torque boost is the “set value of 01-10”.

If 01-22≠99999 and01-24≠99999, when RT is “on”,the torque boost is the “set value of01-24”.

If 01-22≠99999 and 01-25=99999, when RT is “on”,the base frequency isthe “set value of 01-03”.

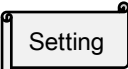
If 01-22≠99999 and01-25≠99999, when RT is “on”, the base frequency is the “set value of 01-25”.

Note: RT metioned here is the function name of “multi-function digital input terminal”. Please refer to 03-00~03-05/  
P.80~P.84,P.86, 03-06(P.126), 03-09(P.550) for the function selection of multi-function digital input terminal;  
please refer to Section 3.5 for related wiring.

## 5.2.11 Middle frequency, output voltage of middle frequencyV/F

- ◆ Parameters can be set when using a special motor, especially adjusting the motor torque.

Parameter	Name	Factory Value	Setting Range	Content
01-26 P.98	Middle frequency 1	3.00Hz	0 ~ 650.00Hz	---
01-27 P.99	Output voltage 1 of middle frequency	10.0%	0 ~ 100.0%	---
01-28 P.162	Middle frequency 2	99999	0 ~ 650.00Hz	---
			99999	Not selected.
01-29 P.163	Output voltage 2 of middle frequency	0.0%	0 ~ 100.0%	---
01-30 P.164	Middle frequency 3	99999	0 ~ 650.00Hz	---
			99999	Not selected.
01-31 P.165	Output voltage 3 of middle frequency	0.0%	0 ~ 100.0%	---
01-32 P.166	Middle frequency 4	99999	0 ~ 650.00Hz	---
			99999	Not selected.
01-33 P.167	Output voltage 4 of middle frequency	0.0%	0 ~ 100.0%	---
01-34 P.168	Middle frequency 5	99999	0 ~ 650.00Hz	---
			99999	Not selected.
01-35 P.169	Output voltage 5 of middle frequency	0.0%	0 ~ 100.0%	---

 Middle frequency, output voltage of middle frequency

- ◆ Please refer to the description on 01-12=4 in Section 5.2.6 Load pattern selection.

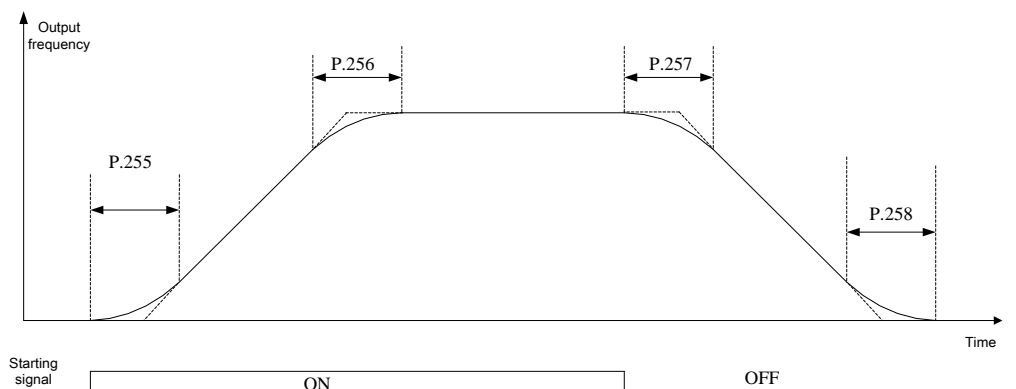
5.2.12 S pattern time

◆ It is used to set the acceleration time of S pattern acceleration/deceleration.

Parameter	Name	Factory Value	Setting Range	Content
01-36 P.255	S pattern time at the beginning of acceleration	0.20s	0 ~ 25.00s/ 0 ~ 250.0s	01-08=0/ 01-08=1
01-37 P.256	S pattern time at the end of acceleration	99999	0 ~ 25.00s/ 0 ~ 250.0s	01-08=0/ 01-08=1
			99999	Not selected.
01-38 P.257	S pattern time at the beginning of deceleration	99999	0 ~ 25.00s/ 0 ~ 250.0s	01-08=0/ 01-08=1
			99999	Not selected.
01-39 P.258	S pattern time at the end of deceleration	99999	0 ~ 25.00s/ 0 ~ 250.0s	01-08=0/ 01-08=1
			99999	Not selected.

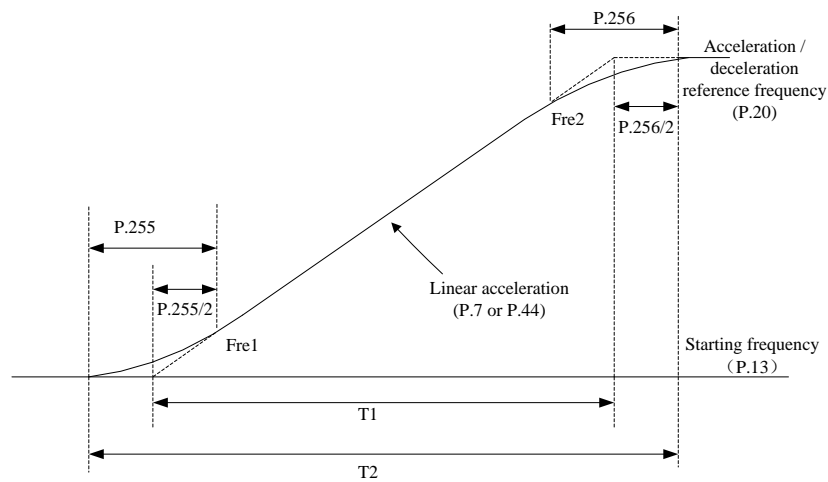
Setting S pattern time

◆ When 01-05 = 3, "S pattern acceleration /deceleration curve 3".



- 1) The parameters 01-36, 01-37, 01-38 and 01-39 are used to start the inverter gradually without impact. And varying degrees of S pattern acceleration/deceleration curve are adjusted by the values. When the S pattern acceleration/deceleration curve is started, the inverter will accelerate/decelerate with different speed according to the primary acceleration/deceleration time.
- 2) When S pattern acceleration/deceleration curve 3 is selected, the acceleration/ deceleration time will be longer, as follows.
- 3) When the selected acceleration time (01-06 or 01-22) ≥ 01-36 and 01-37, the actual acceleration time is as follows:  
The actual acceleration time = the selected acceleration time + (01-36 + 01-37) / 2
- 4) When the selected deceleration time (01-07 or 01-23) ≥ 01-38 and 01-39, the actual deceleration time is as follows:  
The actual deceleration time = the selected deceleration time + (01-38 + 01-39) / 2

Example: when the parameters are initial value (60 Hz system), the actual acceleration time from 0Hz to 60Hz in accordance with S pattern acceleration/deceleration curve 3 is as follows:



The acceleration time being set  $T1 = (01-09 - 01-11) * 01-06 / 01-09$

The actual acceleration time  $T2 = T1 + (01-36 + 01-37) * (01-09 - 01-11) / 2 / 01-09$

So  $T1 = (60 - 0.5) * 5 / 60 = 4.96s$  (the actual acceleration time of linear acceleration)

The actual acceleration time  $T2 = 4.96 + (0.2 + 0.2) * (60 - 0.5) / 2 / 60 = 5.16s$

Note: All calculations of acceleration/deceleration time are based on 01-09.

## 5.3 Analog input and output parameter group 02

Group	Parameter Number	Name	Setting Range	Factory Value	Page
02-06	P.185	Proportion linkage gain	0 ~ 100%	0%	85
02-07	P.240	Auxiliary frequency	0: No auxiliary frequency function is available. 2: operation frequency = basic frequency + auxiliary frequency (given by the 4-5 terminal) 4: operation frequency = basic frequency - auxiliary frequency (given by the 4-5 terminal) 6: Operation frequency = 3-5 terminal linkage signal given as a percentage	0	86
02-10	P.60	3-5 filter time	0 ~ 2000ms	31ms	87
02-20	P.17	3-5 signal selection	0: The effective range of signal sampling is 4~20mA. 1: The effective range of signal sampling is 0 ~ 10V. 2: The effective range of signal sampling is 0 ~ 5V.	1	87
02-21	P.39	The maximum operation frequency of terminal 4-5	50Hz system: 1.00 ~ 650.00Hz 60Hz system: 1.00 ~ 650.00Hz	50.00Hz 60.00Hz	87
02-24	P.184	3-5 disconnection selection	0: No disconnection selection is available. 1: Decelerate to 0Hz, the digital output terminal will set off the alarm 2: The inverter will stop immediately, and the panel will display the "AEr" alarm. 3: The inverter will run continuously according to the frequency reference before the disconnection. The digital output terminal will set off the alarm.	0	87
02-25	P.198	The minimum input current/ voltage of terminal 3-5	0 ~ 20.00 mA /V	0.00V	87
02-26	P.199	The maximum input current/ voltage of terminal 3-5	0 ~ 20.00 mA/ V	10.00V	87
02-27	P.196	The percentage corresponding to the minimum input current/ voltage of terminal 3-5	0% ~ 100.0%	0.0%	87
02-28	P.197	The percentage corresponding to the maximum input current/ voltage of terminal 3-5	0% ~ 100.0%	100.0%	87
02-52	P.56	Output current display the datum	0~500.00A	According to type	
02-61	P.141	3-5 current/voltage input corresponding to the percentage of plus or minus	0~11	0	



### 5.3.1 Proportion linkage gain

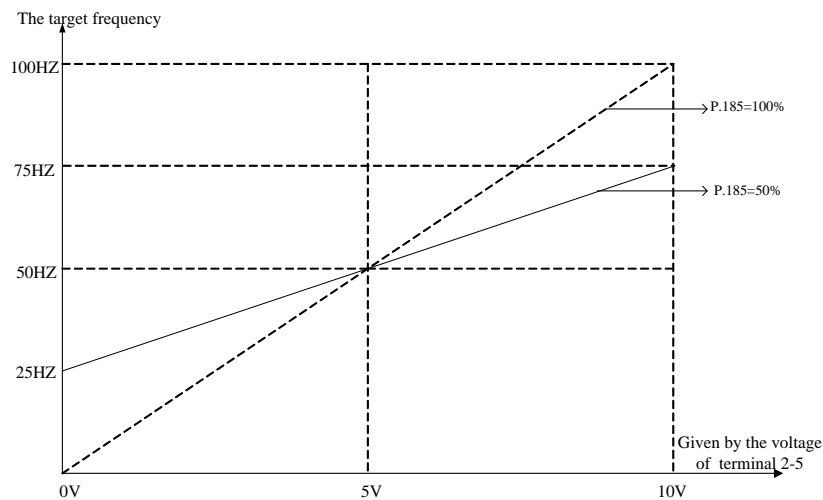
- ◆ The function is used to multiply the setting frequency by the external analog input terminal. When many inverters run proportionally, the reference frequency from the master inverter to the slave inverter can be fine tuned effectively with the function.

Parameter	Name	Factory Value	Setting Range	Content
02-06 P.185	Proportion linkage gain	0%	0 ~ 100%	---

#### Setting Proportion linkage gain

- ◆ When the operation frequency is smaller than 01-01, the operation frequency will be equal to the minimum limited frequency 01-01. When the operation frequency is larger than 01-00, the operation frequency will be equal to the maximum limited frequency 01-00.
- ◆ After multiplying the setting frequency by the set value of 02-06, then addition and subtraction can be performed as the following shows:

For example: When the setting frequency is 50Hz, 02-06=50% and the external analog input signal is 0~10V.



In the above figure, when 0V is given, the target frequency is 50Hz - (50Hz × 50%) = 25Hz;

when 5V is given, the target frequency is 50Hz - (50Hz × 0%) = 50Hz;

when 10V is given, the target frequency is 50Hz + (50Hz × 50%) = 75Hz.

Note: 1. Please refer to the instruction of 02-07(P.240) for the proportion linkage signal input.

2. When the analog current/voltage signal of external terminal 3-5 is taken as the proportion linkage input signal, please refer to the parameter 02-20. For the frequency range setting of external analog signal, please refer to the parameters 02-21.

## 5.3.2Auxiliary frequency

- ◆ It can flexibly implement fine tuning of frequency and frequency synthesis to meet different control requirements of different scenarios.

Parameter	Name	Factory Value	Setting Range	Content
02-07 P.240	Auxiliary frequency	0	0	No auxiliary frequency function is available.
			2	Operation frequency = basic frequency + auxiliaryfrequency (given by the 3-5 terminal)
			4	Operation frequency = basic frequency - auxiliary frequency (given by the 3-5 terminal)
			6	Operation frequency = 3-5Terminal linkage signal given as a percentage

 Setting Auxiliary frequency

- ◆ When the operation frequency is smaller than 01-01, the operation frequency will be equal to the minimum limited frequency 01-01. When the operation frequency is larger than 01-00, the operation frequency will be equal to the maximum limited frequency 01-00.

Note:1. The basic frequency is set by operation penal which is the target frequency reference source, communication or multi-speed combination.

2. Please refer to the instruction of 02-06 for the proportion linkage signal input.

3. When the analog current/voltage signal of external terminal 3-5 is taken as the proportion linkage input signal, please refer to the parameter 02-20. For the frequency range setting of external analog signal, please refer to the parameters 02-21.

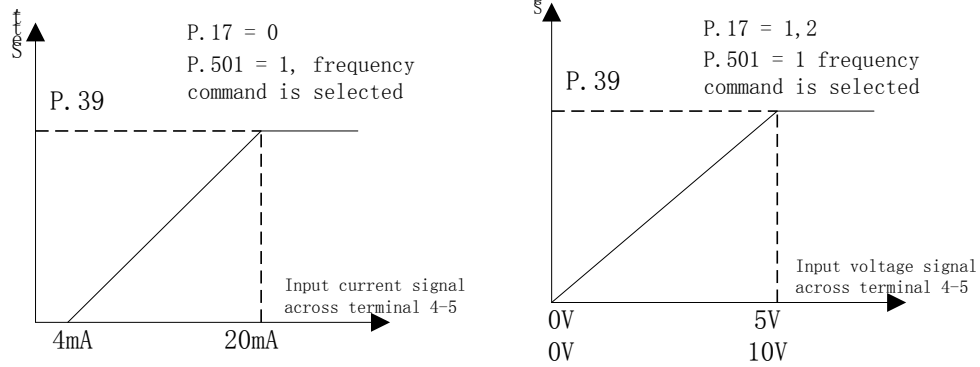
## 5.3.3 Selection and handling of input terminal 3-5

- ◆ Selects the signal specifications, frequency compensation function, etc, via input terminal 3-5.

Parameter	Name	Factory Value	Setting Range	Content
02-10 p.60	3~5 filter time	31ms	0 ~ 2000ms	---
02-20 P.17	3-5 signal selection	1	0	The effective range of signal sampling is 4~20mA.
			1	The effective range of signal sampling is 0 ~ 10V.
			2	The effective range of signal sampling is 0 ~ 5V.
02-21 P.39	The maximum operation frequency of terminal 4-5	50.00Hz	1.00 ~ 650.00Hz	50Hz syetem (00-24=1)
		60.00Hz		60Hz syetem (00-24=0)
02-24 P.184	3-5 disconnection selection	0	0	No disconnection selection is available.
			1	Decelerate to 0Hz, the digital output terminal will set off the alarm
			2	The inverter will stop immediately, and the panel will display the "AEr" alarm.
			3	The inverter will run continuously according to the frequency reference before the disconnection. The digital output terminal will set off the alarm.
02-25 P.198	The minimum input current/voltage of terminal 3-5	0.00V	0 ~ 20.00mA/V	---
02-26 P.199	The maximum input current/voltage of terminal 3-5	10.00V	0 ~ 20.00mA/V	---
02-27 P.196	The percentage corresponding to the minimum input current/voltage of terminal 3-5	0.0%	0% ~ 100.0%	---
02-28 P.197	The percentage corresponding to the maximum input current/voltage of terminal 3-5	100.0%	0% ~ 100.0%	---
02-61 P.141	3-5 current/voltage input corresponding to the percentage of plus or minus	0	0~11	---

Setting 3-5 signal selection, 3-5 maximum operation frequency

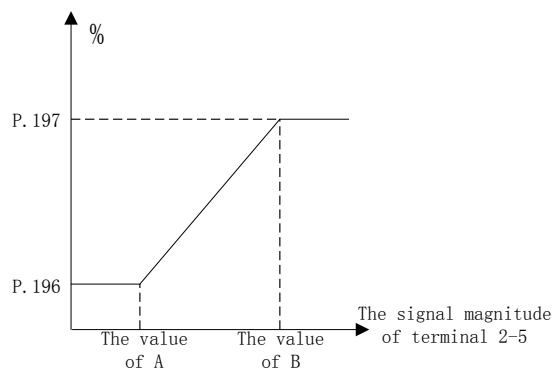
- ◆ The setting value of 02-21 is the target frequency value of the inverter when the input signal of terminal 3-5 is 20mA ( 5V/10V ) .



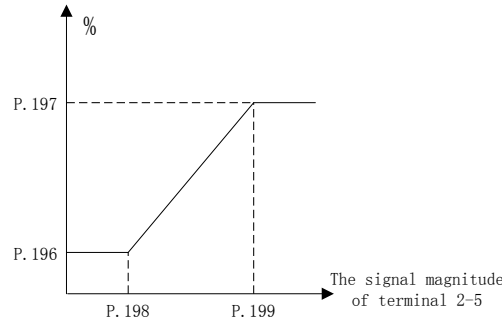
**Setting** Handling of input terminal 3-5

- ◆ The parameters above define the relationship between analog input voltage and the setting value what analog input represents. When the analog input voltage exceeds the maximum or minimum range of the setting value, the excess will be computed as the maximum or minimum input.
- ◆ There are two setting order when the maximum or minimum percentage is set:
  - 1 ) If the users hope to adjust the analog input magnitude to correspond to a certain proportion relationship, the analog input need to be adjusted before setting the corresponding proportion parameters. Now the inverter will compute automatically without setting the voltage parameters. Please refer to the example 1.1.
  - 2 ) If the users skip adjusting analog input to set the proportion relationship, the proportion parameter should be set before setting the voltage parameters. Please refer to the example 1.2.

Example 1.1: Adjust the analog input voltage to the minimum value A and set the parameter 02-25. Then adjust the input voltage to the maximum value B and set the parameter 02-26. The figure is shown as follows:



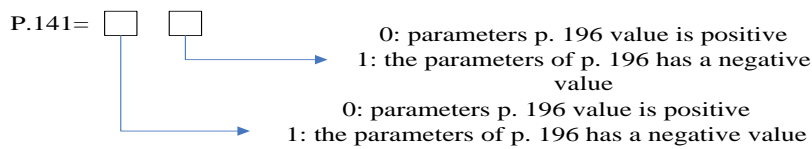
Example 1.2: Set the value of 02-27 and 02-28, then set 02-25 and 02-26. The figure is shown as follows:



If choose for external simulation for frequency, according to the above to calculate the proportion of times the 02-21 for the actual frequency of the input value (3-5 current/voltage input corresponding percentage choice of 02-61 = 0).

**Setting** 3-5 Current/voltage input corresponding to the percentage of plus or minus

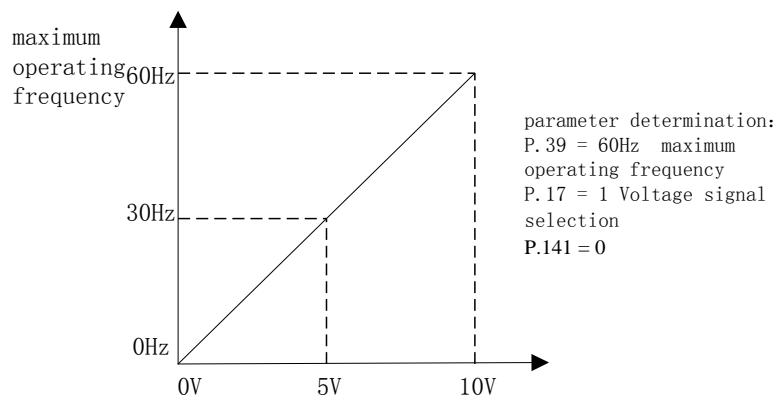
◆ parameters p.141 set set in a way, a total of two, its the meaning of each said as follows:



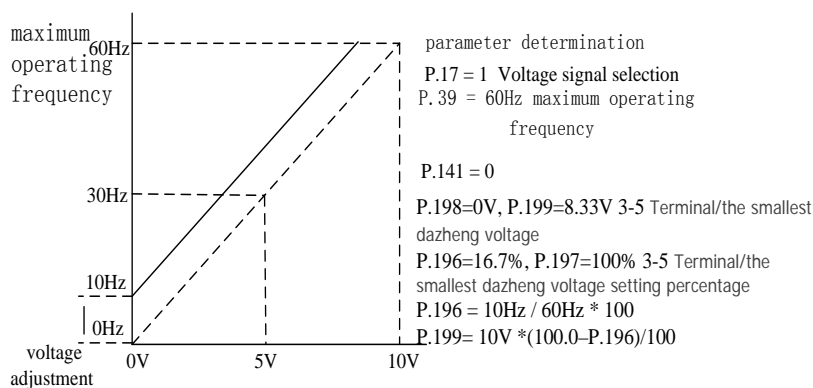
If a given current/voltage is negative, the percentage of the input frequency converter according to the given operation direction reverse operation.

✓ 3-5 Terminal of some examples

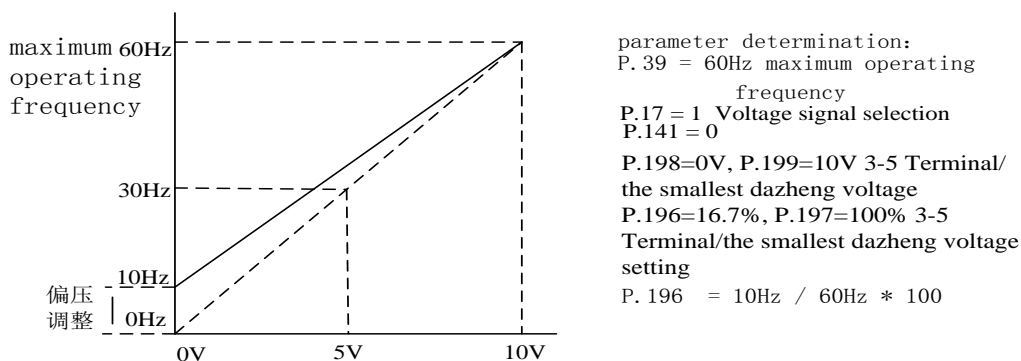
Example 1: This example is the most commonly used method of adjustment. It is used when the inverter is in the "external mode", "combined mode 2" or "combined mode 4", and the frequency are set by terminal 2-5.



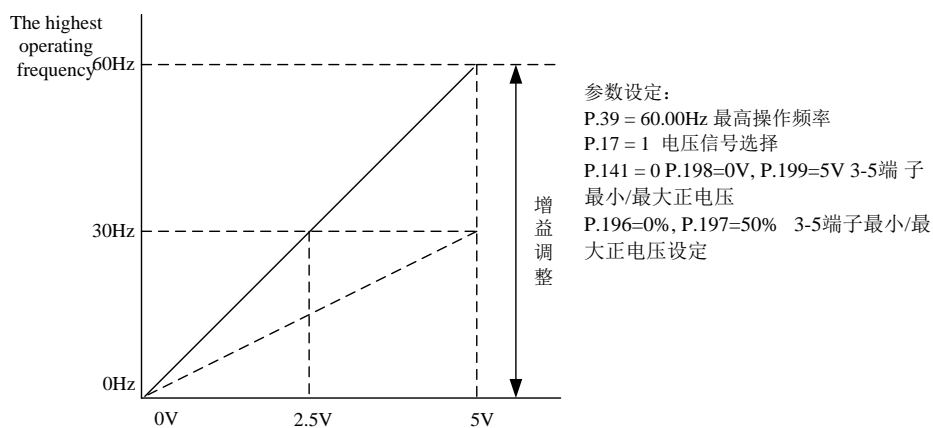
Example 2: This example is used by the industry for operating the ac motor drive. The goal is to have the set potentiometer equals to 10Hz when rotating to the far left. In other words, when activating, the lowest output of the ac motor drive has to be 10Hz. Other frequencies can be adjusted by the industry freely.



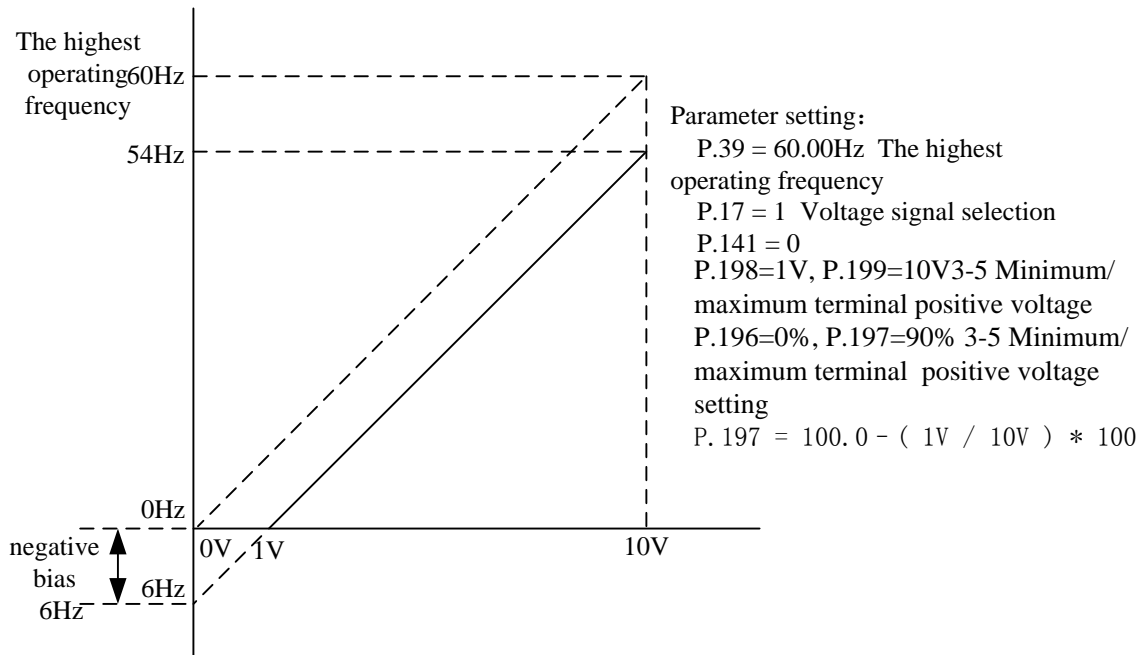
Example 3: This example is also frequently used by the industry. The comprehensive usage for all domain of the potentiometer setup elevates the flexibility.



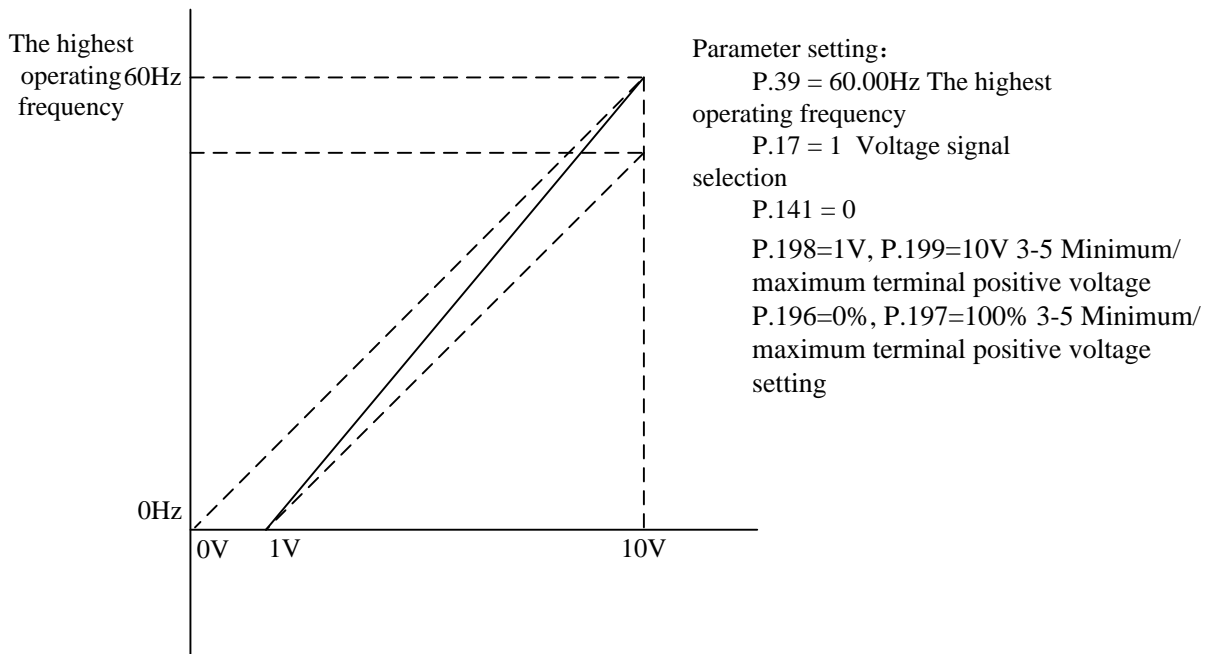
Example 4: This example uses 0~5V to set the frequency.



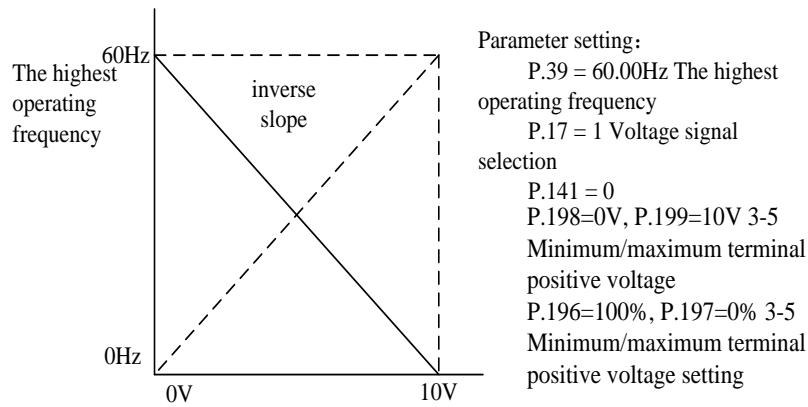
Example 5: This example is recommended to avoid using a signal that is less than 1V to set up the operation frequency of the AC motor drive under an unfavorable application environment, so that the anti-noise interference effect will be better.



Example 6: This example is an extension of Example 6. The wide application of this example offers the users good flexibility.



Example 7: This example is an application of negative slope setup. The industry often uses sensors for pressure, temperature or flow control. Some of the sensors output a 10V signal at high voltage or high flow. This signal acts as a reference for the AC motor drive to decelerate or to stop. The setup presented in Example 8 can satisfy this type of application.



Example 8: This example integrates all the application of potentiometer. Together with the application of forward and reverse rotation, it fits in the system easily for assorted complicated application.

Note: 1. In the mode of "external" or "mixed mode 2" or "mixed mode 4", if the AU "on" and 02-01 = 1, the target frequency of frequency converter, is decided by 3-5 terminal signal.  
 2. In the mode of "external" or "mixed mode 2" or "mixed mode 4", the AU and RH, RM, RL, or any one of REX to "on" at the same time, the goal of the inverter frequency with multistage speed is preferred.  
 3. This paragraph mentioned RH, RM, RL, REX, AU is the function of "multi-function digital input terminals" name. Selection and function, the function of the multi-function digital input terminals refer to 03-03, 03-04, 03-00, 03-01; Related wiring, please refer to section 3.5.  
 4. 3-5 analog terminals can be either a given voltage, can also be current is given, by p. 17 and AVI - ACI switch function.

◆ 3-5 disconnection selection

- 1) When 02-24 = 0, the inverter will decelerate to 0Hz when disconnected. After reconnecting the inverter, the inverter will accelerate to the corresponding frequency.
- 2) When 02-24 = 1, after the break, the panel displays "AErr" alert, frequency converter to slow down to 0 hz, multi-function digital output terminals have alarm output at the same time; Back in line after the all-clear, the corresponding frequency inverter speed to the current.
- 3) When 02-24=2, the panel will display the "AEr" alarm when disconnected. The inverter will stop immediately. Reset to clear the alarm.
- 4) When 02-24 = 2, the inverter will run continuously according to the frequency reference before the disconnection. The multi-function digital output terminal will set off the alarm. Reconnect to clear the alarm.

Note: Please refer to 03-10, 03-12 and 03-13 for the function selection of the multi-function digital output terminal. For wiring, please refer to Section 3.5.

◆ Input current/voltage of terminal 3-5

3-5 terminals can not give negative voltage and choosing current minimum input is 4mA.


Note: Operating the 3-5 terminal function mentioned above, you must flip the switch AVI-ACI to corresponding position at first and make sure it matches the setting value of parameter 02-20.



### 5.3.4 Output current according to the benchmark

- ◆ According to the benchmark for setting the output current.

Parameter	Name	Factory Value	Setting Range	Content
02-52 P.56	Current display the output of the simulation benchmark	Note	0 ~ 500.00A	---

 Setting According to the benchmark

- ◆ Used to display output current.

Note: parameters 02-52 factory value determined by the model.

## 5.4 Digital input/ output parameter group03

Group	Parameter Number	Name	Setting Range	Factory Value	Page
03-00	P.83	STF function selection	0: STF(the inverter runs forward)	0	92
			1: STR(the inverter runs reverse)		
			2: RL(Multi-speed low speed)		
			3: RM(Multi-speed medium speed)		
			4: RH(multi-speed high speed)		
			5: Analog terminal 4-5 priority		
			6: The external thermal relay operation		
			7: MRS(the instantaneous stopping of the inverter output)		
			8: RT(the inverter second function)		
			9: EXT(external JOG)		
			10: STF+EXJ		
			11: STR+EXJ		
			12: STF+RT		
			13: STR+RT		
			14: STF+RL		
			15: STR+RL		
			16: STF+RM		
			17: STR+RM		
			18: STF+RH		
			19: STR+RH		
			20: STF+RL+RM		
			21: STR+RL+RM		
			22: STF+RT+RL		
			23: STR+RT+RL		
			24: STF+RT+RM		
			25: STR+RT+RM		
			26: STF+RT+RL+RM		
			27: STR+RT+RL+RM		
			28: RUN(the inverter runs forward)		
			29: STF/STR(it is used with RUN, when STF/STR is "on", the inverter runs reverse ; when STF/STR is "off", the inverter runs forward)		
			30: RES(external reset function)		
			31: STOP(it can be used as a three-wire mode with the RUN signal or the STF-STR terminal)		
			32: REX(multi-speed set (16 levels))		
			33: PO(in "external mode", programmed operation mode is chosen)		
34: RES_E (external reset become valid only when the alarm goes off.)					

Group	Parameter Number	Name	Setting Range	Factory Value	Page
03-00	P.83	STF function selection	35: MPO (in "external mode" the manually operation cycle mode is chosen.)	0	92
			36: TRI(triangle wave function is chosen)		
			37: Keep		
			38: Keep		
			39: STF/STR +STOP (The motor has a reverse rotation when the RUN signal is on. When the RUN signal is off, stop the motor and then run the motor for forward rotation.		
			40: P_MRS (the inverter output instantaneously stops, The MRS is pulse signal input)		
			42: Reserve		
			43: RUN_EN (the digital input terminal running enable)		
			44: PID_OFF (the digital input terminal stopping PID enable)		
			45: The second mode		
03-01	P.84	STR function selection	Same as 03-00	1	93
03-03	P.80	M0 function selection	Same as 03-00	2	93
03-04	P.81	M1 function selection	Same as 03-00	3	93
03-11	P.85	A-C function selection	0: RUN(inverter running)	5	96
			1: SU(reaching the output frequency)		
			2: FU(output frequency detection)		
			3: OL(overload detection)		
			4: OMD(zero current detection)		
			5: ALARM(alarm detection)		
			6: PO1(programmed operation section detection)		
			7: PO2(programmed operation periodical detection)		
			8: PO3(programmed operation pause detection)		
			9: BP(Switch between the inverter operation and the commercial power-supply operation function, inverter output)		
			10: GP(Switch between the inverter operation and the commercial power-supply operation function,commercial power-supply output)		
			11 : OMD1(zero current detection)		
			12: OL2 (Over torque alarm output)		
			13 ~ 16: Reserve		
			17: RY(the accomplishment of inverter running preparation)		
18: Maintenance alarm detection					

Digital input/ output parameter group03

Group	Parameter Number	Name	Setting Range	Factory Value	Page
03-14	P.87	Multi-function terminal digital input negative/positive logic	0 ~ 15	0	97
03-15	P.88	Multi-function terminal digital output negative/positive logic (noumenon and slot3)	0 ~ 3	0	97
03-16	P.120	Output signal delay time	0 ~ 3600.0s	0.0s	98
03-17	P.157	Digital input terminal filter time	0 ~ 200	4	98
03-18	P.158	Digital input terminal power enable	0: Digital input terminal power unable	0	99
			1: Digital input terminal power enable		
03-20	P.41	Up-to-frequency sensitivity	0 ~ 100.0%	10.0%	99
03-21	P.42	Output frequency detection for forward rotation	0 ~ 650.00Hz	6.00Hz	99
03-22	P.43	Output frequency detection for reverse rotation	0 ~ 650.00Hz	99999	99
			99999: Same as the setting of 03-21(P.42)		
03-23	P.62	Zero current detection level	0 ~ 200.0%	5.0%	100
			99999: Function invalid		
03-24	P.63	Zero current detection time	0 ~ 1.00s	0.50s	100
			99999: Function invalid		

## 5.4.1 Function selection of digital input

- ◆ Use the following parameters to select or change the digital input terminal functions. Any function from 0 to 45 can be selected by each terminal (Note 1).

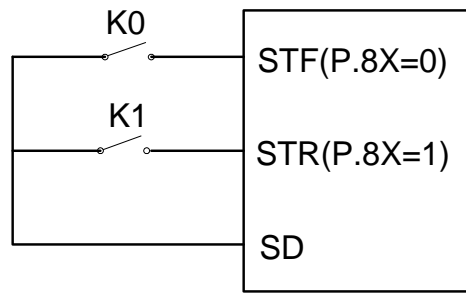
Parameter	Name	Factory Value	Setting Range	Content
03-00 P.83	STF function selection	0	0	STF(the inverter runs forward)
			1	STR(the inverter runs reverse)
			2	RL(Multi-speed low speed)
			3	RM(Multi-speed medium speed)
			4	RH(multi-speed high speed)
			5	keep
			6	The external thermal relay operation
			7	MRS(the instantaneous stopping of the inverter output)
			8	RT(the inverter second function)
			9	EXT(external JOG)
			10	STF+EXJ
			11	STR+EXJ
			12	STF+RT
			13	STR+RT
			14	STF+RL
			15	STR+RL
			16	STF+RM
			17	STR+RM
			18	STF+RH
			19	STR+RH
			20	STF+RL+RM
			21	STR+RL+RM
			22	STF+RT+RL
			23	STR+RT+RL
			24	STF+RT+RM
			25	STR+RT+RM
			26	STF+RT+RL+RM
			27	STR+RT+RL+RM
			28	RUN(the inverter runs forward)
			29	STF/STR(it is used with RUN, when STF/ STR is "on", the inverter runs reverse ; when STF/STR is "off", the inverter runs forward)
			30	RES(external reset function)
			31	STOP(it can be used as a three-wire mode with the RUN signal or the STF-STR terminal)
			32	REX(multi-speed set (16 levels))
33	PO(in "external mode", programmed operation mode is chosen)			

Parameter	Name	Factory Value	Setting Range	Content
03-00 P.83	STFfunction selection	0	34	RES_E (external reset become valid only when the alarm goes off.)
			35	MPO (in "external mode" the manually operation cycle mode is chosen.)
			36	TRI(triangle wave function is chosen)
			37	keep
			38	keep
			39	STF/STR +STOP (The motor has a reverse rotation when the RUN signal is on. When the RUN signal is off, stop the motor and then run the motor for forward rotation.
			40	P_MRS (the inverter output instantaneously stops, The MRS is pulse signal input)
			42	Reserve
			43	RUN_EN (the digital input terminal running enable)
			44	PID_OFF (the digital input terminal stopping PID enable)
45	The second mode			
03-01 P.84	STRfunction selection	1	Same as 03-00	Same as 03-00
03-03 P.80	M0 function selection	2	Same as 03-00	Same as 03-00
03-04 P.81	M1 function selection	3	Same as 03-00	Same as 03-00

**Setting** Function selection of digital input

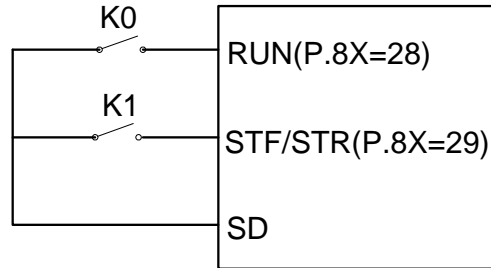
- ◆ The default value are 03-03=2(RL), 03-04=3(RM), 03-05=4(RH), 03-00=0(STF), 03-01=1(STR), 03-02=30(RES), 03-06=5(AU), 03-09=57(HDI\_FRQ).
- ◆ If the setting of 03-01~03-03, 03-06 and 03-09 are changed, the functions of the terminals are modified too. For example, when 03-03 is equal to 2, the M0 terminal is used for RL. When 03-03 is changed to 8, than the M0 terminal function will be changed to RT, i.e., the second function selection terminal. Take another example, if 03-00 is equal to 0, the STF terminal will be STF forward rotation function. When 03-00 is changed to 6, then STF terminal function will be changed OH, i.e., the external thermal relay terminal.
- ◆ Wiring for the external thermal relay (OH): for the conventional motor wiring, the external thermal relay is often placed at the front of the motor to prevent the motor from overheating. When the external thermal relay is separated, the alarm of the inverter will be tripped off and "OHT" will be displayed on the screen.
- ◆ The operation of the inverter can be controlled by four means ("1" for terminal close, "0" for terminal open, and X = 0, 1, 2, 3, 4, 6).
  - 1) Two-wire control mode 1:

K0	K1	Operating Instructions
0	0	Stop
1	0	Run Forward
0	1	Run Reverse
1	1	Stop

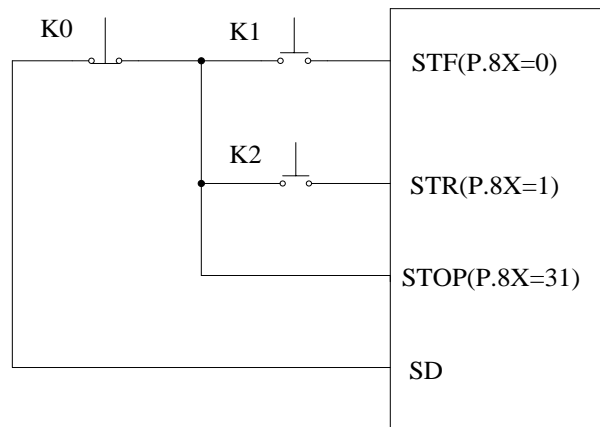


2) Two-wire control mode 2:

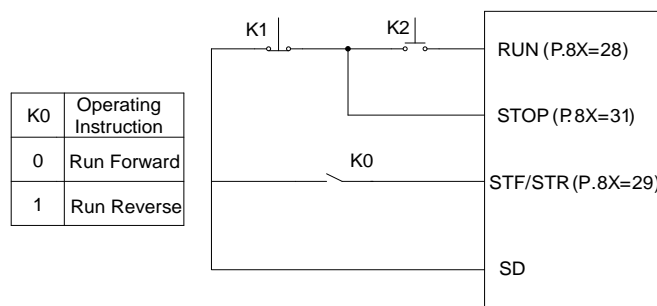
K0	K1	Operating Instructions
0	0	Stop
0	1	Stop
1	0	Run Forward
1	1	Run Reverse



3) Three-wire control mode 1 (with self-maintenance function): K0 is for the STOP function that is normally close. When it is open, the inverter will stop. K1 and K2 is the forward and reverse signals that are normally open. They indicate that pulse signal is active, i.e., jog is valid.



4) Three-wire control mode 2 (with self-maintenance function): K1 is for the STOP function that is normally close. When it is open, the inverter will stop. K2 is the RUN signal that is normally open. It indicates that pulse signal is active, i.e., jog is valid. For the direction changing signal (STF/STR), the parameter corresponds to the digital input terminals is 39. When changing the direction, stop the inverter first, RUN the inverter before activating it.



- ◆ In “external mode” and when PO is “on”, select the programmed operation mode. At this stage, the STF terminal is the source of the start signal. When STF is “on”, the inverter begins to run in the programmed operation mode at the first section. When STF is “off”, the inverter stops running, and STR becomes the pause signal source. When STR is “on”, the operation will be suspended. When STR is “off”, the operation will be continued (continues from the suspended section). For details, please refer to 04-15, 04-27~04-42, 04-16~04-18 and 04-19~04-26.
- ◆ In the external mode, the manual operation cycle mode is selected when MPO is “on”. For details on parameter, please refer to 04-19~04-26.
- ◆ The second set frequency source selection  
When the contact is ON, and function and parameter 00-16(P.79)=99999, the second mode is the same which is selected, the operation instruction is set by 00-18(P.109), the target frequency is set by 00-17(P.97).



## 5.4.2 Function selection of digital output

- ◆ Detect the message during the inverter operation.

Parameter	Name	Factory Value	Setting Range	Content
03-11 P.85	A-C function selection	5	0	RUN(inverter running) : Above the inverter start frequency output signal during operation
			1	SU(reaching the output frequency) : The output frequency to the frequency set checked out
			2	FU(output frequency detection) : Check out the above specified frequency output signal during operation
			3	OL(overload detection) : Current limiting function moves the output signal
			4	OMD(zero current detection): when the percentage of the output current is lower than the setting value of 03-23(P.62), and exceeds a period of time (03-24(P.63)), OMD will output signal.
			5	ALARM(alarm detection)
			6	PO1(programmed operation section detection)
			7	PO2(programmed operation periodical detection)
			8	PO3(programmed operation pause detection)
			9	BP(Switch between the inverter operation and the commercial power-supply operation function, inverter output)
			10	GP(Switch between the inverter operation and the commercial power-supply operation function,commercial power-supply output)
			11	OMD1(zero current detection): When the inverter output frequency reaches the target frequency, and the percentage of the output current is lower than the setting value of 03-23(P.62), and exceeds a period of time (03-24(P.63) setting), OMD1 will output signal.
			12	OL2 (Over torque alarm output)
			13 ~ 16	Reserve
17	RY(the accomplishment of inverter running preparation)			
18	Maintenance alarm detection			

Setting Function selection of digital output

- ◆ For multi-function relay A-C, the default setting value of 03-11 is 5 (i.e., the alarm function). When the value of 03-11 is revised, its function will change respectively according to the function listed in the table above.

### 5.4.3 Terminal logic selection

- ◆ The function is bits-setting, if the bit shows 1, it means that the action of multi-function digital input terminal is negative logic; otherwise, it means that the action is positive logic.

Parameter	Name	Factory Value	Setting Range	Content
03-14 P.87	Multi-function terminal digital input negative/positive logic	0	0 ~ 15	---
03-15 P.88	Multi-function terminal digital output negative/positive logic	0	0	0 : A-C Output terminal is logical
			2	2 : A-C Terminal output on logic

**Setting** Digital input/output logic

- ◆ The definition of each bit of 03-14(P.87) is as follows:

bit	$2^3$	$2^2$	$2^1$	$2^0$
	M1	M0	STR	STF

For example: A three-wire control type needs the function of STOP to be kept open (negative logic). So if set 03-03(P.80)=31, take M0 terminal as three-wire control STOP function, and 03-03(P.80)=0, 03-01(P.84)=1, and take STF and STR terminals as default positive/negative logic function, the parameter of 03-14(P.87) should be set as follows:

bit	$2^3$	$2^2$	$2^1$	$2^0$
	0	1	0	0

$$\text{So}(03-14)\text{P.87} = 0 \times 2^5 + 0 \times 2^4 + 0 \times 2^3 + 1 \times 2^2 + 0 \times 2^1 + 0 \times 2^0 = 4$$

- ◆ The definition of each 03-15(P.88) bit is as follows :

For example: 03-11(P.85)=0 (inverter is running and detecting), if positive logic output bit is set as 0, when inverter runs, multi-relay is on. When inverter stops, multi-relay is off; otherwise, if set negative logic bit as 1, when inverter runs, multi-relay is off, and when the inverter stops, multi-relay is on.

Note: When “STF” and “STR” terminals are set as negative logic, but signal is not connected with SD, with power on, inverter will input and drive motor operate. So it is dangerous, you must pay attention to it.

#### 5.4.4 Output signal delay

- ◆ It is used for digital output terminal signal delay and confirmation. The delay time is confirmation time to prevent some uncertain interference.

Parameter	Name	Factory Value	Setting Range	Content
03-16 P.120	Output signal delay time	0.0s	0 ~ 3600.0s	---

#### Setting Output signal delay

- ◆ When 03-16=0 and the setting requirements of 03-10(03-11, 03-12, 03-13) is met, the signal will output directly.
- ◆ When 03-16 = 0.1~3600 and the setting requirements of 03-10(03-11, 03-12, 03-13) is met, the signal will output after a setting delay time.

#### 5.4.5 Digital input terminal filter

- ◆ It is used to select response time to the signal of digital input terminals.

Parameter	Name	Factory Value	Setting Range	Content
03-17 P.157	Digital input terminal filter	4	0 ~ 2000	---

#### Setting Digital input terminal filter

- ◆ 03-17 is used to select response time to the signal of digital input terminals, and its action range including:STR, STF, M0, M1. And the actual delay time is 03-17\*2ms. For example, if 03-17=100, the actual delay time is 200ms.

### 5.4.6 Digital input terminal power enable

- ◆ Selectpower enables on the digital input terminal, whether the inverter operates immediately.

Parameter	Name	Factory Value	Setting Range	Content
03-18 P.158	Digital input terminal power enable	0	0	Digital input terminal power unable.
			1	Digital input terminal power enable.

**Setting** Digital input terminal power enable

- ◆ If 03-18=1, select power enables on the digital input terminals. In this situation, if the functions of the multi-function digital input terminals before turning on the power are STF, STR, RUN and MPO, and the corresponded digital input terminals are short circuit, and then the inverter will not run immediately after turning on the power. The inverter will run only after short circuit these terminals again. When 03-18=0, make these terminal short circuit before turning on the power, and the inverter will run immediately after the power is turned on.

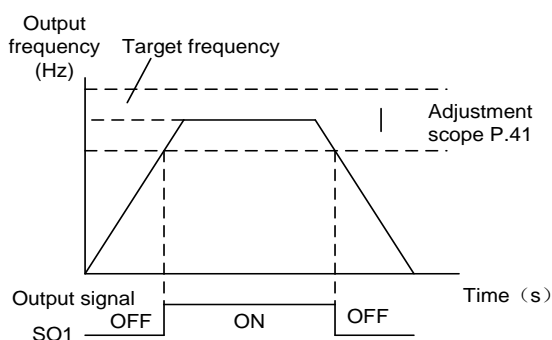
### 5.4.7 Output frequency detection

- ◆ Detects the inverter output frequency, and with the output signal.

Parameter	Name	Factory Value	Setting Range	Content
03-20 P.41	Up-to-frequency sensitivity	10.0%	0 ~ 100.0%	---
03-21 P.42	Output frequency detection for forward rotation	6.00Hz	0 ~ 650.00Hz	---
03-22 P.43	Output frequency detection for reverse rotation	99999	0 ~ 650.00Hz	---
			99999	Set the same as 03-21(P.42).

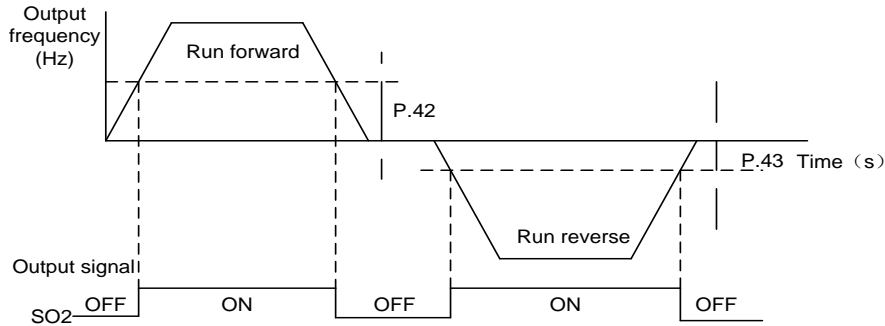
**Setting** Up-to-frequency sensitivity

- ◆ If 03-20=5%, when the output frequency enters the “5% region near the target frequency”, it will send out SU signals. For example, when the target frequency is set to 60Hz and 03-20=5%, then if the output frequency is between  $60 \pm 60 \times 5\% = 57\text{Hz}$  and 63Hz, a SU signal will be sent out.



**Setting** Output frequency detection for forward / reverse rotation

- ◆ If 03-21=30 and 03-22=20, then it will send out FUsignals when the forward rotation output frequency exceeds 30Hz or when the reverse rotation output frequency exceeds 20Hz.
- ◆ If 03-21=30 and 03-22=99999 (factory default), then it will send out FU signals when the forward or reverse rotation output frequency exceeds 30Hz.



Note: In this paragraph, SU, FU is the function name for “multi-function digital output terminal”SO1, SO2. Please refer to 03-10 ~ 03-13. For wiring, please refer to Section 3.5.

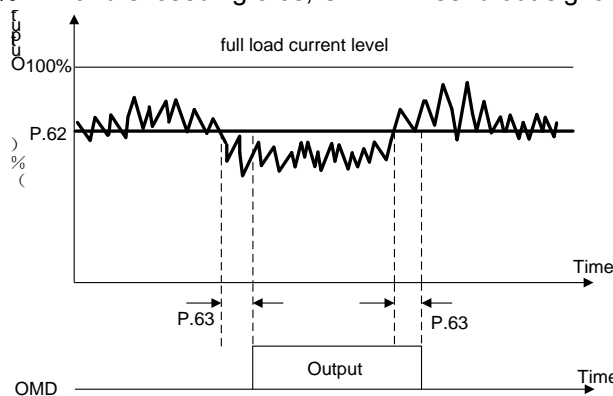
5.4.8 Zero current detection

- ◆ Detects the output frequency to the output terminal.

Parameter	Name	Factory Value	Setting Range	Content
03-23 P.62	Zero current detection level	5.0%	0 ~ 200.0%	---
			99999	Invalid.
03-24 P.63	Zero current detection time	0.50s	0 ~ 1.00s	---
			99999	Invalid.

**Setting** Zero current detection

- ◆ Assume the inverter's rated is full-loaded, the current is 20A, 03-23=5% and 03-24=0.5s, then when the output current is smaller than  $20 \times 5\% = 1A$  and exceeding 0.5s, OMD will send out signals. See the figure below:



- ◆ If the set value of 03-23 or 03-24 is 99999, the zero current detection function is disabled.

Note: In this paragraph, OMD is the function name for “multi-function digital output terminal”. Please refer to 03-10, 03-10~03-13. For wiring, please refer to Section 3.5.

## 5.5 Multi-speed parameter group04

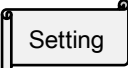
Group	Parameter Number	Name	Setting Range	Factory Value	Page
04-00	P.4	Speed 1(high speed)	0 ~ 650.00Hz	60.00Hz	103
04-01	P.5	Speed 2(medium speed)	0 ~ 650.00Hz	30.00Hz	103
04-02	P.6	Speed 3(low speed)	0 ~ 650.00Hz	10.00Hz	103
04-03	P.24	Speed 4	0 ~ 650.00Hz	99999	103
			99999: Function invalid		
04-04	P.25	Speed 5	Same as 04-03	99999	103
04-05	P.26	Speed 6	Same as 04-03	99999	103
04-06	P.27	Speed 7	Same as 04-03	99999	103
04-07	P.142	Speed 8	Same as 04-03	99999	103
04-08	P.143	Speed 9	Same as 04-03	99999	103
04-09	P.144	Speed 10	Same as 04-03	99999	103
04-10	P.145	Speed 11	Same as 04-03	99999	103
04-11	P.146	Speed 12	Same as 04-03	99999	103
04-12	P.147	Speed 13	Same as 04-03	99999	103
04-13	P.148	Speed 14	Same as 04-03	99999	103
04-14	P.149	Speed 15	Same as 04-03	99999	103
04-15	P.100	Minute/second selection	0: The minimum increment of run time is 1 minute.	1	105
			1: The minimum increment of run time is 1 second.		
04-16	P.121	Run direction in each section	0 ~ 255	0	105
04-17	P.122	Cycle selection	0: Cycle function invalid	0	105
			1 ~ 8: Run circularly from the settingsection.		
04-18	P.123	Acceleration/deceleration time setting selection	0: The acceleration time is set by 01-06(P.7), the deceleration time is set by 01-07(P.8).	0	105
			1: The acceleration and deceleration time is both determined by 04-35(P.111) ~ 04-42(P.118).		
04-19	P.131	Programmed operation mode speed 1	0 ~ 650.00Hz	0.00 Hz	105
04-20	P.132	Programmed operation mode speed 2	0 ~ 650.00Hz	0.00 Hz	105
04-21	P.133	Programmed operation mode speed3	0 ~ 650.00Hz	0.00 Hz	105
04-22	P.134	Programmed operation mode speed 4	0 ~ 650.00Hz	0.00 Hz	105
04-23	P.135	Programmed operation mode speed 5	0 ~ 650.00Hz	0.00 Hz	105
04-24	P.136	Programmed operation mode speed 6	0 ~ 650.00Hz	0.00 Hz	105
04-25	P.137	Programmed operation mode speed 7	0 ~ 650.00Hz	0.00 Hz	105
04-26	P.138	Programmed operation mode speed 8	0 ~ 650.00Hz	0.00 Hz	105

Group	Parameter Number	Name	Setting Range	Factory Value	Page
04-27	P.101	Programmed operation mode speed 1 operating time	0 ~ 6000.0s	0.0s	105
04-28	P.102	Programmed operation mode speed 2 operating time	0 ~ 6000.0s	0.0s	105
04-29	P.103	Programmed operation mode speed3 operating time	0 ~ 6000.0s	0.0s	105
04-30	P.104	Programmed operation mode speed 4 operating time	0 ~ 6000.0s	0.0s	105
04-31	P.105	Programmed operation mode speed 5 operating time	0 ~ 6000.0s	0.0s	105
04-32	P.106	Programmed operation mode speed 6 operating time	0 ~ 6000.0s	0.0s	106
04-33	P.107	Programmed operation mode speed 7 operating time	0 ~ 6000.0s	0.0s	106
04-34	P.108	Programmed operation mode speed 8 operating time	0 ~ 6000.0s	0.0s	106
04-35	P.111	Programmed operation mode speed 1 Acc/Dec time	0 ~ 600.00s/0 ~ 6000.0s	0.00s	106
04-36	P.112	Programmed operation mode speed 2 Acc/Dec time	0 ~ 600.00s/0 ~ 6000.0s	0.00s	106
04-37	P.113	Programmed operation mode speed 3 Acc/Dec time	0 ~ 600.00s/0 ~ 6000.0s	0.00s	106
04-38	P.114	Programmed operation mode speed 4 Acc/Dec time	0 ~ 600.00s/0 ~ 6000.0s	0.00s	106
04-39	P.115	Programmed operation mode speed 5 Acc/Dec time	0 ~ 600.00s/0 ~ 6000.0s	0.00s	106
04-40	P.116	Programmed operation mode speed 6 Acc/Dec time	0 ~ 600.00s/0 ~ 6000.0s	0.00s	106
04-41	P.117	Programmed operation mode speed 7Acc/Dec time	0 ~ 600.00s/0 ~ 6000.0s	0.00s	106
04-42	P.118	Programmed operation mode speed 8 Acc/Dec time	0 ~ 600.00s/0 ~ 6000.0s	0.00s	106

## 5.5.1 16 speeds

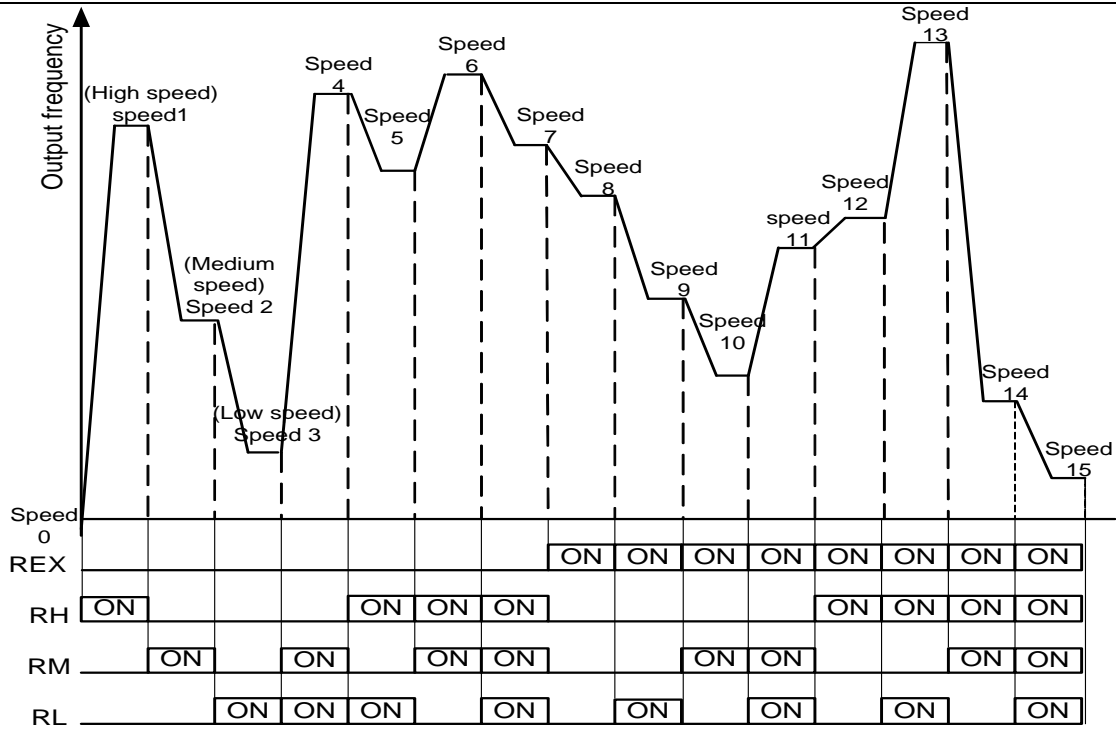
- ◆ With the combination of digital input terminal RL, RM, RH and REX, selects speed operation(the most are 16 speeds in total)

Parameter	Name	Factory Value	Setting Range	Content
04-00 P.4	Speed 1(high speed)	60.00Hz	0 ~ 650.00Hz	---
04-01 P.5	Speed 2 (medium speed)	30.00Hz	0 ~ 650.00Hz	---
04-02 P.6	Speed 3(low speed)	10.00Hz	0 ~ 650.00Hz	---
04-03 P.24	Speed4	99999	0 ~ 650.00Hz	---
			99999	99999: Function invalid
04-04 P.25	Speed5	99999	Same as 04-03	Same as 04-03
04-05 P.26	Speed6	99999	Same as 04-03	Same as 04-03
04-06 P.27	Speed7	99999	Same as 04-03	Same as 04-03
04-07 P.142	Speed8	99999	0 ~ 650.00Hz	Same as 04-03
04-08 P.143	Speed9	99999	Same as 04-03	Same as 04-03
04-09 P.144	Speed10	99999	Same as 04-03	Same as 04-03
04-10 P.145	Speed11	99999	Same as 04-03	Same as 04-03
04-11 P.146	Speed12	99999	Same as 04-03	Same as 04-03
04-12 P.147	Speed13	99999	Same as 04-03	Same as 04-03
04-13 P.148	Speed14	99999	Same as 04-03	Same as 04-03
04-14 P.149	Speed15	99999	Same as 04-03	Same as 04-03

 16 speeds

- ◆ If all the set values of 04-03~04-06 and 04-07~04-14 are not 99999, “16-speed operation” is active. It means that with the combination of RL, RM, RH and REX, there are 16 speeds in total. For setting up the target frequency of the inverter, please refer to the figure below:





- ◆ Provided that the parameter set values of 04-03~04-06 and 04-07~04-14 are all 99999, the target frequency will be determined by RL, RM and RH these three speeds. See the table below (the priority of the terminals is RL>RM>RH):

Parameter Target frequency	04-03= 99999	04-04= 99999	04-05= 99999	04-06= 99999	04-07= 99999	04-08= 99999	04-09= 99999	04-10= 99999	04-11= 99999	04-12= 99999	04-13= 99999	04-14= 99999
RL(04-02)	○	○		○	○	○		○		○		○
RM(04-01)			○				○				○	
RH(04-00)									○			

For example, when 04-05 = 99999, the target frequency is determined by RM (the setting value of 04-01).

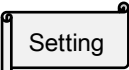
Note: 1. The multi-speed is only valid in the “external mode”, “combination mode 2” or “combined mode 4”.  
 2. RL, RM, RH and REX mentioned in this section are the function names of the “multi-function digital input terminal”. (For example, when 03-03=2, select the M0 terminal to perform the RL (function). Please refer to 03-00~03-06 and 03-09 for function selection and purposes of the multi-function digital input terminal. For related wiring, please refer to Section 3.5.

## 5.5.2 Programmed operation mode

- ◆ The application of this parameter can be used as the operation process control for general small machinery, food processing machinery and washing equipment, which can replace some traditional relays, switches, timer and other control circuit, etc.

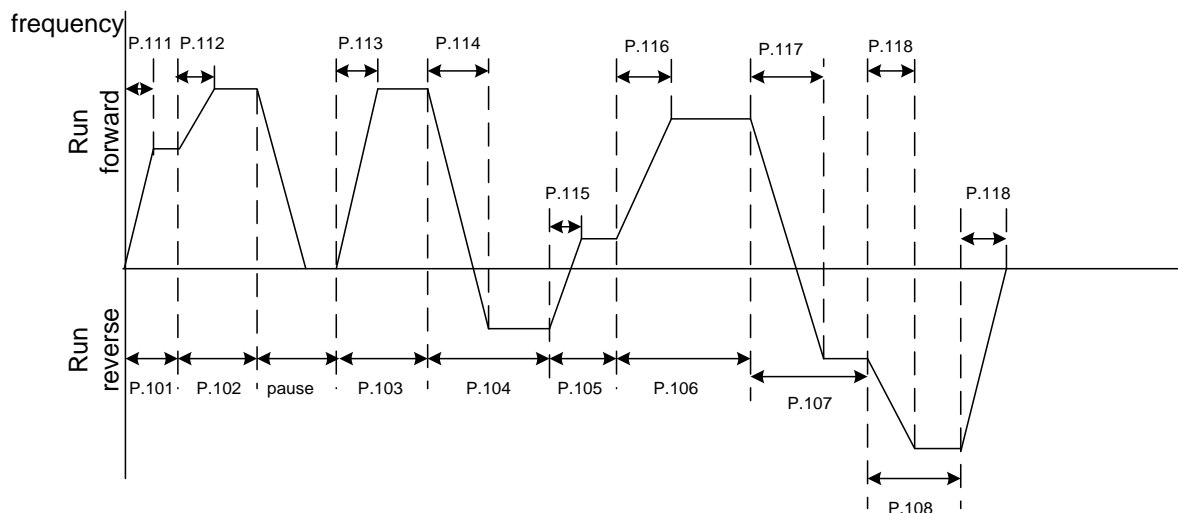
Parameter	Name	Factory Value	Setting Range	Content
04-15 P.100	Minute/second selection	1	0	The minimum increment of run time is 1 minute.
			1	The minimum increment of run time is 1 second.
04-16 P.121	Run direction in each section	0	0 ~ 255	0 ~ 255
04-17 P.122	Cycle selection	0	0	0: Cycle function invalid
			1 ~ 8	Run circularly from the setting section.
04-18 P.123	Acceleration/deceleration time setting selection	0	0	The acceleration time is set by 01-06(P.7), the deceleration time is set by 01-07(P.8).
			1	The acceleration and deceleration time is both determined by 04-35(P.111) ~ 04-42(P.118).
04-19 P.131	Programmed operation mode speed 1	0.00Hz	0 ~ 650.00Hz	---
04-20 P.132	Programmed operation mode speed 2	0.00Hz	0 ~ 650.00Hz	---
04-21 P.133	Programmed operation mode speed3	0.00Hz	0 ~ 650.00Hz	---
04-22 P.134	Programmed operation mode speed 4	0.00Hz	0 ~ 650.00Hz	---
04-23 P.135	Programmed operation mode speed 5	0.00Hz	0 ~ 650.00Hz	---
04-24 P.136	Programmed operation mode speed 6	0.00Hz	0 ~ 650.00Hz	---
04-25 P.137	Programmed operation mode speed 7	0.00Hz	0 ~ 650.00Hz	---
04-26 P.138	Programmed operation mode speed 8	0.00Hz	0 ~ 650.00Hz	---
04-27 P.101	Programmed operation mode speed 1 operating time	0.0s	0 ~ 6000.0s	---
04-28 P.102	Programmed operation mode speed 2 operating time	0.0s	0 ~ 6000.0s	---
04-29 P.103	Programmed operation mode speed3 operating time	0.0s	0 ~ 6000.0s	---
04-30 P.104	Programmed operation mode speed 4 operating time	0.0s	0 ~ 6000.0s	---

Parameter	Name	Factory Value	Setting Range	Content
04-31 P.105	Programmed operation mode speed 5 operating time	0.0s	0 ~ 6000.0s	---
04-32 P.106	Programmed operation mode speed 6 operating time	0.0s	0 ~ 6000.0s	---
04-33 P.107	Programmed operation mode speed 7 operating time	0.0s	0 ~ 6000.0s	---
04-34 P.108	Programmed operation mode speed 8 operating time	0.0s	0 ~ 6000.0s	---
04-35 P.111	Programmed operation mode speed 1 Acc/Dec time	0.00s	0 ~ 600.00s/ 0 ~ 6000.0s	---
04-36 P.112	Programmed operation mode speed 2 Acc/Dec time	0.00s	0 ~ 600.00s/ 0 ~ 6000.0s	---
04-37 P.113	Programmed operation mode speed 3 Acc/Dec time	0.00s	0 ~ 600.00s/ 0 ~ 6000.0s	---
04-38 P.114	Programmed operation mode speed 4 Acc/Dec time	0.00s	0 ~ 600.00s/ 0 ~ 6000.0s	---
04-39 P.115	Programmed operation mode speed 5 Acc/Dec time	0.00s	0 ~ 600.00s/ 0 ~ 6000.0s	---
04-40 P.116	Programmed operation mode speed 6 Acc/Dec time	0.00s	0 ~ 600.00s/ 0 ~ 6000.0s	---
04-41 P.117	Programmed operation mode speed 7 Acc/Dec time	0.00s	0 ~ 600.00s/ 0 ~ 6000.0s	---
04-42 P.118	Programmed operation mode speed 8 Acc/Dec time	0.00s	0 ~ 600.00s/ 0 ~ 6000.0s	---

 Programmed operation mode

◆ Programmed operation mode

1. The calculation of runtime and acceleration/deceleration time in each section is presented in the figure below:



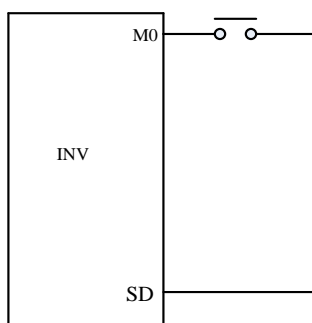
- The run direction is set in binary form (8-bit), and then translated to decimal form and stored in 04-16. "1" means run forward, and "0" means run reverse. The highest bit is the run direction of section 8, while the lowest bit is the direction of the section 1.

For example: Suppose that section 1 is run forward, section 2 is run reverse, section 3 is run reverse, section 4 is run forward, section 5 is run reverse, section 6 is run forward, section 7 is run forward, section 8 is run reverse, then the value in binary form is 01101001.

$$04-16 = 0 \times 2^7 + 1 \times 2^6 + 1 \times 2^5 + 0 \times 2^4 + 1 \times 2^3 + 0 \times 2^2 + 0 \times 2^1 + 1 \times 2^0 = 105$$

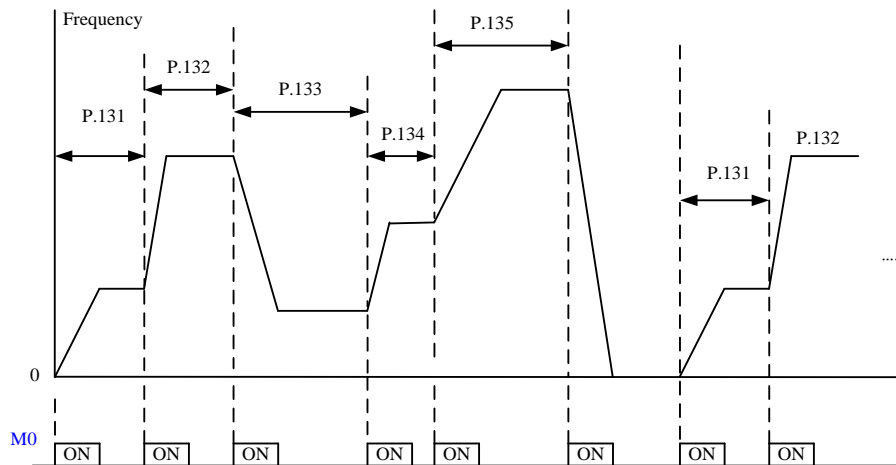
- When 04-16=0, it will not run in circular motion.
- When 04-17 is 1~8, it is the initial sectional speed at the beginning of the cycle.  
For example: When 04-17=3, the inverter will run circularly from the third section to the eighth section after it finishes its running from the first section to the eighth section.
- When 04-18 = 0, the acceleration time is determined by 01-06, and the deceleration time is determined by 01-07.
- When 04-18 = 1, the acceleration time and deceleration time are both determined by 04-35~04-42.

◆ Manual operation cycle mode



□ Wiring diagram for manual operation cycle mode

- Insert an impulse type switch between M0 and SD.
- After turning on the power, according to terminals wiring, set corresponding parameter 03-03 to 35. The inverter is on standby at this point.
- The mode of operation is shown in the figure below:



- Note: 1. The inverter can run eight levels of speed in the procedure, and the frequency is determined by 04-19~04-26.
2. For the setting of 04-15~04-18 and 04-27~04-42, it is valid for programmed operation mode only, not for manual operation cycle mode; For the acceleration/deceleration time of manual operation cycle mode, please refer to the usage of 01-06, 01-07, 01-22 and 01-23.
3. If there is any section set to zero, the inverter will be on standby in this section. In other word, 04-19 has to be nonzero when this mode is selected. Like the figure above, when 04-24 is 0, regardless of the value of 04-25 and 04-26, the inverter stops when the switch is pressed for the sixth time.
4. The rotation of the manual operation cycle mode is unilateralism. It has nothing to do with 04-16 or the signals of STF and STR.
5. For the setting of 04-35~04-42, please refer to 01-08 for the usage of the acceleration/deceleration time unit.

## 5.6 Motor parameter group05

Group	Parameter Number	Name	Setting Range	Factory Value	Page
05-00	P.301	Motor parameter auto-tuning function selection	0: Parameter auto-tuning function with no motor	0	110
			1: Induction motor parameter auto-tuning measuring the running motor		
			2: Induction motor parameter auto-tuning measuring the stopped motor		
			3: Induction motor online auto-tuning function		
05-01	P.302	Motor rated power	0 ~ 160.00kW	0.00kW	112
05-02	P.303	Motor poles	0 ~ 8	4	112
05-03	P.304	Motor rated voltage	0 ~ 440V	440	112
			0~220V	220	
05-04	P.305	Motor rated frequency	50Hz system: 0 ~ 650.00Hz	50.00Hz	112
			60Hz system: 0 ~ 650.00Hz	60.00Hz	
05-05	P.306	Motor rated current	0~500.00A	According to type	112
05-06	P.307	Motor rated rotation speed	50Hz system: 0 ~ 9998r/min	1410r/min	112
			60Hz system: 0 ~ 9998r/min	1710r/min	
05-07	P.308	Motor excitation current	0~500.00A	According to type	112
05-08	P.309	IM motor stator resistance	0~99.98Ω	According to type	112

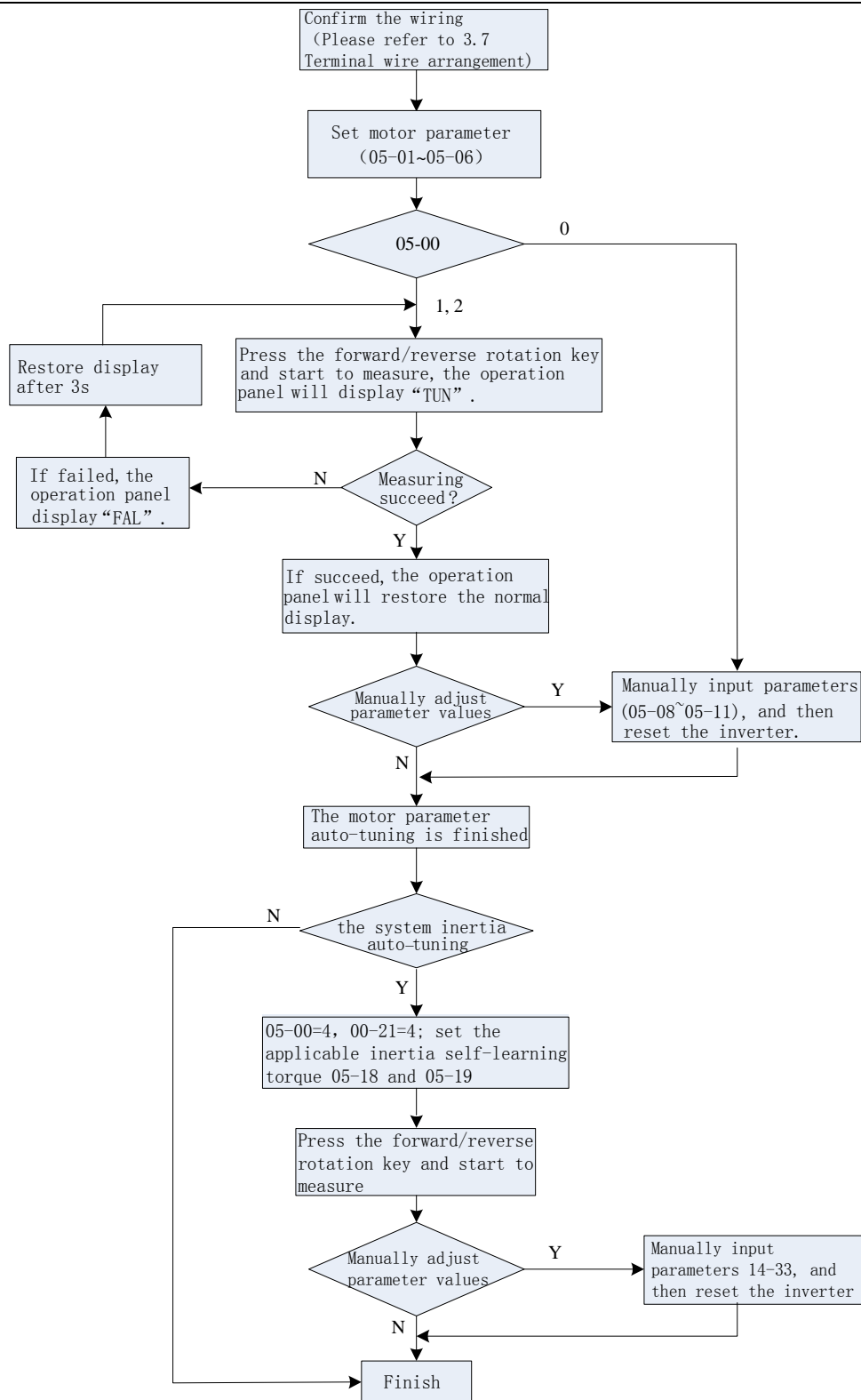
### 5.6.1 Motor parameter auto-tuning function selection

- ◆ Via accurate motor parameter auto-tuning function, realizes motor high-performance vector control.

Parameter	Name	Factory Value	Setting Range	Content
05-00 P.301	Motor parameter auto-tuning function selection	0	0	Parameter auto-tuning function with no motor
			1	Induction motor parameter auto-tuning measuring the running motor
			2	Induction motor parameter auto-tuning measuring the stopped motor
			3	Induction motor online auto-tuning function

#### Setting Motor parameter auto-tuning function

- ◆ When 00-21=0, no motor parameter auto-tuning function is required for normal V/F curve operation.
- ◆ For IM general magnetic vector control, please set 00-21 to 2. The frequency will be altered due to elevated voltage and increased compensatory motor load.
- ◆ For executing the IM motor parameter auto-tuning function, set 05-00 to 1 or 2 and press the forward rotation or the reverse rotation key. During the measuring process, the parameter unit will flicker and display "TUN". If the measurement fails, the parameter unit will flicker "FAL" for three seconds and then return to normal display.
- ◆ Procedures for IM motor parameter auto-tuning are presented below:



Note: 1. The motor capacity has to be at the same level or one level below of the level of the capacity of the inverter.

2. For the IM motor auto-tuning function, if motor operation is permitted, set 05-00 to 1 (dynamic measurement). At this point, the load has to be separated from the motor. If the load environment does not permit auto-tuning, set 05-00 to 2 (static measurement) if motoring is running.

3. IM motor sensorless vector control: auto-tuning function can be used to enhance the control function. Before setting 05-00 to 3 or 4, first set the motor parameters or the auto-tuning function to improve the control accuracy.



## 5.6.2 Motor parameter

- ◆ The standard parameters of the adaptable motor have been configured inside the inverter. It is still necessary to perform motor auto-tuning or modify the default values based on actual conditions.

Parameter	Name	Factory Value	Setting Range	Content
05-01 P.302	Motor rated power	0.00kW	0 ~ 160.00kW	---
05-02 P.303	Motor poles	4	0 ~ 8	---
05-03 P.304	Motor rated voltage	440V	0 ~ 440V	440V voltage
		220V	0 ~ 220V	220Vvoltage
05-04 P.305	Motor rated frequency	50.00Hz	0 ~ 650.00Hz	50Hz system (when 00-24=1)
		60.00Hz		60Hz system (when 00-24=0)
05-05 P.306	Motor rated current	According to type	0 ~ 500.00A	Types below Frame G
05-06 P.307	Motor rated rotation speed	1410r/min	0 ~ 9998r/min	50Hz system (when 00-24=1)
		1710r/min		60Hz system (when 00-24=0)
05-07 P.308	Motor excitation current	According to type	0 ~ 500.00A	Types below Frame G
05-08 P.309	IM motor stator resistance	According to type	0 ~ 99.98Ω	

### Setting Motor parameter

- ◆ When the IM motor can be fully separated from the load, select 05-00=1. When the motor is running, the motor parameter will carry out auto-tuning. Then press  or  on the keyboard panel for the inverter to automatically calculate the following parameter: 05-07~05-09.
- ◆ When the motor cannot be fully separated from the load, select 05-07=2. When the motor is stopped, the motor parameter will carry out auto-tuning. Then press  or  on the keyboard panel for the inverter to automatically calculate the following parameter: 05-07~05-09.
- ◆ The users can use the motor's nameplate to calculate the two parameters. The motor nameplate parameters used in the calculation are: rated voltage  $U$ , rated current  $I$ , rated frequency  $f$  and power factor  $\eta$ .
- ◆ The calculation of motor idling excitation current and of motor mutual induction is presented below:  $L_\delta$  is motor leakage induction.
- ◆ Idling current:  $I_0 = I \times \sqrt{1 - \eta^2}$ , Mutual inductance calculation:  $L_m = \frac{U}{2\sqrt{3} \cdot \pi \cdot f \cdot I_0} - L_\delta$

$I_0$  is the idling current,  $L_m$  is mutual inductance,  $L_\delta$  is leakage inductance.

Note: 1. When the inverter is used with a motor of a different level, verify the input motor's nameplate parameter 05-01~05-06. The vector control method is heavily dependent upon motor parameters. To achieve a good control performance, the controlled motor's correct parameters have to be acquired.

2. When any or many values of 05-01~05-09 are manually revised, reset the inverter to reload the new values of the parameters.

## 5.7 Protection parameter group06


Group	Parameter Number	Name	Setting Range	Factory Value	Page
06-00	P.9	Electronic thermal relay capacity	0~500.00A	According to type	116
06-01	P.22	Stall prevention operation level	0 ~ 250.0%	150.0%	116
06-02	P.23	Compensation factor at level reduction	0 ~ 200.0%	99999	116
			99999: Stall prevention operation level is the setting value of 06-01(P.22).		
06-03	P.66	Stall prevention operation reduction starting frequency	50Hz system: 0 ~ 650.00Hz	50.00Hz	116
			60Hz system: 0 ~ 650.00Hz	60.00Hz	
06-04	P.220	Current stall selection of time of acceleration and deceleration	0: According to the current time of Acc/Dec	3	117
			1: According to the first time of Acc/Dec		
			2: According to the second time of Acc/Dec		
			3:Automatically calculate the best time of accerelation/deceleration		
06-05	P.30	Regenerative brake function selection	0: If regenerative brake duty is fixed at 3%, parameter 06-06(P.70) will be invalid.	0	118
			1: The regenerative brake duty is the value of 06-06(P.70).		
06-06	P.70	Special regenerative brake duty	0 ~ 30.0%	0.0%	118
06-08	P.155	Over torque detection level	0 ~ 200.0%	0.0%	121
06-09	P.156	Over torque detection time	0 ~ 60.0s	1.0s	121
06-10	P.260	Over torque detection selection	0: The OL2 alarm is not reported after the over torque detection, and the inverter keeps running.	1	121
			1: The OL2 alarm is reported after the over torque detection, and the inverter stops.		
06-12	P.245	Cooling fan operation	0:The fan will be turned on when running. The fan will be turned off 30 seconds after inverter stops.	1	122
			1: Turning on the power will turn on the fan. When the power is turned off, the fan will be off, too.		

Group	Parameter Number	Name	Setting Range	Factory Value	Page
06-12	P.245	Cooling fan operation	2: The fan will be turned on when the temperature of the heat sink is higher than 60°C. When it is lower than 40°C, the fan will be turned off.	1	122
			3: The fan will be turned on when the temperature of the heat sink is higher than 60°C and it will be turned off when it is lower than 40°C.		
06-17	P.261	Maintenance alarm function	0: No maintenance alarm	0	123
			1 ~ 9998 day: Used to set time when maintenance alarm sends out signal		
06-27	P.292	Accumulative motor operation time (minutes)	0 ~ 1439min	0min	124
06-28	P.293	Accumulative motor operation time (days)	0 ~ 9999day	0day	124
06-29	P.296	Inverter electric time (minutes)	0 ~ 1439min	0min	
06-30	P.297	Inverter electric time (day)	0 ~ 9999day	0day	
06-40	P.288	Alarm code query	0 ~ 12	0	125
06-41	P.289	Alarm code display	Read	Read	125
06-42	P.290	Alarm message query	0 ~ 12	0	125
06-43	P.291	Alarm message display	Read	Read	125

## 5.7.1 Electronic thermal relay capacity

- ◆ The “electronic thermal relay” uses the program of the inverter to simulate a thermal relay for preventing the motor from overheating.

Parameter	Name	Factory Value	Setting Range	Content
06-00 P.9	Electronic thermal relay capacity	According to type	0~500.00A	

 Electronic thermal relay capacity

- ◆ Please set 06-00 as the rated current of the motor at its rated frequency. The rated frequency of a squirrel-cage inductive motor made in different countries and areas is different. Please refer to the nameplate instruction on the motor.
- ◆ If 06-00=0, the electronic thermal relay is invalid.
- ◆ In case the calculated heat by the electronic thermal relay exceeds the upper limit, an alarm will go off and the parameter unit screen will display  $f H \Omega$ , and the output will be stopped.

Note: 1. After the inverter is reset; the thermal accumulating record of the electronic thermal relay will be reset to zero. Please pay attention in this area.

2. When two or more motors are connected to the inverter, they cannot be protected by the electronic thermal relay. Install an external thermal relay for each motor.

3. When a special motor is employed, the electronic thermal relay is no longer valid. Install an external thermal relay for each motor.

4. About wiring for an external thermal relay, please refer to 03-00~03-06 and 03-09.

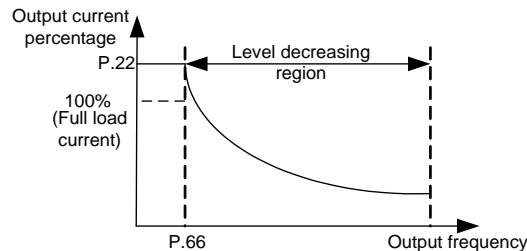
## 5.7.2 Current stalling protection

- ◆ This function monitors the output current and automatically changes the output frequency to prevent the inverter from tripping due to overcurrent, overvoltage, etc. It can also limit the stall prevention and fast-response current limit operation during acceleration/deceleration and power/regenerative driving.

Parameter	Name	Factory Value	Setting Range	Content
06-01 P.22	Stall prevention operation level	150.0%	0 ~ 250.0%	---
06-02 P.23	Compensation factor at level reduction	99999	0 ~ 200.0%	Stall prevention operation level is the setting value of 06-01(P.22).
			99999	
06-03 P.66	Stall prevention operation reduction starting frequency	50.00Hz	0 ~ 650.00Hz	50Hz system (when 00-24=1)
		60.00Hz		60Hz system (when 00-24=0)

### Setting Current stalling protection

- ◆ When the motor starts or target frequency is adjusted (increasing) under a heavy load, the motor speed is often unable to follow the output frequency closely. If the motor speed is lower than the output frequency, the output current will increase to improve the output torque. However, if the difference between the output frequency and the motor speed is too great, the motor torque will decrease, a phenomenon known as “stall”.



Calculation formula for stall prevention operation level:

$$\text{Level percentage} = A + B \times \frac{P.22 - A}{P.22 - B} \times \frac{P.23 - 100}{100}$$

$$A = \frac{P.66 \times P.22}{\text{Output frequency}} \quad B = \frac{P.66 \times P.22}{400}$$

## 5.7.3 Regenerative brake

- ◆ When performing frequent start and stop operation, usage rate of the regenerative brake can be increased by using the brake resistor or the brake unit.

Parameter	Name	Factory Value	Setting Range	Content
06-05 P.30	Regenerative brake function selection	0	0	If regenerative brake duty is fixed at 3%, parameter 06-06(P.70) will be invalid.
			1	The regenerative brake duty is the value of 06-06(P.70).
06-06 P.70	Special regenerative brake duty	0.0%	0 ~ 30.0%	---

Setting

 Regenerative brake

- ◆ At the moment of the inverter output frequency switching from high to low, the rotation speed of the motor will be higher than the output frequency of the inverter due to load inertia, resulting in generator effect. This effect will cause a high voltage between the main-circuit terminals (+/P) and (-/N), which will damage the inverter. Therefore, a proper brake resistor shall be mounted between terminals +/P and PR to dissipate the feedback energy.
- ◆ There is a built-in transistor inside the inverter. The conducting time ratio of the transistor is called “regenerative brake duty”. The higher the regenerative brake duty is, the more energy the brake resistor consumes, and the stronger the brake capability is.

Note: 1. In occasions where frequency starts or stops, a high capacity brake resistor is required.  
2. Please refer to Section 3.6.3 for brake resistor selection.

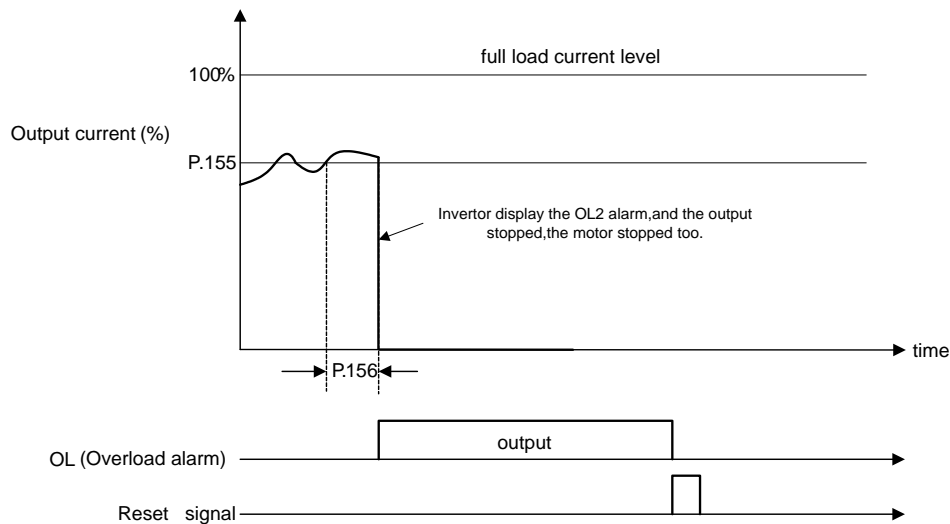
### 5.7.4 Over torque detection

- ◆ The output current detection function can be used for purposes such as overtorque detection.

Parameter	Name	Factory Value	Setting Range	Content
06-08 P.155	Over torque detection level	0.0%	0	No over torque detection.
			0.1~200%	Over torque detection.
06-09 P.156	Over torque detection time	1.0s	0 ~ 60.0s	---
06-10 P.260	Over torque detection selection	1	0	The OL2 alarm is not reported after the over torque detection, and the inverter keeps running.
			1	The OL2 alarm is reported after the over torque detection, and the inverter stops.

#### Setting Over torque detection

- ◆ When the value of 06-08 is nonzero, the function of over torque detection is selected.
- ◆ When the output current exceeds the detection level of over torque (06-08) and the detection time of over torque (06-09), then inverter alarm OL2 will go off and the inverter will stop the operation. If multi-function digital outputs terminal SO1-SE(03-10), SO2-SE(03-12), multi-function relay A-C(03-11), are set as over-load alarm (set the value to 3), and 06-10(P.260)=1, then the inverter will send out signals. For details, please refer to 03-10 ~03-13 in Chapter 5.



## 5.7.5 Cooling fan operation

- ◆ Control the run/stop condition of the fan and the alarm output mode.

Parameter	Name	Factory Value	Setting Range	Content
06-12 P.245	Cooling fan operation	1	0	The fan will be turned on when running. The fan will be turned off 30 seconds after inverter stops.
			1	Turning on the power will turn on the fan. When the power is turned off, the fan will be off, too.
			2	The fan will be turned on when the temperature of the heat sink is higher than 60°C. When it is lower than 40°C, the fan will be turned off.
			3	The fan will be turned on when the temperature of the heat sink is higher than 60°C and it will be turned off when it is lower than 40°C.

Note: Proper setting for decreasing the fan operating time according to the inverter installing condition can extend the fan lifetime.



### 5.7.6 Maintenance alarm function

- ◆ The inverter cumulative operating time outputs the maintenance alarm output signal after setting the time.

Parameter	Name	Factory Value	Setting Range	Content
06-17 P.261	Maintenance alarm function	0	0	No maintenance alarm
			1 ~ 9998day	Used to set time when maintenance alarm sends out signal

#### Setting Maintenance alarm function

- ◆ When multi-function digital output terminal (03-11) equals to 18, maintenance alarm is detecting. It means that when the inverter runs for the days that reach the parameter 06-17 setting value of maintenance alarm time, the multi-function digital output terminal SO-SE or multi-function relay will send out signal.

## 5.7.7 Time record function

- ◆ It is used to record the inverter accumulative operation time.

Parameter	Name	Factory Value	Setting Range	Content
06-27 P.292	Accumulative motor operation time (minutes)	0 min	0 ~ 1439min	---
06-28 P.293	Accumulative motor operation time (days)	0 day	0 ~ 9999day	---
06-29 P.296	Accumulative motor power time (minutes)	0 min	0 ~ 1439min	---
06-30 P.297	Accumulative motor power time (days)	0day	0 ~ 9999day	---

Setting

 Time record function

- ◆ 06-27/06-29 is about the accumulative motor operation time in minutes. The updated value cannot be modified by executing 00-02 or power shutdown. To clear the accumulated time, make 06-27=0.
- ◆ 06-28/06-30 is about the accumulative motor operation time in days. The updated value cannot be modified by executing 00-02 or power shutdown. To clear the accumulated time, make 06-28=0.

## 5.7.8 Alarm query function

- ◆ This function provides the users with information on the 12 alarm codes mentioned earlier.

Parameter	Name	Factory Value	Setting Range	Content
06-40 P.288	Alarm code query	1	0 ~ 12	The value of 06-40 (P.288), 1~12, corresponds to the abnormal codes of 06-41(P.289)'s alarm E1~E12.
06-41 P.289	Alarm code display	Read	Read	
06-42 P.290	Alarm code query	0	0 ~ 12	<p>When 06-42(P.290)=1, 06-43(P.291) corresponds to the frequency when the No.06-40(P.288)alarm goes off.</p> <p>When 06-42(P.290)=2, 06-43(P.291) corresponds to the current when the No.06-40(P.288)alarm goes off.</p> <p>When 06-42(P.290)=3, 06-43(P.291) corresponds to the output voltage when the No.06-40(P.288)alarm goes off.</p> <p>When 06-42(P.290)=4, 06-43(P.291) corresponds to the accumulation rate of temperature increase when the No.06-40(P.288)alarm goes off.</p> <p>When 06-42(P.290)=5, 06-43(P.291) corresponds to the (+/P)-(-/N) voltage when the No.06-40(P.288)alarm goes off.</p> <p>When 06-42(P.290) =6, 06-43(P.291) corresponds to the length of time the inverter has run before the No.06-40(P.288)alarm goes off.</p> <p>When 06-42(P.290)=7, 06-43(P.291) corresponds to the operation status code when the No.06-40(P.288)alarm goes off.</p> <p>When 06-42(P.290) = 8, 06-43(P.291) corresponds to the year and month when the No.06-40(P.288)alarm goes off.</p> <p>When 06-42(P.290) = 9, 06-43(P.291) corresponds to the day and hour when the No.06-40(P.288)alarm goes off.</p> <p>When 06-42(P.290) = 10, 06-43(P.291) corresponds to the minute and second when the No.06-40(P.288)alarm goes off.</p>
06-43 P.291	Alarm message query	0	0 ~ 10	

Setting Alarm query function

- ◆ This paragraph provides the users with parameter-related information on alarm codes for frequency, current, voltage, as well as the 12 alarm codes and 2 alarm codes recently mentioned earlier. If 00-02 operation is executed, the abnormal codes and the status messages for the occurred alarms recorded by this set of parameters will be all cleared.
- ◆ If both 06-40 and 06-42 are 0, 06-41 and 06-43 will be displayed as 0.
- ◆ Abnormal code corresponded alarm condition:

Abnormal code	Alarm type	Abnormal code	Alarm type	Abnormal code	Alarm type	Abnormal code	Alarm type	Abnormal code	Alarm type
00	No alarm	32	OV1	49	THN	98	OL2	193	CPR
16	OC1	33	OV2	50	NTC	129	AErr		
17	OC2	34	OV3	64	EEP	144	OHT		
18	OC3	35	OV0	66	PIDE	160	OPT		
19	OC0	48	THT	97	OLS	192	CPU		

## 5.8 Communication parameter group 07

Group	Parameter Number	Name	Setting Range	Factory Value	Page
07-00	P.33	Communication protocol selection	0: Modbus protocol	1	128
			1: Shihlin protocol		
07-01	P.36	Inverter station number	0 ~ 254	0	128
07-02	P.32	Serial communication Baud rate selection	0: Baud rate:4800bps	1	128
			1: Baud rate:9600bps		
			2: Baud rate:19200bps		
			3: Baud rate:38400bps		
			4: Baud rate:57600bps		
			5: Baud rate:115200bps		
07-03	P.48	Data length	0: 8bit	0	128
			1: 7bit		
07-04	P.49	Stop bit length	0: 1bit	0	128
			1: 2bit		
07-05	P.50	Parity check selection	0: No parity verification	0	128
			1: Odd		
			2: Even		
07-06	P.51	CR/LFselection	1: CR only	1	128
			2: Both CR and LF		
07-07	P.154	Modbus communication format	0: 1, 7, N, 2 (Modbus, ASCII)	4	128
			1: 1, 7, E, 1 (Modbus, ASCII)		
			2: 1, 7, O, 1 (Modbus, ASCII)		
			3: 1, 8, N, 2 (Modbus, RTU)		
			4: 1, 8, E, 1 (Modbus, RTU)		
			5: 1, 8, O, 1 (Modbus, RTU)		
07-08	P.52	Number of communication retries	0 ~ 10	1	128
07-09	P.53	Communication check time interval	0 ~ 999.8s: Use the set value for the communication overtime test.	99999	128
			99999: No communication overtime test.		
07-10	P.153	Communication error handling	0: Warn and call to stop	0	128
			1: No warning and keep running		
07-11	P.34	Communication EEPROM writing selection	0: Write parameters in communication mode, write into RAM and EEPROM	0	128
			1: Write parameters in communication mode, write into only RAM		

## 5.8.1 Shihlin protocol and Modbusprotocol

- ◆ Parameter settings and monitoring are possible by using the inverter RS-485 terminals and the position machine link communication.

Parameter	Name	Factory Value	Setting Range	Content
07-00 P.33	Communication protocol selection	1	0	Modbus protocol
			1	Shihlin protocol
07-01 P.36	Inverter station number	0	0 ~ 254	The number of inverters is practically determined by the wiring method and impedance matching. If Modbus protocol is used, please set the value to a nonzero value.
07-02 P.32	Serial communication Baud rate selection	1	0	Baud rate:4800bps
			1	Baud rate:9600bps
			2	Baud rate:19200bps
			3	Baud rate:38400bps
			4	Baud rate:57600bps
			5	Baud rate:115200bps
07-03 P.48	Data length	0	0	8bit
			1	7bit
07-04 P.49	Stop bit length	0	0	1bit
			1	2bit
07-05 P.50	Parity check selection	0	0	No parity verification
			1	Odd
			2	Even
07-06 P.51	CR/LFselection	1	1	CR only
			2	Both CR and LF
07-07 P.154	Modbus communication format	4	0	1, 7, N, 2 (Modbus, ASCII)
			1	1, 7, E, 1 (Modbus, ASCII)
			2	1, 7, O, 1 (Modbus, ASCII)
			3	1, 8, N, 2 (Modbus, RTU)
			4	1, 8, E, 1 (Modbus, RTU)
			5	1, 8, O, 1 (Modbus, RTU)
07-08 P.52	Number of communication retries	1	0 ~ 10	If the frequency of communication error exceeds the setting value of 07-08(P.52), and 07-10(P.153) is set to 0, the alarm will go off and display OPT.
07-09 P.53	Communication check time interval	99999	0 ~ 999.8s	Use the set value for the communication overtime test.
			99999	No communication overtime test.
07-10 P.153	Communication error handling	0	0	Warn and call to stop
			1	No warning and keep running

Setting

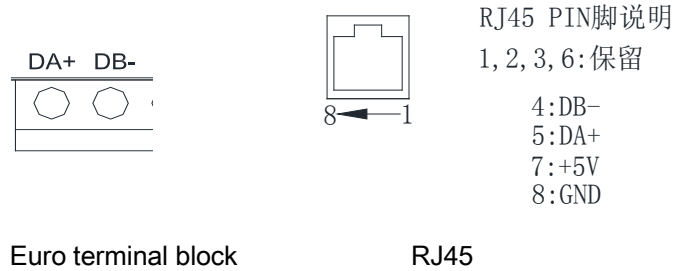
 Shihlin protocol and Modbus protocol

- ◆ When the communication parameters are revised, please reset the inverter.
- ◆ The SC3 inverters have two communication protocols for selection, namely, Shihlin protocol and Modbus protocol. Parameter 07-02, 07-01, 07-08, 07-09 and 07-10 are suitable for both protocols. 07-03~07-06 is only suitable for the Shihlin protocol, while 07-07 is only suitable for the Modbus protocol. Please refer to communication protocols for more details.

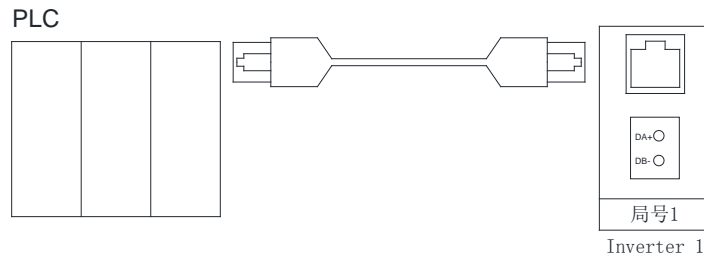
Note: 1. The number of inverters is practically determined by the wiring method and impedance matching. If Modbus protocol is used, please set the value to a nonzero value.  
 2. If the frequency of communication error exceeds the setting value of 07-08(P.52), and 07-10(P.153) is set to 0, the alarm will go off and display OPT.  
 3. Modbus protocol. Displayed according to the starting bit, the data bit, parity check bit, and the stop bit. N: no parity check. E: 1-bit parity check. O: 1-bit odd parity check.

✓ SC3 RS-485 Communication interface constituents and wiring

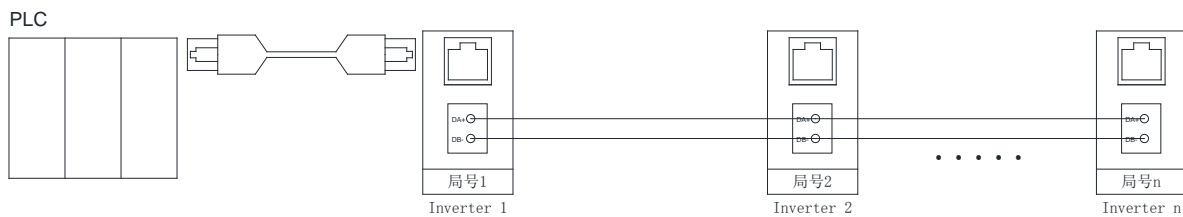
1. SC3 RS-485 communication interface terminal arrangement



2. Communication between the position machine and single inverter (take PLC as an example).



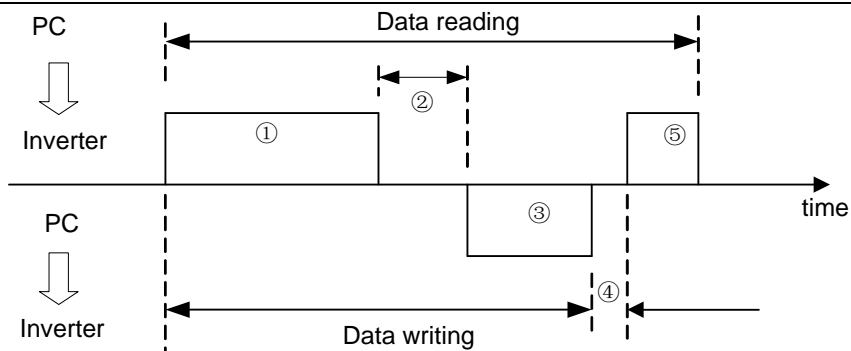
3. Communication between the position machine and multiple inverters (take PLC as an example).



4. SC3 series inverters support Shihlin communication protocol and MODBUS communication protocol.

✓ Shihlin communication protocol

1. Automatically switch the position machine and the inverter to ASCII codes (hexadecimal) for communication.
2. Please follow the following steps for data communication between the position machine and the inverter.



The above steps concerning communication actions and communication data format are explained below:

No.	Action content	Operation reference	Frequency write-in	Parameter write-in	Inverter reset	Monitoring	Parameters Read-out	
①	Use the position machine's user procedure to send communication request to the inverter.	A	A	A	A	B	B	
②	Inverter data processing time	Yes	Yes	Yes	No	Yes	Yes	
③	Inverter's replay data (check data ① error)	No error(Accept the request)	C	C	C	No	E	E
		Error exists (Refuse the request)	D	D	D	No	D	D
④	Position machine's processing delay time	No	No	No	No	No	No	
⑤	Reply from the position machine regarding reply data ③ (Check data ③ error)	No error (No processing)	No	No	No	No	C	C
		Error exists (Output ③)	No	No	No	No	F	F

①Data of the communication request sent by the position machine to the inverter.

Format	Data number													
	1	2	3	4	5	6	7	8	9	10	11	12	13	14
A (Data write-in)	ENQ *1)	Inverter station number		Reference code	Waiting time *2)		Data				Check code Sum check*7)		End symbol*3)	
B (Data read-out)	ENQ *1)	Inverter station number		Reference code	Waiting time *2)		Check code Sum check*7)		Endsymbol*3)					

③Inverter reply data

Data write-in

Format	Data number						
	1	2	3	4	5	6	
C(No data error)	ACK*1)		Inverter station number		End symbol*3)		
D(With data error)	NAK*1)		Inverter station number		Error code*5)		End symbol*3)

Data read-out

Format	Data number												
	1	2	3	4	5	6	7	8	9	10	11	12	13
E(No data error)	STX*1)	Inverter station		Data read-out				Unit *4)	ETX	Check code		End	



		number				Sum check*7)	symbol *3)
D(With data error)	NAK*1)	Inverter station number	Error code *5)	End symbol *3)			

⑥Reply data from the position machine to the inverter during data read-out.

Format	Data number				
	1	2	3	4	5
C(No data error)	ACK*1)	Inverter station number		End symbol *3)	
F(With data error)	NAK*1)	Inverter station number		End symbol *3)	

\*1) Control code

Signal	ASCIICode	Content	Signal	ASCIICode	Content
NUL	H00	NULL(Empty)	ACK	H06	Acknowledge(No data error)
STX	H02	Start of Text(Data begin)	LF	H0A	Line Feed(Change line)
ETX	H03	End of Text(Data end)	CR	H0D	Carriage Return
ENQ	H05	Enquiry(Communication request)	NAK	H15	Negative Acknowledge(Data errors)

\*2) Set the waiting time from 0 to 15 with a 10ms unit. Example: 5 --->50ms.

\*3) End symbol (CR, LF codes)

When carrying out data communication from the position machine to the inverter, CR and LF codes at the end of the text are automatically set according to method of the position machine. At this time, the inverter has to be set according to the position machine, too. If only CR is selected, only one register will be occupied; if both CR and LF are selected, two registers will be occupied.

\*4) Unit: 0---> Unit 1, 1---> Unit 0.1, 2---> Unit 0.01, 3---> Unit 0.001

\*5) Error code:

Error code	Error item	Communication error and abnormality
H01	Error	The parity check of the data received by the inverter is different from the parity check set initially.
H02	Sum Check Error	The Sum Check calculated by the inverter according to the received data is different from the received Sum Check.
H03	Communication protocol error	The syntax of the data received by the inverter has errors. The data is not completely received during the assigned period of time. CR and LF codes are different from the initial setting.
H04	Frame error	The stop bit of the data received by the inverter does not match to the stop bit set initially.
H05	Overflow error	When the inverter is receiving data, the position machine sends the next set of data before the inverter finishes receiving the current one.
H0A	Abnormal mode	The running inverter or the operation of the inverter disqualifies the requirements of the mode setting.
H0B	Reference code error	The user assigns a reference code that cannot be processed by the inverter.
H0C	Data range error	When setting the parameters and frequencies, the set values are outside the set range of the data.

\*6) When the parameter has the characteristics of 99999, the write-in or read-out of 99999 will be replaced by HFFFF.

\*7)Request the sum check code

The converted ASCII codes of the data are summed up in binary digit format. The lower bits (the lower eight bits) of the result (the sum) converted into ASCII binary digits (hexadecimal) are termed as the Sum Check Code.

✓ Communication example:

Example 1. The position machine sends a forward rotation reference to the inverter:

Step 1: Use the position machine to send a FA reference in Format A:

Communication parameter group07

ENQ	Inverter station number 0	Reference code HFA	Waiting time	Data H0002	Check code Sum Check	CR
H05	H30 H30	H46 H41	H30	H30 H30 H30 H32	H44 H39	H0D

Sum Check calculation is:  $H30 + H30 + H46 + H41 + H30 + H30 + H30 + H30 + H32 = H1D9$ , take the lower eight bits D9 to convert to ASCII code H44 and H39.

Step 2: After receiving and processing the data without error, the inverter will send a reply to the position machine in Format C:

ACK	Inverter station number 0	CR
H06	H30 H30	H0D

Example 2. The position machine sends a stop rotation reference to the inverter:

Step 1: Use the position machine to send a FA reference in Format A:

ENQ	Inverter station number 0	Reference code HFA	Waiting time	Data H0000	Check code Sum Check	CR
H05	H30 H30	H46 H41	H30	H30 H30 H30 H30	H44 H37	H0D

Step 2: After receiving and processing the data without error, the inverter will send a reply to the position machine in Format C:

ACK	Inverter station number 0	CR
H06	H30 H30	H0D

Example 3. The read-out value of the position machine 02-15(P.195):

Step1: The position machine sends the write-in page break reference to the inverter using Format A:

ENQ	Inverter station number 0	Reference code HFF	Waiting time	Data H0001	Check code Sum Check	CR
H05	H30 H30	H46 H46	H30	H30 H30 H30 H31	H44 H44	H0D



02-15(P.195) is on page 1

Step 2: After receiving and processing the data without error, the inverter will send a reply to the position machine in Format C:

ACK	Inverter station number 0	CR
H06	H30 H30	H0D

Step 3: The position machine requests the inverter for reading the value 02-15(P.195) using Format B:

ENQ	Inverter station number 0	Reference code H5F	Waiting time	Check code Sum Check	CR
H05	H30 H30	H35 H46	H30	H30 H42	H0D



First 195 minus 100 equals to 95, then convert 95 to H5F hexadecimal digits. Next convert 5 and into H35 and H46, respectively, in ASCII code.

Step 4: Once the inverter receives and processes the data without error, the value of 02-15(P.195) will be sent to the position machine in Format E:

STX	Inverter station number 0	Read-out data H1770(60Hz)	Unit	ETX	Check code Sum Check	CR
H02	H30 H30	H31 H37 H37 H30	H32	H03	H36 H31	H0D

Example 4. Change the content of 02-15(P.195) to 50 (the original factory setting is 60).

Step 1 to 2: Omitted (Same as Step 1 to 2 of Example 3);

Step 3: The position machine requests the inverter to write 50 in 02-15(P.195) in Format A:

ENQ	Inverter station number 0	Reference code HDF	Waiting time	Data H1388	Check code Sum Check	CR
H05	H30 H30	H44 H46	H30	H31 H33 H38 H38	H45 H45	H0D

First, 195 minus 100 equals to 95;  
Concert 95 to H5F hexadecimal digits,  
H5F+H80=HDF  
codes for transmission.

because the smallest unit of 02-15(P.195) is 0.01,  
50 x 100 = 5000; then convert 5000 to hexadecimal  
digits H13888; Then covert 1, 3, 8 and 8 to ASCII

Step 4: After receiving and processing the data without error, the inverter will send a reply to the position machine in Format C:

ACK	Inverter station number 0	CR
H06	H30 H30	H0D

Example 5. Write 500 into 02-15(P.195) (this parameter range is set from 0 to 400)

Step 1 to 2: Omitted (same as Step 1 and 2 of Example 3);

Step 3: The position machine requests the inverter to write 500 into02-15(P.195) in Format A:

ENQ	Inverter station number 0	Reference code HDF	Waiting time	Data HC350	SUM CHECK	CR
H05	H30 H30	H44 H46	H30	H43 H33 H35 H30	H46 H35	H0D

Step 4: After the inverter receives and processes the information, because the data exceed the set range of 02-15(P.195), the data range is incorrect. The inverter will reply the error to the position machine in Format D:

NAK	Inverter station number 0	Error code H0C	CR
H15	H30 H30	H43	H0D

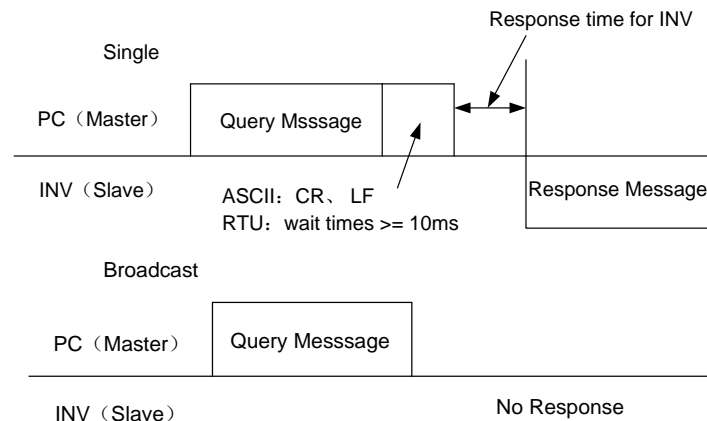
Note: Examples above adopt P mode to read and write parameter 02-15(P.195), if Parameter group mode is needed, please notice the differences on pages and parameter number. Please refer to the list of communication references.

## Communication parameter group07

### ✓ MODBUS communication protocol

### ✓ Message format

MODBUS serial transmission can be divided into two types: ASCII (American Standard Code for Information Interchange) and RTU (Remote Terminal Unit).



#### (1) Query

Position machine (main address) sends messages to the inverter of the assigned address (from the address).

#### (2) Normal Response

After receiving the query from the Master, the Slave will execute the requested function and ask the Master to send the normal response.

#### (3) Error Response

When receiving invalid function codes, address or data, the inverter will send the response to the Master.

#### (4) Broadcast

The Master will assign the address 0, and the slave will send the message to all the Slaves. Once receiving a message from the Master, all the Slaves will execute the requested function without responding to the Master.

### ✓ Communication format:

Basically, the Master will send Query Message to the inverter, which will send the response message to the Master. The address and function codes are duplicated for regular communication. Bit 7 of functional code during abnormal communication is positioned as "1" (=H80). The data baste is set to be the error code.

### ✓ Message constituents:

Format	Start	①Address	②Function	③Data	④Error check	Stop
ASCII	H3A	8bits	8bits	n×8bits	2×8bits	0D 0A
RTU	$\geq 10\text{ms}$					$\geq 10\text{ms}$

Message	Content
①Address message set	Setting range: 0~254.0 is the broadcasting address; 1~254 are the equipment (inverter) address. The setup of 07-01 is based on the equipment address. The set up is carried out when the main equipment sends messages to the equipment and when the equipment sends reply message to the main equipment.
②Function message set	Only three functions have been done so far. The equipment carries out actions according to the request from the equipment. The main equipment sets functional codes excluded from the table below. The equipment returns error response. It is determined by the response from the equipment; regular function codes are the response for regular responses; H80 + function codes are the response for error responses.

Message	Content															
②Function message set	<table border="1"> <thead> <tr> <th>Function name</th> <th>Function code</th> <th>Function description</th> </tr> </thead> <tbody> <tr> <td>Read multiple registers</td> <td>H03</td> <td>Read slave machine's continuous register content.</td> </tr> <tr> <td>Write single register</td> <td>H06</td> <td>Write data into slave machine's single register.</td> </tr> <tr> <td>Function diagnosis</td> <td>H08</td> <td>Function diagnosis (only for communication calibration)</td> </tr> <tr> <td>Write multiple registers</td> <td>H10</td> <td>Write data into slave machine's multiple registers.</td> </tr> </tbody> </table>	Function name	Function code	Function description	Read multiple registers	H03	Read slave machine's continuous register content.	Write single register	H06	Write data into slave machine's single register.	Function diagnosis	H08	Function diagnosis (only for communication calibration)	Write multiple registers	H10	Write data into slave machine's multiple registers.
	Function name	Function code	Function description													
	Read multiple registers	H03	Read slave machine's continuous register content.													
	Write single register	H06	Write data into slave machine's single register.													
	Function diagnosis	H08	Function diagnosis (only for communication calibration)													
Write multiple registers	H10	Write data into slave machine's multiple registers.														
③Data message set	Changes, including the starting address, the number of the write-in or read-out registers, and the write-in data, are made according to the function codes.															
④Error check message set	ASCII is the check method for LRC, while RTU is the check method for CRC.															

#### ASCII mode's LRC check value calculation:

LRC check is simpler and it is used in the ASCII mode for checking the content of the message domain, excluding the colon at the beginning and the line change enter symbol at the end. It only sums up all the data to be transmitted according to the bite (not the ASCII code). If the result is greater than H100 of the hexadecimal digit, remove the exceeded part (e.g., if the result is H136 of the hexadecimal digit, then take H36 only) and add one.

#### RTU mode, CRC check value calculation:

- 1 . Add one hexadecimal digit register. All the digits are 1.
- 2 . Carry out XOR calculation for the higher bit of the hexadecimal digit register and the eight bits. The calculated result is entered to the hexadecimal digit register.
- 3 . Shift this hexadecimal digit register one bit to the right.
- 4 . If the right shifted bit (the marked bit) is 1, then polynomial 101000000000001 and this register will carry out the XOR calculation. If the right shifted bit is 0, then it will return to 3.
- 5 . Repeat 3 and 4 until 8 bits are shifted.
- 6 . The other eight bits and the hexadecimal register carry out the XOR calculation.
- 7 . Repeat 3~6 until all the bytes of the text carry out the XOR calculation with the hexadecimal register and was shifted for eight times.
- 8 . The hexadecimal register content is the 2-byte CRC error checking, and it is added to the highest valid bit of the text.  
When CRC is added to the message, lower bytes are added first, followed by the higher bytes.

#### ✓ Communication format:

##### 1. Data read-out (H03)

Mode	Start	Address*1)	Function*2)	Start Address*3)	Number of register*4)	Check	Stop
ASCII	H3A	2char	2char	4char	4char	2char	0D 0A
RTU	>=10ms	8bit	8bit	2byte	2byte	2byte	>=10ms

Regular response

Mode	Start	Address*1)	Function*2)	Read-out data number *5)	Read-out data*6)		Check	Stop
ASCII	H3A	2char	2char	2char	4char	...2N×8bit	2char	0D 0A
RTU	>=10ms	8bit	8bit	1byte	2byte	...N×8bit	2byte	>=10ms

Message	Content
*1)Address	Set up the address for the to-be delivered message; 0 for invalid.
*2)Function code	H03
*3)Starting address	Set up the address of the register for reading the message.
*4)Number of register	Set up the number of register for reading. Maximum number: 20.
*5)Amount of data to be read	Twice the amount of *4)
*6)Data to-be read	Set the data for *4); the data will be read according to the descending sequence

2. Data write-in (H06)

Mode	Start	Address*1)	Function*2)	Start Address*3)	Write-in data*4)	Check	Stop
ASCII	H3A	2char	2char	4char	4char	2char	0D 0A
RTU	>=10ms	8bit	8bit	2byte	2byte	2byte	>=10ms

Regular response

Mode	Start	Address*1)	Function*2)	Start Address*3)	Write-in data*4)	Check	Stop
ASCII	H3A	2char	2char	4char	4char	2char	0D 0A
RTU	>=10ms	8bit	8bit	2byte	2byte	2byte	>=10ms

Message	Content
*1)Address	Set up the address for the to-be delivered message.
*2)Function code	H06
*3)Starting address	Set up the starting address of the register to be engaged in the write-in function.
*4)Write-in data	Write the data in the assigned register. The data have to be 16bit (fixed).

Note: Regular response content and the inquired message are the same.

3. Write multiple registers (H10)

Mode	Start	Address*1)	Function*2)	Start Address*3)	Number of register *4)	Data*5)	Write-in data *6)		Check	Stop
ASCII	H3A	2char	2char	4char	4char	2char	4char	...2N×8bit	2char	0D 0A
RTU	>=10ms	8bit	8bit	2byte	2byte	1byte	2byte	...N×16bit	2byte	>=10ms

Regular response

Mode	Start	Address*1)	Function*2)	Start Address*3)	Number of register *4)	Check	Stop
ASCII	H3A	2char	2char	4char	4char	2char	0D 0A
RTU	>=10ms	8bit	8bit	2byte	2byte	2byte	>=10ms

Message	Content
*1)Address	Set up the address for the to-be delivered message.
*2)Function code	H10
*3)Starting address	Set up the starting address of the register to be engaged in the write-in function.
*4)Number of register	Set up the number of register for reading. Maximum number: 20.
*5) Amount of data	The range should be 2 ~ 24. Set Twice the amount of *4).
*6)Write-in data	Set the assigned data in *4), write the data according to the sequence of the Hi byte and the Lo byte and the data of the starting address: According to the order of the data of the starting address +1, data of the starting address +2..., etc.

#### 4. Function Diagnosis (H08)

By sending query information and getting the same query information back (the function of the subroutine code H00), it can do communication calibration.

The subroutine code H00 (for inquiring the return of data)

The query information

Mode	Start	Address*1)	Function*2)	Subroutine *3)	Data *4)	Check	End
ASCII	H3A	2char	2char	4char	4char	2char	0D 0A
RTU	>=10ms	1byte	1byte	2byte	2byte	2byte	>=10ms

Normal response

Mode	Start	Address*1)	Function*2)	Subroutine *3)	Data *4)	Check	End
ASCII	H3A	2char	2char	4char	4char	2char	0D 0A
RTU	>=10ms	1byte	1byte	2byte	2byte	2byte	>=10ms

Setting of the query information

Message	Content
*1)Address	Set the address for the information to be sent to, not able to radio communications(0 invalid)
*2)Function code	H08
*3)Subroutine code	H0000
*4)Data	If the data is 2 byte, it can be set arbitrarily. Set range from H0000 to HFFFF.

#### 5. Error response

Carry out error response according to the error in the function, address and data of the query message received by the equipment.

There will be no errors if one or more addresses can be operated when they are accessed by the function code H03 or H10.

Mode	Start	Address*1)	Function*2) H80+function	Error code * 3)	Check	End
ASCII	H3A	2char	2char	2char	2char	0D 0A
RTU	>=10ms	8bit	8bit	8bit	2byte	>=10ms

Message	Content
*1) Address	Set up the address for the to-be delivered message.
*2) Function code	The function code set for the main equipment + H80
*3)Error code	Set the codes listed in the table below.

The list of error codes:

Source	Code	Meaning	Remarks
Slave reply	H01	Invalid function code	Set up function codes that cannot be handled by the equipment in the query message sent by the main equipment. Function codes that are not H03, H06, H08 and H10 (temporarily).
	H02	Invalid data address	Set up addresses that cannot be handled by the equipment in the query message sent by the main equipment (Asides from the addresses listed in the address table of the register; preserve the parameters, prohibit parameter reading, prohibit parameter writing).
	H03	Invalid data value	Set up data that cannot be handled by the equipment in the query message sent by the main equipment (parameters written outside the range, exist assigned mode, other errors, etc.)

Note: When performing multi-parameter reading, reading a preserved parameter is not a mistake.

Data sent to the main equipment will be tested by the inverter for the following mistakes, but the inverter will make no response for any detected error.

The list of the error test items:

Error item	Error content
Parity error	The parity test for data received by the inverter is different from the parity test set at the initial stage.
Frame error	The stop byte of the data received by the inverter mismatches the stop byte set at the initial stage.
Overflow error	When the inverter is receiving data, the position machine sends the next set of data before the inverter finishes receiving the current one.
Error test	The LRC/CRC calculated by the inverter according to the received data is different from the received LRC/CRC.

✓ Communication example:

Example 1. The operation mode written by the communication is the CU (communication) mode.

Step 1: The position machine modifies the mode of the inverter.

Mode	Starting	Address	Function	Starting address		Write-in data		Check	Stop
ASCII	H3A	H30 H31	H30 H36	H31H30	H30 H30	H30 H30	H30 H30	H45 H39	0D 0A
RTU	>=10ms	01	06	10	00	00	00	8D 0A	>=10ms

Step 2: After receiving and processing the data without error, the inverter will send a reply to the position machine:

Mode	Starting	Address	Function	Starting address		Write-in data		Check	Stop
ASCII	H3A	H30 H31	H30 H36	H31H30	H30 H30	H30 H30	H30 H30	H45 H39	0D 0A
RTU	>=10ms	01	06	10	00	00	00	8D 0A	>=10ms

Example 2. Read the parameter 02-15(P.195) value by the position machine

Step 1: The position machine sends message to the inverter for reading the value of 02-15(P.195).The address of 02-15(P.195) is H00C3.

Mode	Starting	Address	Function	Starting address		Number of registers		Check	Stop
ASCII	H3A	H30 H31	H30 H33	H30H30	H43 H33	H30 H30	H30 H31	H33 H38	0D 0A
RTU	>=10ms	01	03	00	C3	00	01	74 36	>=10ms

Step 2: Once the message is received and processed without mistake, the inverter will send the content of 02-15(P.195) to the position machine.



Mode	Starting	Address	Function	Number of data read	Read-out data		Check	Stop
ASCII	H3A	H30 H31	H30 H33	H30 H32	H31 H37	H37 H30	H37 H33	0D 0A
RTU	>=10ms	01	03	02	17	70	B6 50	>=10ms

Because the decimal form of H1770 is 6000 and the unit of 02-15(P.195) is 0.01, 02-15(P.195) is 60 (6000 x 0.01 = 60).

Example 3. Change the content of 02-15(P.195) to 50.

Step 1: The position machine sends message to the inverter for writing 50 into 02-15(P.195).

Mode	Starting	Address	Function	Starting address		Write-in data		Check	Stop
ASCII	H3A	H30 H31	H30 H36	H30H30	H43 H33	H31 H33	H38 H38	H39 H42	0D 0A
RTU	>=10ms	01	06	00	C3	13	88	74 A0	>=10ms

Step 2: After receiving and processing the data without error, the inverter will send a reply to the position machine:

Mode	Starting	Address	Function	Starting address		Write-in data		Check	Stop
ASCII	H3A	H30 H31	H30 H36	H30H30	H43 H33	H31 H33	H38 H38	H39 H42	0D 0A
RTU	>=10ms	01	06	00	C3	13	88	74 A0	>=10ms

Example 4. Read the values of parameters 01-10(P.0), 01-00(P.1), 01-01(P.2), 01-03(P.3),

04-00~04-02/P.4~P.6, 01-06~01-07/P.7~P.8, 06-00(P.9), 10-00~10-01/P.10~P.11 by the position machine.

Step 1: The position machine sends message to the inverter for reading the value of 01-10(P.0), 01-00(P.1),

01-01(P.2), 01-03(P.3), 04-00~04-02/P.4~P.6, 01-06~01-07/P.7~P.8, 06-00(P.9), 10-00~10-01/P.10~P.11.

Starting address is H0000.

Mode	Starting	Address	Function	Starting address		Number of registers		Check	Stop
ASCII	H3A	H30 H31	H30 H33	H30H30	H30 H30	H30 H30	H30 H43	H46 H30	0D 0A
RTU	>=10ms	01	03	00	00	00	0C	45 CF	>=10ms

Step 2: After receiving and processing the data without error, the inverter will send a reply to the position machine:

Mode	Starting	Address	Function	Number of data read	Read-out data	Check	Stop
ASCII	H3A	H30 H31	H30 H33	H31 H38	...12x4 char	2char	0D 0A
RTU	>=10ms	01	03	18	...12x2 byte	2byte	>=10ms

Example 5. Rewrite the values of parameters 01-10(P.0), 01-00(P.1), 01-01(P.2), 01-03(P.3), 04-00~04-02/P.4~P.6,

01-06~01-07/P.7~P.8, 06-00(P.9), 10-00~10-01/P.10~P.11 by the inverter

Step 1: The position machine sends message to the inverter for writing the value of 01-10(P.0), 01-00(P.1),

01-01(P.2), 01-03(P.3), 04-00~04-02/P.4~P.6, 01-06~01-07/P.7~P.8, 06-00(P.9), 10-00~10-01/P.10~P.11.

Mode	Starting	Address	Function	Starting address		Number of registers		Data volume	Write-in data	Check	Stop
ASCII	H3A	H30 H31	H31 H30	H30 H30	H30 H30	H30 H30	H30 H43	H31 H38	...Nx4 char	2char	0D 0A
RTU	>=10ms	01	10	00	00	00	0C	18	...Nx2byte	2byte	>=10ms

Step 2: After receiving and processing the data without error, the inverter will send a reply to the position machine:

Mode	Starting	Address	Function	Starting address		Number of registers		Check	Stop
ASCII	H3A	H30 H31	H31 H30	H30H30	H30 H30	H30 H30	H30 H43	H45 H33	0D 0A
RTU	>=10ms	01	10	00	00	00	0C	00 18	>=10ms

Note: Examples above adopt P mode to read and write parameter 02-15(P.195), if Parameter Group mode is needed, please notice the differences on address. Please refer to the list of communication references.

Communication parameter group07

◆ The list of communication references

The following references and data are set for carrying out assorted operation control and monitoring.

Item		Shihlin protocol reference code	Modbus reference code	Modbusaddress	Data content and function description										
Operation mode read-out		H7B	H03	H1000	H0000: communication mode; H0001: external mode; H0002: JOG Mode; H0003: combination mode 1; H0004: combination mode 2; H0005: combination mode 3; H0006: combination mode 4; H0007: combination mode 5; H0008: PUMode; <table border="1" style="margin-left: 20px;"> <tr> <td>b15</td> <td>b14 ~ b12</td> <td>b11 ~ b8</td> <td>b7 ~ b0</td> <td>:</td> </tr> <tr> <td>1</td> <td>Setting value of 00-18</td> <td>Setting value of 00-17</td> <td>00000000</td> <td></td> </tr> </table> the second operation mode.	b15	b14 ~ b12	b11 ~ b8	b7 ~ b0	:	1	Setting value of 00-18	Setting value of 00-17	00000000	
b15	b14 ~ b12	b11 ~ b8	b7 ~ b0			:									
1	Setting value of 00-18	Setting value of 00-17	00000000												
Operation mode write-in		HFB	H06/H10												
Inverter status monitoring		H7A	H03	H1001	H0000~H00FF b15: during tuning b14:during inverter resetting b13, b12: Reserve b11:inverter EO status b10: keep b9: keep b8: keep b7: abnormality occurred b6: frequency test b5: End parameters to restore the default values b4: overloaded b3: reached the frequency b2: during reverse rotation b1: during forward rotation b0: during rotation										
Target frequency write-in	EEPRO M RAM	HEE HED	H06/H10	H1009 H1002	H0000~ HFDE8: 0~650Hz										
Special monitor select codes read out		H7D	H03	H1013	H0000~H0010:monitor selected information. Special monitor select read out codes as described in the special monitoring code table (H0009 is reserved)										
Special monitor select codes write in		HF3	H06/H10												
Monitor the external operation condition		H7C	H03	H1012	H0000~H000F: <table border="1" style="margin-left: 20px;"> <tr> <td>b15~b4</td> <td>b3</td> <td>b2</td> <td>b1</td> <td>b0</td> </tr> <tr> <td>0000 0000 0000</td> <td>MRS</td> <td>STR</td> <td>STF</td> <td>RES</td> </tr> </table>	b15~b4	b3	b2	b1	b0	0000 0000 0000	MRS	STR	STF	RES
b15~b4	b3	b2	b1	b0											
0000 0000 0000	MRS	STR	STF	RES											
Inverter reset		HFD	H06/H10	H1101	H9696: function of 00-02=2/P.997=1. When communicating with the position machine, resetting the inverter will cause the inverter to be incapable of sending data back to the position machine.										

Item	Shihlin protocol reference code	Modbus reference code	Modbusaddress	Data content and function description	
Parameter delete	HFC	H06/ H10	H1104	H5A5A	For details, please refer to the parameter restoration status table.
				H5566	
				H5959	
			H1103	H9966	
			H1106	H9696	
				H99AA	
				H9A9A	
H1105	H55AA				
H1102	HA5A5				
Parameter read-out	H00~H63	H03	P mode: H0000~ H0141  Parameter group mode: H2710~ H2CFF	<ol style="list-style-type: none"> <li>The data range and the position of the decimal point, please refer to the parameter table..</li> <li>In P mode, the Modbus address of each parameter corresponds to the hexadecimal digit of the parameter number. For example, the Modbus address of 04-26(P.138) is H008A.</li> <li>In parameter group mode, the Modbus address of each parameter corresponds to the parameter number+ the hexadecimal digit of 10000, such as the Modbus address of 04-26(P.138) is 0x28BA.</li> </ol>	
Parameter write-in	H80~HE3	H06/ H10			
Line speed feedback read-out	---	H03	H100A	H0000~HFDE8	
Line speed feedback write-in		H06/H10			
Line speed target value read-out	---	H03	H100B	H0000~HFDE8	
Line speed target value write-in		H06/H10			
Tension reference read-out	---	H03	H100C	H0000~H7530	
Tension reference write-in		H06/H10			
Torque reference read-out	---	H03	H100D	H0000~H2710(0~100.00%) HD8F0~HFFFF(-100.00%~0)	
Torque reference write-in		H06/H10			
Loopback test for asynchronous serial communication	---	H08	H0000 (sub function code for loopback test)	The content value is arbitrary (H0000~HFFFF)	

Item	Shihlin protocol reference code	Modbus reference code	Modbusaddress	Data content and function description
Operation reference write-in	HFA	H06/ H10	H1001	H0000~HFFFF b8~b15: reserve. b7: inverter emergency stop (MRS) b6: the second function (RT) b5: high speed (RH) b4: medium speed (RM) b3: low speed (RL) b2: reverse rotation (STR) b1: forward rotation (STF) b0: reserve.
Monitor the INV real-time data	---	H03	H1014~H1026	The corresponding monitoring value of each Modbus address is as follows: H1014: digital input terminal input state. H1015: digital input terminal output state. H1016: 2-5 terminal input voltage H1017: 4-5 terminal input current/voltage H1018: AM1-5 terminal output voltage/current H1019: DC bus voltage H101A: the electronic thermal accumulation rate of inverter H101B: inverter output power H101C: the temperature rising accumulation rate of inverter H101D: the NTC temperature accumulation of inverter H101E: the electronic thermal accumulation rate of motor H101F: target pressure when PID control H1020: feedback pressure when PID control H1021: rotating speed fed back by PG H1022: HDI terminal input frequency H1023: reserve H1024: AM2-5 terminal output voltage / current H1025: output torque of inverter H1026: 3-5terminal input voltage

Item		Shihlin protocol reference code	Modbus reference code	Modbus address	Data content and function description					
Page change for parameter reading and writing Page change for parameter reading and writing	Read	H7F	---	---	P mode: H0000: P.0~P.99; H0001: P.100~P.199; H0002: P.200~P.299; H0003: P.300~P.399; H0004: P.400~P.499; H0005: P.500~P.599; H0006: P.600~P.699; H0007: P.700~P.799; H0008: P.800~P.899; H0009: P.900~P.999; H000A: P.1000~P.1099; H000B: P.1100~P.1199; H000C: P.1200~P.1299; Parameter group mode: H0064: 00-00~00-99; H0065: 01-00~01-99; H0066: 02-00~02-99; H0067: 03-00~03-99; H0068: 04-00~04-99; H0069: 05-00~05-99; H006A: 06-00~06-99; H006B: 07-00~07-99; H006C: 08-00~08-99; H006D: 09-00~09-99; H006E: 10-00~10-99; H006F: 11-00~11-99; H0070: 12-00~12-99; H0071: 13-00~13-99; H0072: 14-00~14-99; H0073: 15-00~15-99					
	Write	HFF								
Monitoring	Frequency setup	EEPRM	H73	H03	H1009	H0000~HFDE8(two decimal points when 00-08=0; one decimal point when non-zero)				
		RAM	H6D		H1002					
	Output frequency		H6F		H1003	H0000~H9C40(same as above)				
	Output current		H70		H1004	H0000~HFFFF(two decimal points)				
	Output voltage		H71		H1005	H0000~HFFFF(two decimal points)				
	Abnormal content		H74		H1007	H0000~HFFFF: Abnormal codes from the last two times H74/H1007: Error code 1 and 2; b15                      b8 b7                      b0 <table border="1" style="width: 100%; border-collapse: collapse;"> <tr> <td style="width: 50%; text-align: center;">Error code 2</td> <td style="width: 50%; text-align: center;">Error code 1</td> </tr> </table> H75/H1008: Error code 3 and 4; b15                      b8 b7                      b0 <table border="1" style="width: 100%; border-collapse: collapse;"> <tr> <td style="width: 50%; text-align: center;">Error code 4</td> <td style="width: 50%; text-align: center;">Error code 3</td> </tr> </table> For abnormal codes, please refer to the abnormal code list in the abnormal record parameter06-40~06-43.	Error code 2	Error code 1	Error code 4	Error code 3
			Error code 2		Error code 1					
Error code 4	Error code 3									
H75	H1008									

## Communication parameter group07

### ◆ Parameter restoration condition table

Data content	Parameter P operation	Communication Parameter P (Note 1)	Table 1 (Note2)	Table 2 (Note2)	User registered parameter	Other P parameters	Error codes
H5A5A	00-02=4(P.999=1)	o	x	x	o	o	x
H5566	00-02=5(P.999=2)	o	x	o	x	o	x
H5959	00-02=6(P.999=3)	o	x	x	x	o	x
H9966	00-02=3(P.998=1)	o	x	o	o	o	x
H9696	Communication 999 1	x	x	x	o	o	x
H99AA	Communication 999 2	x	x	o	x	o	x
H9A9A	Communication 999 3	x	x	x	x	o	x
H55AA	Communication 998	x	x	o	o	o	x
HA5A5	00-02=1(P.996=1)	x	x	x	x	x	o

Note: 1. Communication P parameters includes 07-02(P.32), 07-00(P.33), 07-01(P.36), 07-03(P.48)~ 07-09(P.53), 00-16(P.79), 07-10(P.153) and 07-07(P.154).

2. For the table 1 and table 2, please refer to Section 5.1.2.

### ◆ The table of the special monitor code

Information	Content	Unit
H0000	Monitor the digital input terminal input port state.	注 1
H0001	Monitor the digital output terminal output port state.	注 2
H0003	Monitor the voltage/current which can be input across terminal 4-5.	0.01A/0.01V
H0005	Monitor the DC bus voltage value.	0.1V
H0006	Monitor the electronic thermal accumulation rate	---
H0007	The temperature rising accumulation rate of inverter	0.01
H0008	The inverter output power	0.01kW
H000A	The electronic thermal accumulation rate of motor	---
H000B	Target pressure when PID control	0.1%
H000C	Feedback pressure when PID control	0.1%
H000F	Reserve	---
H0011	The inverter output torque	0.1%

Note: 1. Details of the digital input terminal input port state.

b3	b2	b1	b0
M1	M0	STR	STF

2. Details of the digital output terminal output port state.

b1	b0
A-C	1

## 5.8.2 Writing Selection of Communication EEPROM

►Set it when you need to change the parameter

Parameter	Name	Name	Name	Content
07-11 P.34	Writing selection of communication EEPROM	0	0	Write the parameter of EEPROM , RAM through communication.
			1	Write the parameter of RAM through communication.

Setting

Function of communication EEPROM write selection.

- ◆ Writing the parameter the RS-485 terminal of the inverter,you can change the by parameter storage device form EEPROM to RAM .
- ◆ If you want to change parameter frequently,please make the setting value of 07-11(p.34) communication EEPROM writing selection as1.But it youset it as 0,the EEPROM life will.If the setting the value of EEPROM data writing is 0,the life of EEPROM will be shortened by frequent EEPROM data writing.

Note : If 07-11(p.34) =1(only RAM data writing),If the inverter is power off, the parameter will be lost when the value of 07-11(p.34)is set as 1(only RAM data writing.)

## 5.9 PID parameter group08


Group	Parameter Number	Name	Setting Range	Factory Value	Page
08-00	P.170	PID function selection	0: PID function non-selected	0	146
			1:Parameter 08-03(P.225) sets target value.Take the input of terminal 2-5 as target source		
08-01	P.171	PID feedback control method	0: Negative feedback control.	0	146
			1: Positive feedback control.		
08-03	P.225	PID target value panel reference	0 ~ 100.0%	20.0%	147
08-04	P.172	Proportion gain	1~100	20	147
08-05	P.173	Integral time	0 ~ 100.00s	1.00s	147
08-06	P.174	Differential time	0 ~ 10000ms	0ms	147
08-07	P.175	Abnormal deviation	0 ~ 100.0%	0.0%	147
08-08	P.176	Exception duration time	0 ~ 600.0s	30.0s	147
08-09	P.177	Exception handling mode	0: Free stop	0	147
			1: Decelerate and stop		
			2: Continue to run when the alarm goes off		
			0 ~ 100.0%		
08-10	P.178	Sleep detects deviation	0 ~ 100.0%	0.0%	
08-11	P.179	Sleep detects duration time	0 ~ 255.0s	1.0s	147
08-12	P.180	Revival level	0 ~ 100.0%	90.0%	147
08-13	P.181	Outage level	0 ~ 120.00Hz	40.00Hz	147
08-14	P.182	Integral upper limit	50.00Hz : 0 ~ 120.00Hz	50.00Hz	147
			60.00Hz : 0 ~ 120.00Hz	60.00Hz	
08-15	P.183	Deceleration step length with stable pressure	0 ~ 10.00Hz	0.50Hz	147
08-18	P.223	Analog feedback bias pressure	0 ~ 100.0%	0.0%	148
08-19	P.224	Analog feedback gain pressure	0 ~ 100.0%	100.0%	148



### 5.9.1 PID function selection

- ◆ Process control such as flow rate, air volume or pressure are possible on the inverter. A feedback system can be configured and PID control can be performed using the digital input signal or parameter setting value as the set point, and the digital input signal as the feedback value.

Parameter	Name	Factory Value	Setting Range	Content
08-00 P.170	PID function selection	0	0	PID function non-selected
			2	Parameter 08-03(P.225) sets target value, take the input of terminal 2-5 as target source
08-01 P.171	PID feedback control method	0	0	Negative feedback control.
			1	Positive feedback control.

 PID function selection

- ◆ During the operation of PID control, the frequency displayed on the screen is the output frequency of the inverter.
- ◆ For input signal filtering of terminal 3-5, please refer to the instructions for 02-10.

## 5.9.2 PID parameter group

- ◆ Auto-adjusting of process control can be easily performed by user via setting PID parameter.

Parameter	Name	Factory Value	Setting Range	Content	
08-03 P.225	PID target value panel reference	20%	0~100%	The target value is set by 08-03(P.225) when the value of 08-00(p.170) is set to 2.	
08-04 P.172	Proportion gain	20	1~100	This gain determines the proportion controller's impact on feedback deviation. The greater the gain, the faster the impact. Yet a gain that is too big will cause vibration.	
08-05 P.173	Integral time	1.0s	0 ~ 100.0s	This parameter is use to set integral controller's integral time. When the integral gain is too big, the integral effect will be too weak to eliminate steady deviation. When the integral gain is too small, the system vibration frequency will increase, and therefore the system may be unstable.	
08-06 P.174	Differential time	0ms	0 ~ 10000ms	This gain determines deviation controller's impact on the amount of change of the deviation. Appropriate deviation time can reduce the overshooting between the proportion controller and the integral controller. Yet when the deviation time is too large, system vibration may be induced.	
08-07 P.175	Abnormal deviation	0.0%	0 ~ 100.0%	---	
08-08 P.176	Exception duration time	30.0s	0 ~ 600.0s	---	
08-09 P.177	Exception handling mode	0	0	Free stop	
			1	Decelerate and stop	
			2	Continue to run when the alarm goes off	
08-10 P.178	Sleep detects deviation	0.0%	0 ~ 100.0%	---	
08-11 P.179	Sleep detects duration time	1.0s	0 ~ 255.0s	---	
08-12 P.180	Revival level	90.0%	0 ~ 100.0%	---	
08-13 P.181	Outage level	40.00Hz	0 ~ 120.00Hz	---	
08-14 P.182	Integral upper limit	50.00Hz	0 ~ 120.00Hz	50.00Hz system	When the deviation value accumulated with the integral time, an upper limit for deviation accumulation should be set. For example, the upper integral limit of frequency is equal to 01-03 * 08-14.
		60.00Hz		60.00Hz system	
08-15 P.183	Deceleration step length with stable pressure	0.50Hz	0 ~ 10.00Hz	When the feedback pressure satisfies the deviation value for stopping the machine and the set time (in seconds) for stopping the machine for detection is reached, the inverter will take the 08-15 (P.183) step to reduce the frequency.	

Parameter	Name	Factory Value	Setting Range	Content
08-18 P.223	Analog feedback bias pressure	0.0%	0 ~ 100.0%	Revising the feedback signal to unify the signal range of inverter's feedback terminal and actual feedback, so that the inverter display in accordance with the feedback meter.
08-19 P.224	Analog feedback gain pressure	100.0%	0 ~ 100.0%	

### Setting PID parameter group 1

◆ The revising instruction of the analog feedback bias pressure and gain pressure:

1. The system default value can be used to revise without connecting with feedback signal, the default value is as follows:

The feedback of terminal 3-5	
Revising current	Revising proportion
4mA	08-18
20mA	08-19

Note: 1.The range of default setting is 0.1~5V. If there is a mismatch between the default setting range and the user's range, 08-18 and 08-19 can be set and 08-00 must be set at last to unify the range.

2. If use 3-5 terminal as purpose source or feedback source, please must set 02-20 before, and use AVI-ACI switch, choose voltage/current as the terminal 3-5 input signal.

Example 1: When the 0~7V feedback signal is given by terminal 3-5:

- 1) When 08-01=0 (negative feedback control), $08-18 = 0.1 / 7 * 100.0 = 1.4$   
 $08-19 = 5 / 7 * 100.0 = 71.4$
- 2) When 08-01=1 (positive feedback control), $08-18 = (7 - 0.1) / 7 * 100.0 = 98.6$   
 $08-19 = (7 - 5) / 7 * 100.0 = 28.6$

By setting 08-18 and 08-19 as the above calculated value, and then setting 08-00 at 1, 02-00 at 4 (terminal 2-5) or 08-00 at 3, 02-02 at 4 (terminal 3-5), the revised range is 0~7V.

Example 2: When the 0~20mA feedback signal is given by terminal 4-5:

- 1) When 08-01=0 (negative feedback control), $08-18 = 4 / 20 * 100.0 = 20.0$   
 $08-19 = 20 / 20 * 100.0 = 100.0$
- 2) When 08-01=1 (positive feedback control),  $08-18 = (20 - 4) / 20 * 100.0 = 80.0$   
 $08-19 = (20 - 20) / 20 * 100.0 = 0$

By setting 08-18 and 08-19 as the above calculated value, and then setting 08-00 at 2, 02-01 at 4 the revised range is 0~20mA.

2. When the feedback signal need to be revised by the user:

Please adjust the feedback signal to a certain value and then calculate the proportion of the value to the feedback range, then write the proportion value into 08-18.;

After that, adjust the feedback signal to a new value and then calculate the proportion of the value to the feedback range, then write the proportion value into 08-19.

Example1: When the user's feedback range is 0~10kg,

When the feedback signal is adjusted to 4kg,  $08-18 = (4 / 10) * 100.0 = 40$ ,

When the feedback signal is adjusted to 6kg,  $08-19 = (6 / 10) * 100.0 = 60$ .

Note: The actual feedback signal must be connected and the value of 08-00 must be set before revising like this.

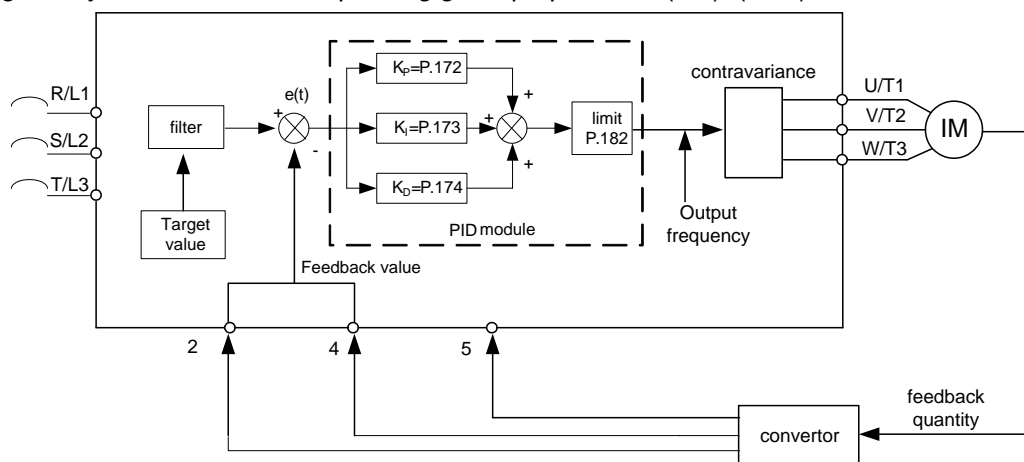
◆ The instruction for the target pressure given by external analog terminal:

1. When the target value is set by terminal 2-5 (02-00 = 3)  
 When 02-08 = 0, the given range is 0~5V corresponding to 0~100%;  
 When 02-08 = 1, the given range is 0~10V corresponding to 0~100%.
2. When the target value is set by terminal 4-5 (02-01 = 3)  
 The given range is 4~20mA corresponding to 0~100%.

Example: Set 08-00 = 1, 08-01 = 0.

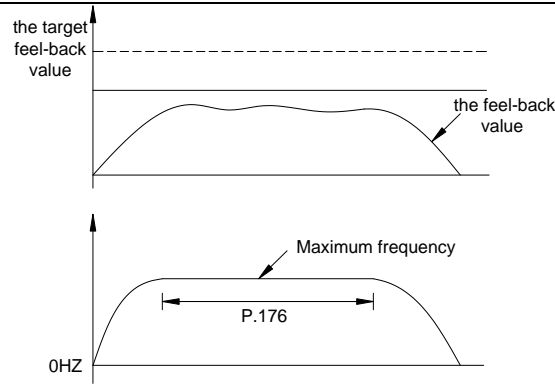
It indicates that the PID target value is given by the current of terminal 4-5 (4~20mA).

If 8 mA is given by the user, the corresponding given proportion is  $(8-4) / (20-4) * 100.0 = 25.0$



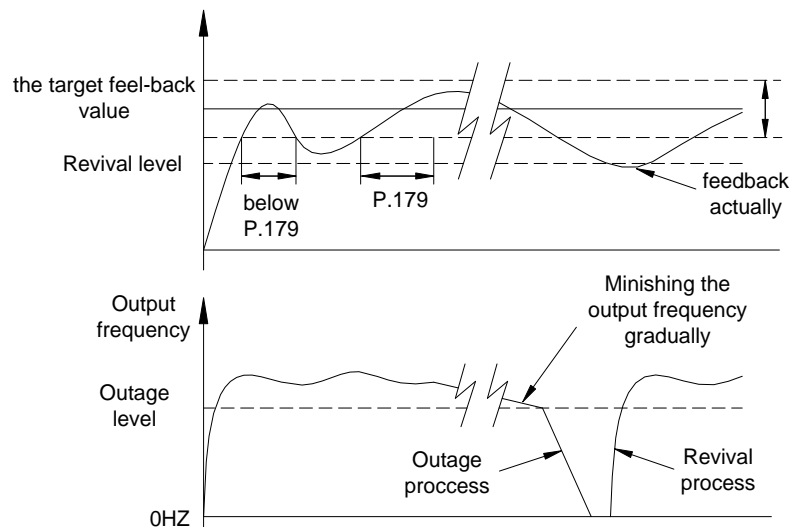
- ◆ When the output frequency reaches the value of  $01-03 * 08-14$ , the feedback value will be less than the product of the target value multiplying 08-07. In addition, when the duration lasts more than the set value of 08-08, PID will be considered as abnormal and handled according to the set value of 08-09.

For example, when  $08-07=60\%$ ,  $08-08=30s$ ,  $08-09=0$ ,  $01-03=50Hz$  and  $08-14= 100\%$ , the output frequency reaches 50Hz, and the feedback value is lower than 60% of the target feedback value for 30 seconds continuously, alarm will be display and the inverter will be stopped freely.



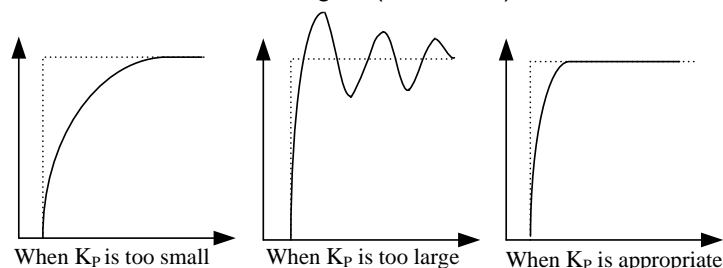
- ◆ If 08-10 is set to 0, then the set values of 08-11, 08-12, 08-13 and 08-15 are invalid. If the setting value of 08-10 is nonzero, then PID's sleep function will be activated. When the absolute value of the deviation between the feedback value and the target feedback value is less than the sleep detected deviation value for the duration of 08-11's sleep detection time, the inverter will steadily reduce the output frequency. Once the output frequency of the inverter is less than the machine stop level of 08-13, the inverter will decelerate and stop. When the feedback value is lower than the wake-up level, the output frequency of the inverter will again be controlled by PID.

For example, if 08-10=5%, 08-11=1.0s, 08-12=90%, 08-13=40Hz, and 08-15=0.5Hz, and when the feedback value is at a stable zone, i.e., larger than 95% of the target feedback value but less than 105% of the target feedback value, the inverter at the stable zone will reduce the output frequency by 0.5Hz/second. When the output frequency of the inverter is less than 40Hz, the inverter will directly decelerate and stop. When the feedback value lower than 90% of the target feedback value, the inverter will wake up and the output frequency will again be controlled by PID.

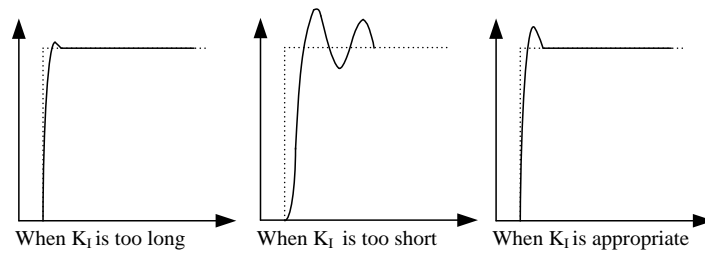


- ◆ PID gain simple setting:

1. After changing target, response is slow ---Increase P-gain ( $K_P = 08-04$ )  
 response is quick but unstable ---Decrease P-gain ( $K_P = 08-04$ )



2. Target and feedback do not become equal  
become equal after unstable vibration
- Decrease Integration time ( $K_I = 08-05$ )  
---Increase Integration time ( $K_I = 08-05$ )



- ◆ Even after increasing  $K_P$ , response is still slow  
It is still unstable
- Increase D-gain ( $K_D = 08-06$ )  
---Decrease D-gain ( $K_D = 08-06$ )

Note: 1. When 08-09=2, the panel has no alarm display but the multi-function output terminal has alarm detection. To turn off the alarm, reset 00-02 or turn down the power.

## 5.10 Application parameter group 10

Group	Parameter Number	Name	Setting Range	Factory Value	Page
10-00	P.10	DC injection brake operation frequency	0 ~ 120.00Hz	3.00Hz	155
10-01	P.11	DC injection brake operation time	0 ~ 60.0s	0.5s	155
10-02	P.12	DC injection brake operation voltage	0 ~ 30.0%: 7.5K and types below	4.0%	155
			0 ~ 30.0%: 11K ~ 55K types	2.0%	
			0 ~ 30.0%: 75K and types above	1.0%	
10-03	P.151	Zero-speed control function selection	0: There is no output at zero-speed.	0	156
			1: T DC voltage breaking		
10-04	P.152	Voltage at zero-speed control	0 ~ 30.0%	5.0%	156
10-05	P.242	DC injection brake function before start	0: DC injection brake function is not available before starting.	0	156
			1: DC brake injection function is selected before starting.		
10-06	P.243	DC injection brake time before start	0 ~ 60.0s	0.5s	156
10-07	P.244	DC injection brake voltage before start	0 ~ 30.0%: 7.5K(included) and types below	4.0%	156
			0 ~ 30.0%: 11K ~ 55K types		
			0 ~ 30.0%: 75K (included) and types above.		
10-08	P.150	Restart mode selection	XX0: No frequency search.	0	157
			XX1: Keep		
			XX2: Decrease voltage mode		
			X0X: Power on once.		
			X1X: Start each time.		
X2X: Only instantaneous stop and restart					
10-09	P.57	Restart coasting time	0 ~ 30.0s	99999	157
			99999: No restart function.		
10-10	P.58	Restart cushion time	0 ~ 60.0s: 7.5K(included)and types below.	10.0s	157
			0 ~ 60.0s: 11K ~ 55K types		
			0 ~ 60.0s: 75K(included)and types above.		

Application parameter group

Group	Parameter Number	Name	Setting Range	Factory Value	Page
10-11	P.61	Remote setting function	0: No remote setting function.	0	158
			1: Remote setting function, frequency setup storage is available.		
			2: Remote setting function, frequency setup storage is not available.		
			3: Remote setting function, frequency setup storage is not available, the remote setting frequency is cleared by STF/STR "turn off".		
10-12	P.65	Retry selection	0: Retry is invalid.	0	161
			1: Over-voltage occurs, the inverter will perform the retry function.		
			2: Over-current occurs, the inverter will perform the retry function.		
			3: Over-voltage or over-current occurs, the inverter will perform the retry function.		
			4: All the alarms have the retry function.		
10-13	P.67	Number of retries at alarm occurrence	0: Retry is invalid.	0	161
			1 ~ 10: The setting value of 10-13(P.67) is exceeded, the inverter will not perform the retry function.		
10-14	P.68	Retry waiting time	0 ~ 360.0s	6.0s	161
10-15	P.69	Retry accumulation time at alarm	Read	0	161
10-16	P.119	The dead time of positive and reverse rotation	0 ~ 3000.0s	0.0s	162
10-17	P.159	Energy-saving control function	0: Normal running mode.	0	162
			1: Energy-saving running mode.		
10-18	P.229	Dwell function selection	0: None.	0	163
			1: Backlash compensation function.		
			2: Acceleration and deceleration interrupt waiting function.		
10-19	P.230	Dwell frequency at acceleration	0 ~ 650.00Hz	1.00Hz	163
10-20	P.231	Dwell time at acceleration	0 ~ 360.0s	0.5s	163
10-21	P.232	Dwell frequency at deceleration	0 ~ 650.00Hz	1.0Hz	163
10-22	P.233	Dwell time at deceleration	0 ~ 360.0s	0.5s	163
10-23	P.234	Triangular wave function selection	0: None.	0	165
			1: External TRI is turned on, triangular wave function will be valid.		
			2: The triangular wave function is effective at any given time.		
10-24	P.235	Maximum amplitude	0 ~ 25.0%	10.0%	165



Group	Parameter Number	Name	Setting Range	Factory Value	Page
10-25	P.236	Amplitude compensation for deceleration	0 ~ 50.0%	10.0%	165
10-26	P.237	Amplitude compensation for acceleration	0 ~ 50.0%	10.0%	165
10-27	P.238	Amplitude acceleration time	0 ~ 360.00s/0 ~ 3600.0s	10.00s	165
10-28	P.239	Amplitude deceleration time	0 ~ 360.00s/0 ~ 3600.0s	10.00s	165
10-55	P.266	Reciprocating mechanical function	0 : Reciprocating mechanical function is invalid	0	166
			1 : Reciprocating mechanical function effectively		
10-56	P.227	Forward limit of time	0~3600.0s	0.0s	166
10-57	P.228	Reverse time limited	0~3600.0s	0.0s	166

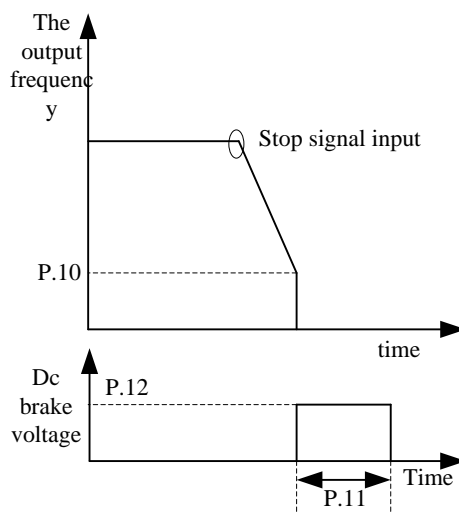
### 5.10.1 DC injection brake

- ◆ Timing to stop or braking torque can be adjusted by applying DC voltage to the motor to prevent the motor shaft to turn at the time of stopping motor.

Parameter	Name	Factory Value	Setting Range	Content
10-00 P.10	DC injection brake operation frequency	3.00Hz	0 ~ 120.00Hz	---
10-01 P.11	DC injection brake operation time	0.5s	0 ~ 60.0s	---
10-02 P.12	DC injection brake operation voltage	4.0%	0 ~ 30.0%	---

**Setting** DC injection brake

- ◆ After a stop signal is put in (please refer to Chapter 4 for the primary operation of motor activation and stop), the output frequency of the inverter will decrease gradually. In case the output frequency reaches the “DC injection brake operation frequency (10-00),” the DC injection brake will be activated.
- ◆ During DC injection brake, a DC voltage will be injected into the motor windings by the inverter, which is used to lock the motor rotor. This voltage is called “DC injection brake operation voltage (10-02)”. The larger the 10-02 is, the higher the DC brake voltage is, and the stronger the brake capability is.
- ◆ The DC brake operation will last a period (the set value of 10-01) to overcome the motor inertia.
- ◆ See the figure below:



Note: 1. To achieve the optimum control characteristics, 10-01 and 10-02 should be set properly.  
 2. If any of 10-00, 10-01 and 10-02 is set to 0, DC injection brake will not operate, i.e., the motor will coast to stop.

### 5.10.2 Zero-speed/zero-servo control

#### ◆ Zero-speed/ zero-servo function selection

Parameter	Name	Factory Value	Setting Range	Content
10-03 P.151	Zero-speed control function selection	0	0	There is no output at zero-speed.
			1	T DC voltage breaking
10-04 P.152	Voltage at zero-speed control	5.0%	0 ~ 30.0%	

Setting Zero-speed control

#### ◆ Make sure that 01-11 (start frequency) is set to zero when using this function.

Note: 1. Suppose that 10-04 = 6%, and then the output voltage of zero speed is 6% of base frequency voltage 01-04.  
2. This function is valid only in V/F mode .The setting of motor control mode can be referred to parameter 00-21(P.300).

### 5.10.3 DC injection brake before start

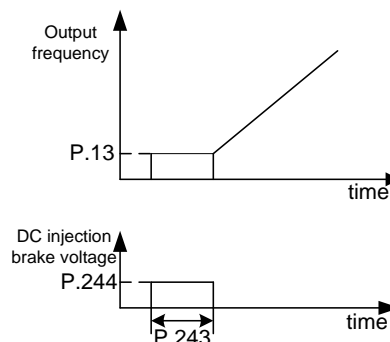
#### ◆ The motor may be in the rotation status due to external force or itself inertia. If the drive is used with the motor at this moment, it may cause motor damage or drive protection due to over current.

Parameter	Name	Factory Value	Setting Range	Content
10-05 P.242	DC injection brake function before start	0	0	DC injection brake function is not available before starting.
			1	DC brake injection function is selected before starting.
10-06 P.243	DC injection brake time before start	0.5s	0 ~ 60.0s	---
10-07 P.244	DC injection brake voltage before start	4.0%	0 ~ 30.0%	----

Setting DC injection brake before start

#### ◆ If 10-05=0, DC injection brake function is not available before starting. If 10-05=1, DC brake injection function is selected before starting. When the output frequency reaches the starting frequency 01-11, a DC voltage (the set value of 10-07) will be injected into the motor windings by the inverter, which is used to lock the motor rotor. The DC brake operation will last a period (the set value of 10-06) before the motor starts.

See the figure below:



Note: This function is only valid under the V/F mode; i.e., it is effective when 00-21=0.

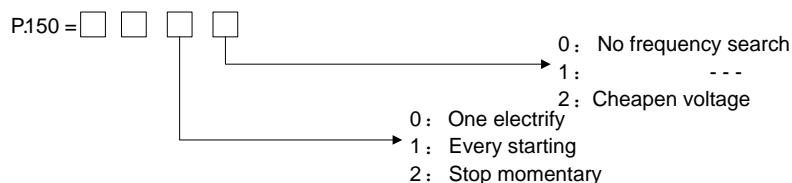
### 5.10.4 Restart mode selection

- ◆ Select the best start mode according to the different load.

Parameter	Name	Factory Value	Setting Range	Content
10-08 P.150	Restart mode selection	0	xx0	No frequency search.
			xx1	Keep
			xx2	Decrease voltage mode
			x0x	Power on once.
			x1x	Start each time.
			x2x	Only instantaneous stop and restart
10-09 P.57	Restart coasting time	99999	0 ~ 30.0s	---
			99999	No restart function.
10-09 P.58	Restart the rise time	10.0s	0 ~ 60.0s	

#### Setting Restart mode selection

- ◆ There are four digits in 10-08, and the meaning of every digit is as follows:

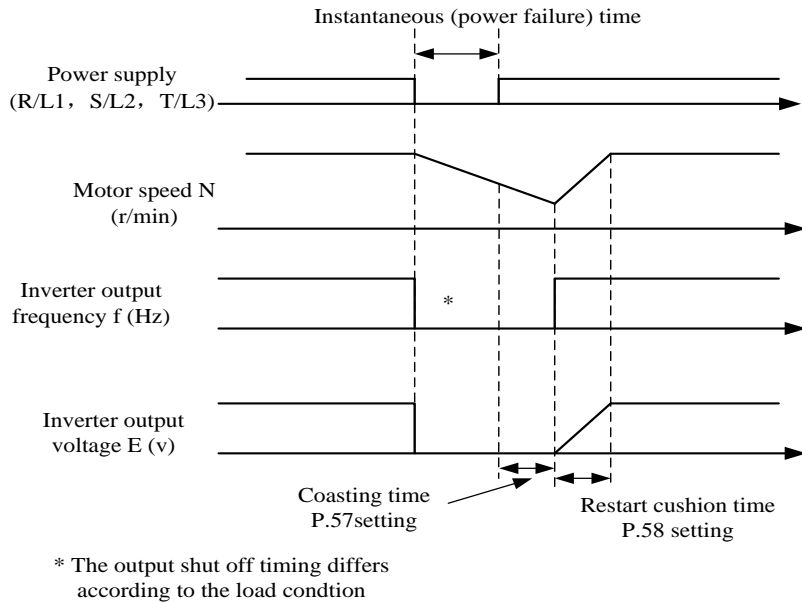


P.78=1, 2 No direction of rotation

- Note:
1. When one needs an instant restart function, 10-08 must be set.
  2. When 10-08 is nonzero, linear acceleration / deceleration curve is the default.
  3. The direction detection position of 10-08 is only valid for direct frequency search.
  4. This function is only valid under the V/F mode; i.e., it is effective when 00-21=0.

#### Setting Restart

- ◆ Once the driving power is interrupted while the motor is still running, voltage output will be stopped instantly. When the power is recovered and 10-09=99999, the inverter will not restart automatically. When 10-09=0.1~30, the motor will coast for a while (the set value of 10-09) before the inverter restarts the motor automatically.
- ◆ Once the motor is restarted automatically, the output frequency of the inverter will be the target frequency, but the output voltage will be zero. Then the voltage will be increased gradually to the expected voltage value. The period for voltage increase is called "Restart cushion time (10-10)".



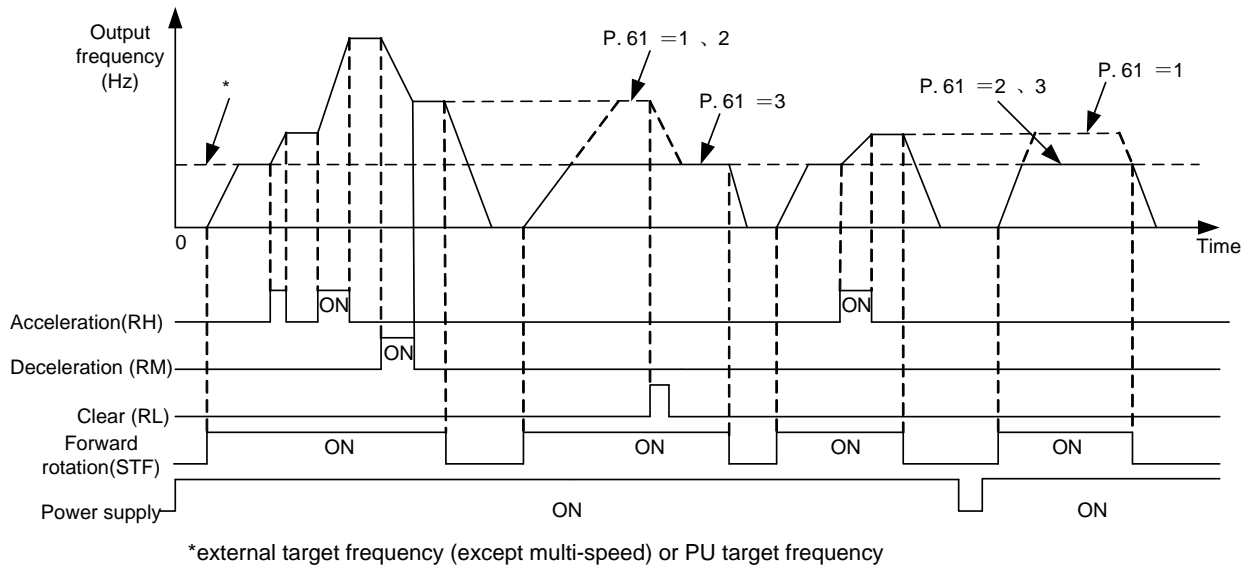
### 5.10.5 Remote setting function selection

- ◆ If the operation box is located away from the control box, one can use contact signals to perform variable-speed operation without using analog signals

Parameter	Name	Factory Value	Setting Range	Content
10-11 P.61	Remote setting function selection	0	0	No remote setting function.
			1	Remote setting function, frequency setup storage is available.
			2	Remote setting function, frequency setup storage is not available.
			3	Remote setting function, frequency setup storage is not available, the remote setting frequency is cleared by STF/STR "turn off".

**Setting** Remote setting functio

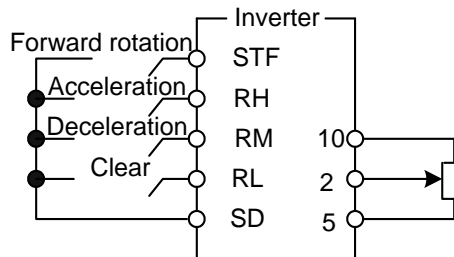
- ◆ If the operation box is located away from the control box, one can use contact signals to perform variable-speed operation without using analog signals under the external mode, combined mode 1 and combined mode 5.



◆ Remote setting function

- Whether the remote setting function is valid and whether the frequency setting storage function in the remote setting mode is used or not are determined by 10-11.

Set 10-11=1~3 (valid remote setting function), the function of terminal RM, RH and RL will be changed to acceleration (RH), deceleration (RM) and clear (RH). See the following figure:



- In the remote setting, the output frequency of the inverter is: (frequency setting by RH/RM operation + external setting frequency other than multi-speeds/PU setting frequency)

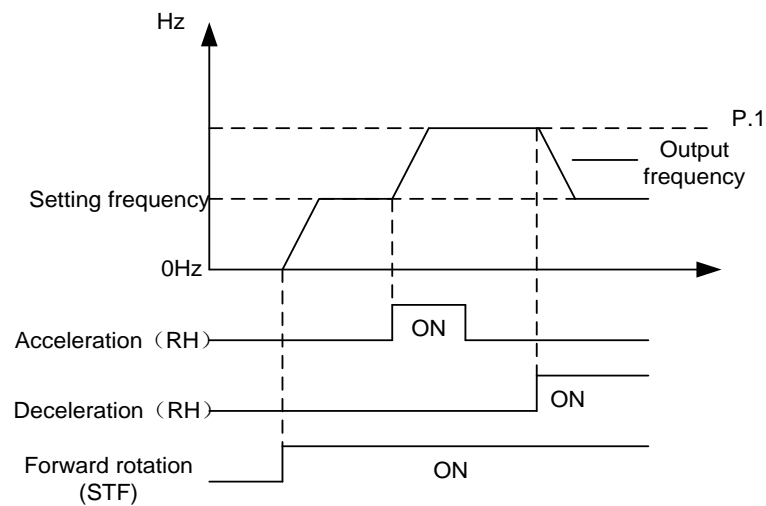
◆ Frequency setting storage condition

The frequency setting storage function is to store the remote-set frequency (frequency set by RH/RM operation) in memory (EEPROM). Once the power supply is cut off and turned on again, the inverter can start running again at the remote-set frequency (10-11=1).

<Frequency setting storage condition>

- It is the frequency when the start signal (STF/STR) is "off".
- When the signal RH (acceleration) and RM (deceleration) are both "off" and "on", the remote-set frequency is stored every minute. (Current frequency set value and the last frequency set value are compared ever minute. If they are different, then the current frequency set value is written in the memory. If RL is on, write-in will be unavailable).

Note: 1. The frequency can be varied by RH (acceleration) and RM (deceleration) between 0 and (the maximum frequency – frequency set by the main speed). The output frequency is limited by 01-00.



2. When the acceleration or deceleration signal is “on”, the acceleration / deceleration time will be determined by the set value of 01-06 (the first acceleration time) and 01-07 (the first deceleration time).
3. When RT signal is “on” and 01-22≠99999 (the second acceleration time), 01-23≠99999 (the second deceleration time), the acceleration / deceleration time will be determined by the set value of 01-22 and 01-23.
4. When the start signal (STF/STR) is “off” and RH (acceleration) / RM (deceleration) is “on”, the target frequency will also change.
5. When the start signal (STF/STR) becomes “off”, make the frequency setting storage function invalid (10-11=2, 3) if the frequency has to be changed continuously through RH/RM. If the frequency setting storage function is valid (10-11=1), the life of EEPROM will be shortened by frequent EEPROM data writing.
6. RH, RM and RL mentioned in this chapter are function names of “multi-function digital input terminal”. If the functions of the terminals are changed, other functions are likely to be affected. Please verify the functions of the terminals before changing the options and functions of the multi-function digital input terminal (please refer to 03-00~03-05, 03-06 and 03-09). For wiring, please refer to Section 3.5.

## 5.10.6 Retry selection

- ◆ This function allows the inverter to reset itself and restart at fault indication. The retry generating protective functions can be also selected.

Parameter	Name	Factory Value	Setting Range	Content
10-12 P.65	Retry selection	0	0	Retry is invalid.
			1	Over-voltage occurs, the inverter will perform the retry function.
			2	Over-current occurs, the inverter will perform the retry function.
			3	Over-voltage or over-current occurs, the inverter will perform the retry function.
			4	All the alarms have the retry function.
10-13 P.67	Number of retries at alarm occurrence	0	0	Retry is invalid.
			1 ~ 10	The setting value of 10-13(P.67) is exceeded, the inverter will not perform the retry function.
10-14 P.68	Retry waiting time	6.0s	0 ~ 360.0s	---
10-15 P.69	Retry accumulation time at alarm	0	Read	---

#### Setting Retry selection

- ◆ When an alarm goes off, a "retry" will take place to restore the previous setting.
- ◆ Inverter's retry is performed conditionally. When the alarm goes off and the inverter has an automatic retry, the re-occurrence of alarm going off before a set time is called a "continuous alarm". If continuous alarms happen for more than a set time, there is a significant malfunction. In this case, manual trouble shooting is necessary. The inverter at this point will perform no more the retry function. The number of Pre-defined occurrence is called "number of retries at abnormality (10-13)".
- ◆ If none of the alarm belongs to "continuous alarms", the inverter will perform retry for unlimited times.
- ◆ The period from the moment of alarm to that of retry is defined as "retry waiting time".
- ◆ For each time a retry happens, the value of 10-15 will be increased by one automatically. Therefore, the number of 10-15 read from the memory indicates the number of retries that have occurred.
- ◆ If 10-15 is rewritten with 0, the number of retry executed is cleared.

Note: The inverter will perform retry only after the retry waiting time of 10-14. Therefore when using this function, please be aware of the possible danger when operating the inverter.



### 5.10.7 The dead time of positive and reverse rotation

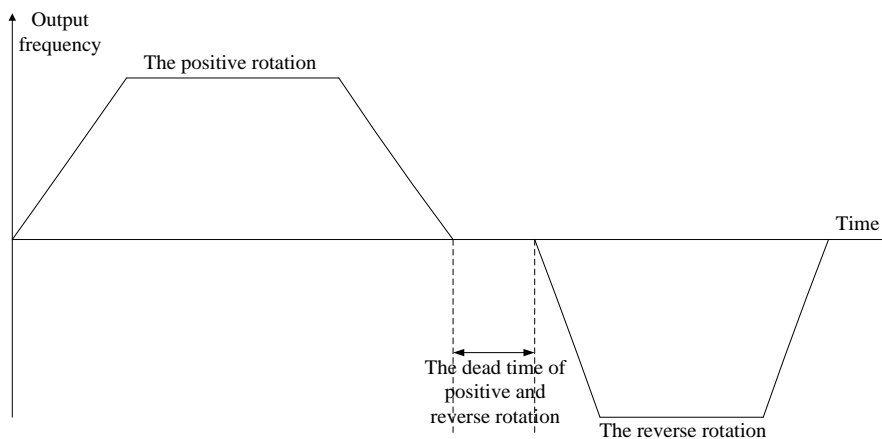
- ◆ Set the waiting or holding time after the output frequency outputs to 0Hz when the positive and reverse rotation is switching.

Parameter	Name	Factory Value	Setting Range	Content
10-16 P.119	The dead time of positive and reverse rotation	0.0s	0	Without the function.
			0.1~3000.0s	The waiting or holding time after the output frequency decreases to 0 when the positive and reverse rotation is switching.

#### Setting The dead time of positive and reverse rotation

- ◆ When the inverter is running and receive the reverse rotation reference, the output frequency will decrease to 0 in the process of switching from the current rotation direction to the opposite rotation direction. The dead time of positive and reverse rotation is the waiting or holding time after the output frequency decreases to 0.

The diagram is as follows:



### 5.10.8 Energy-saving control function **V/F**

- ◆ Under the energy-saving running mode, the inverter will control the output voltage automatically in order to reduce the output power losses to the minimum when the inverter is run at a constant speed.

Parameter	Name	Factory Value	Setting Range	Content
10-17 P.159	Energy-saving control function	0	0	Normal running mode.
			1	Energy-saving running mode.

## Application parameter group

### Setting Energy-saving mode

- ◆ Under the energy-saving running mode, the inverter will control the output voltage automatically in order to reduce the output power losses to the minimum when the inverter is run at a constant speed.

Note: 1. This function is valid only in the V/F mode(00-21="0").

2. After selecting the energy-saving running mode, the deceleration time may be longer than the setting value. In addition, the properties of the regular torque load will produce abnormal voltage more easily. Please slightly prolong the deceleration time.
3. For big load purposes or machines with frequent acceleration/deceleration, the energy-saving effect may be poor.

### 5.10.9 Dwell function V/F

- ◆ The backlash measures that stop acceleration/deceleration by the frequency or time set with parameters at acceleration/deceleration can be set.

Parameter	Name	Factory Value	Setting Range	Content
10-18 P.229	Dwell function selection	0	0	None.
			1	Backlash compensation function.
			2	Acceleration and deceleration interrupt waiting function.
10-19 P.230	Dwellfrequency at acceleration	1.00Hz	0 ~ 650.00Hz	Set the stopping frequency and time of Dwell function.
10-20 P.231	Dwelltime at acceleration	0.5s	0 ~ 360.0s	
10-21 P.232	Dwellfrequency at deceleration	1.00Hz	0 ~ 650.00Hz	Set the stopping frequency and time of Dwell function.
10-22 P.233	Dwelltime at deceleration	0.5s	0 ~ 360.0s	

### Setting Dwell function

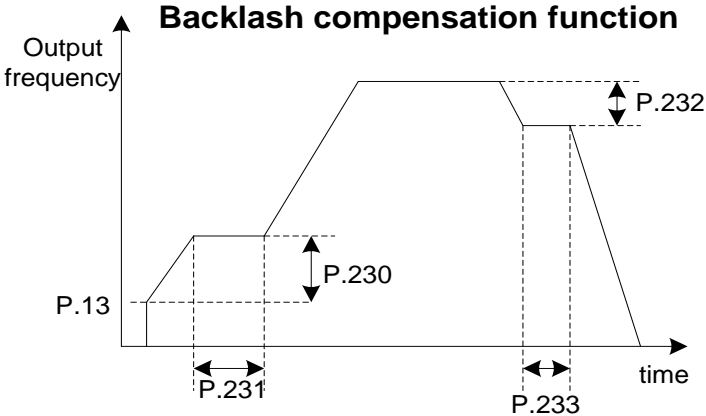
- ◆ Backlash compensation(10-18="1")

Reduction gears have an engagement gap and a dead zone between forward and reverse rotation. This dead zone is called backlash, and the gap disables a mechanical system from following motor rotation.

More specifically, a motor shaft develops excessive torque when the direction of rotation changes or when constant-speed operation shifts to deceleration, resulting in a sudden motor current increase or regenerative status.

To avoid backlash, acceleration/deceleration is temporarily stopped. Set the acceleration/deceleration stopping frequency and time in 10-18 ~ 10-22.

Shown as the figure below:

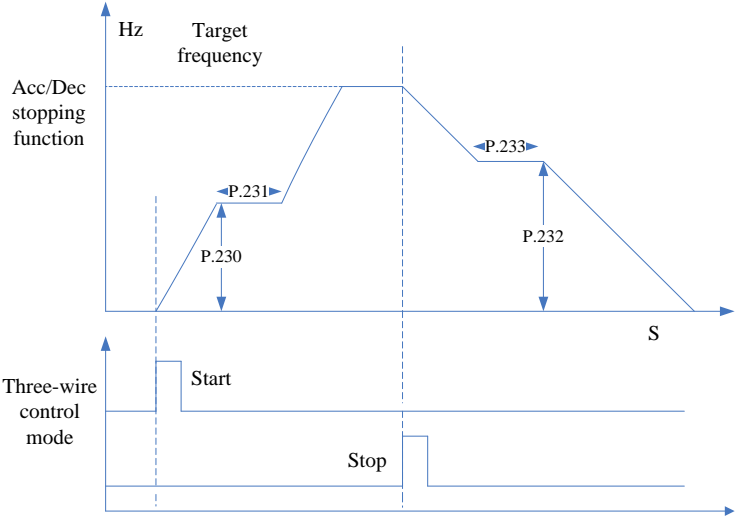


Note: The setting of the backlash compensation will only prolong the acceleration/deceleration time during the period of interruption.

◆ Acceleration and deceleration interrupt waiting function(10-18="2")

When 10-18=2, start acceleration and deceleration interrupt waiting function. When accelerating to the frequency set by 10-19, wait for the time set by 10-20 and then accelerate to the target. When decelerating to the frequency set by 10-21, wait for the time set by 10-22, and then decelerate to the target.

Shown as the figure below:



Note: The setting of the back lash compensation will only prolong the acceleration/deceleration time during the period of interruption.

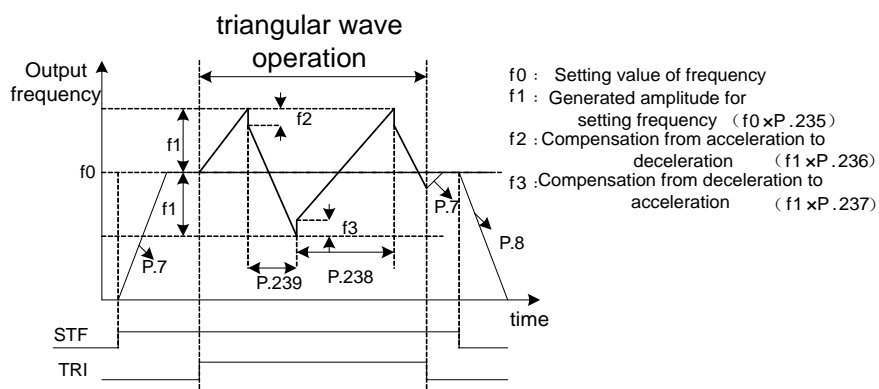
### 5.10.10 Triangular wave function **V/F**

- ◆ The triangular wave operation, which oscillates the frequency at a constant cycle, is available.

Parameter	Name	Factory Value	Setting Range	Content
10-23 P.234	Triangular wave function selection	0	0	0: None.
			1	External trlis turned on,triangular wave function will be valid.
			2	The triangular wave function is effective at any given time.
10-24 P.235	Maximum amplitude	10.0%	0 ~ 25.0%	---
10-25 P.236	Amplitude compensation for deceleration	10.0%	0 ~ 50.0%	---
10-26 P.237	Amplitude compensation for acceleration	10.0%	0 ~ 50.0%	---
10-27 P.238	Amplitude acceleration time	10.00s	0 ~ 360.00s/ 0 ~ 3600.0s	When 01-08=0, the unit of 10-27(P.238) and 10-28(P.239) is 0.01s.
10-28 P.239	Amplitude deceleration time	10.00s	0 ~ 360.00s/ 0 ~ 3600.0s	When 01-08=1, the unit of 10-27(P.238) and 10-28(P.239) is 0.1s.

**Setting** Triangular wave function

- ◆ If 10-23 “Triangular wave function selection” is “1” and triangular wave operation signal (TRI) is turned on, triangular wave function will be valid. Set any parameter in 03-00~03-06 and 03-09 “Input terminal selection function” to “36” and then assign the TRI signal for the external terminal.
- ◆ If 10-23 “triangular wave function selection” is equal to “2,” the triangular wave function is effective at any given time.



Note: 1. During the movement of the triangular wave, the output frequency is limited by the maximum and the minimum frequency.

2. If the amplitude compensation, i.e., 10-25 and 10-26, is too big, over-voltage will be tripped off and the stall prevention action will be executed automatically. Consequently, the setting method will not be carried out.

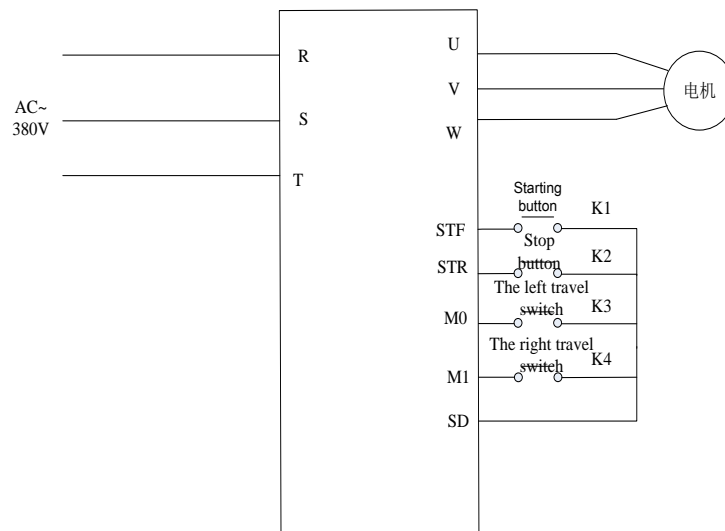
3. This function is only valid under the V/F mode; i.e., it is effective when 00-21=0.

## 5.10.11 Reciprocating engine function

- ◆ The inverter contains control function for switching between the commercial power supply operation and inverter operation. Therefore, interlock operation of the magnetic contactor for switching can be easily performed by simply inputting start, stop, and automatic switching selection signals.

Parameter	Name	Factory Value	Setting Range	Content
10-55 P.266	Reciprocating mechanical function	0	0	0 : Reciprocating mechanical function is invalid
			1	1 : Reciprocating mechanical function effectively
10-56 P.227	Forward limit of time	0.0s	0 ~ 3600.0s	When the inverter keeps running in FWD mode and its running time is longer than the setting value of 0.-56,the motor speed will decrease to zero and the inverter will be powered off. This function is invalid when the setting value is zero .
10-57 P.228	Reverse time limited	0.0s	0 ~ 3600.0s	When the inverter keeps running in FWD mode and its running time is longer than the setting value of 10-57,the motor speed will decrease to zero and the inverter will be powered off. This function is invalid when the setting value is zero .

Setting

 Reciprocating engine function


System wiring diagram

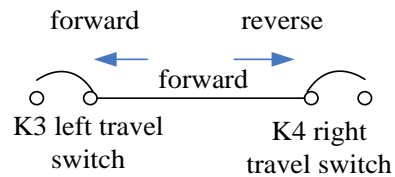
- ◆ Please connect the wire as the figure shown above. Place a travel switch between M1 and SD place impulse type switch between STF and SD and between STR and SD also.
- ◆ Power on the inverter and execute parameter P998. After finish set P226 to 1 and choose reciprocating machinery system. Set multi-functional terminator as its default value. if the target frequency was coming from external

## Application parameter group

---

terminals,M0,M1 terminal will influence the target frequency therefore P5 ,P6 should be set as the same value with target frequency.

- ◆ When K3 ( K4 ) is open,press K1 and rotate forward to K3,then rotate reverse to K4 and rotate forward again.Press K2 to shutdown the system.
- ◆ When K3 ( K4 ) is closed,press K1 and rotate forward (reverse) to K4(K3),close then rotate forward(reverse)again.Press K2 to shutdown the system.
- ◆ To prevent damage on travel switch,a time limitation for forward and reverse rotate was added in the system.Both travel switch are closed at the same time is prohibited.it will cause shutdown of the system.



Run the process diagram

## 5.11 Speed and torque control parameter group 11

Group	Parameter Number	Name	Setting Range	Factory Value	Page
11-00	P.320	Speed control proportion coefficient 1	0~200%	85%	171
11-01	P.321	Speed control integral time 1	0 ~ 32	20	171

### 5.11.1 Control parameter

- ◆ Speed loop PI parameters vary with running frequencies of the inverter.

Parameter	Name	Factory Value	Setting Range	Content
11-00 P.320	Speed control proportion coefficient 1	85%	0~200%	---

### 5.11.2 Torque compensation filter

- ◆ Setting torque compensation filter coefficients, the set value, the greater the filter.

Parameter	Name	Factory Value	Setting Range	Content
11-01 P.321	Torque compensation filter coefficients	20	0~32	---

## 5.12 Special adjustment parameter group13

Group	Parameter Number	Name	Setting Range	Factory Value	Page
13-00	P.89	Slip compensation coefficient	0 ~ 10	0	173
13-03	P.286	High frequency vibration inhibition factor	0 ~ 15	9	174



### 5.12.1 Slip compensation **V/F**

- ◆ This parameter can be used to set compensation frequency and reduce the slip to close the setting speed when the motor runs in the rated current to raise the speed control accuracy.

Parameter	Name	Factory Value	Setting Range	Content
13-00	Slip compensation coefficient	0	0 ~ 10	0: Slip compensation is forbidden.
P.89				10: The compensation value is 3% of the target frequency.


Note: 1. This function is only valid under the V/F mode (00-21="0").

2. During slip compensation, the output frequency may be larger than the setting frequency.

5.12.2 Vibration inhibition

- ◆ Inhibit the great vibration of inverter output current and motor rotation speed and the motor vibration.

Parameter	Name	Factory Value	Setting Range	Content
13-03 P.286	High frequency vibration inhibition factor	0	0 ~ 15	If motor vibration is generated at higher frequency, adjust the set value of 13-03. Gradually increase the set value by the unit of 1.

 Setting Vibration inhibition factor

- ◆ For the actual application, use the vibration-generating frequency that is lower or higher than half of the motor rated frequency to determine whether the occurred vibration is a low-frequency vibration or a high-frequency vibration. i.e:  
 If the rated frequency on the name plate of the motor is 50Hz,  
 And the vibration-generating frequency is lower than 25Hz, then this is a low-frequency vibration.  
 On the other hand, if the vibration-generating frequency is higher than 25Hz, then this is a high-frequency vibration.

Note: When the motor load is light, current flow may happen at certain specific operation frequency. This situation may cause the motor to vibrate slightly. The user can neglect it if this trivial vibration has no impact on the application.

## 5.13 User parameter Group 15

Group	Parameter Number	Name	Setting Range	Factory Value	Page
15-00	P.900	User registration parameter 1	P parameter model : 0 ~ 321 Parameter groups pattern : 00-00~13-03	99999	
15-01	P.901	User registration parameter 2		99999	
15-02	P.902	User registration parameter 3		99999	
15-03	P.903	User registration parameter 4		99999	
15-04	P.904	User registration parameter 5		99999	
15-05	P.905	User registration parameter 6		99999	
15-06	P.906	User registration parameter 7		99999	
15-07	P.907	User registration parameter 8		99999	
15-08	P.908	User registration parameter 9		99999	
15-09	P.909	User registration parameter 10		99999	
15-10	P.910	User registration parameter 11		99999	
15-11	P.911	User registration parameter 12		99999	
15-12	P.912	User registration parameter 13		99999	
15-13	P.913	User registration parameter 14		99999	
15-14	P.914	User registration parameter 15		99999	
15-15	P.915	User registration parameter 16		99999	
15-16	P.916	User registration parameter 17		99999	
15-17	P.917	User registration parameter 18		99999	
15-18	P.918	User registration parameter 19		99999	
15-19	P.919	User registration parameter 20		99999	

### 5.13.1 User registration parameters

◆ User parameter groups registered parameters of number which users do not need to be restored the factory values .

Parameter	Name	Factory Value	Setting Range	Content
15-00 P.900	User registration parameter 1	99999	P parameter model : 0 ~ 321 Parameter groups pattern : 00-00~13-03	---
15-01 P.901	User registration parameter 2	99999		---
15-02 P.902	User registration parameter 3	99999		---
15-03 P.903	User registration parameter 4	99999		---
15-04 P.904	User registration parameter 5	99999		---
15-05 P.905	User registration parameter 6	99999		---
15-06 P.906	User registration parameter 7	99999		---
15-07 P.907	User registration parameter 8	99999		---
15-08 P.908	User registration parameter 9	99999		---
15-09 P.909	User registration parameter 10	99999		---
15-10 P.910	User registration parameter 11	99999		---
15-11 P.911	User registration parameter 12	99999		---
15-12 P.912	User registration parameter 13	99999		---
15-13 P.913	User registration parameter 14	99999		---
15-14 P.914	User registration parameter 15	99999		---
15-15 P.915	User registration parameter 16	99999		---
15-16 P.916	User registration parameter 17	99999		---
15-17 P.917	User registration parameter 18	99999		---
15-18 P.918	User registration parameter 19	99999		---
15-19 P.919	User registration parameter 20	99999		---

**Setting** User registration parameters

- ◆ Parameters in the parameter group, when performing 00-02 = 5/6, will not be restored the factory values.
- ◆ This parameter values of parameters group are number of the user register, when performing 00-02 = 5/6, will not be restored the factory value.
- ◆ Restore the factory value, please refer to 5.1.2 management part of the value.

## 6. INSPECTION AND MAINTENANCE

### 6.1 Inspection item

#### 6.1.1 Daily inspection item

- ◆ The inverter is a unit mainly consisting of semiconductor devices. Daily inspection must be performed to prevent any fault from occurring due to the adverse effects of the operating environment, such as temperature, humidity, dust, dirt and vibration, changes in the parts with time, service life, and other factors.
  1. Check whether the surrounding conditions are normal (including temperature, humidity, dust density, etc.) at the place of the installation.
  2. Check whether the power supply voltage is normal (the voltage between R/L1, S/L2 and T/L3).
  3. Check whether the wiring is secured (whether the external wiring for the main-circuit board and the control-board terminal are secured).
  4. Check whether the cooling system is normal (whether there's any abnormal noise during the operation and whether the wiring is well secured).
  5. Check whether the indicator lamp is normal (whether the indicator lamp of the control board and of the parameter unit and the LED monitor of the parameter unit are normal).
  6. Check whether the operation is as expected.
  7. Check whether there is any abnormal vibration, noise or odor during the operation.
  8. Check whether there is any leakage from the filter capacitor.

**Notice**

Be careful in inspection!

#### 6.1.2 Periodical inspection items

- ◆ Check the areas inaccessible during operation and requiring periodic inspection.
  1. Check the connectors and wiring (whether the connectors and wiring between the main-circuit board and control board are secured and without damage).
  2. Check whether the components on the main-circuit board and the control board are overheated.
  3. Check whether the electrolytic capacitors on the main-circuit board and control board have leakage.
  4. Check the IGBT module on the main-circuit board.
  5. Clean the dust and foreign substance on the circuit board.
  6. Check the insulation resistor.
  7. Check whether the cooling system is normal (whether the wiring of fan is secured; clean the air filter, etc.)
  8. Check the screws and belts.
  9. Check the external wires and the terminal banks for damage.

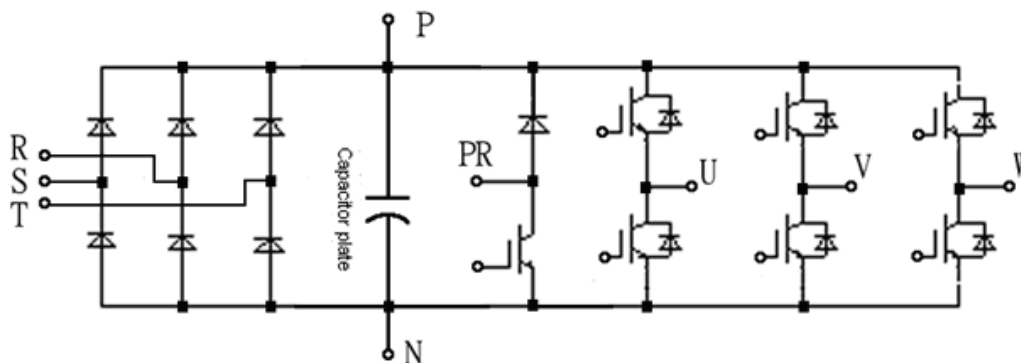
**Notice**

Be careful in inspection!

### 6.1.3 Checking the converter and inverter modules

- ◆ Before conducting test, first dismount the external wires from the main-circuit terminals(R/L1、 S/L2、 T/L3、 U/T1、 V/T2、 W/T3). Then set the multi-meter to the ohm-testing position.

	Positive voltage	Negative voltage	Normal result		Positive voltage	Negative voltage	Normal result
Terminal mark	R/L1	+/P	Conductive	Terminal mark	U/T1	+/P	Conductive
	S/L2	+/P	Conductive		V/T2	+/P	Conductive
	T/L3	+/P	Conductive		W/T3	+/P	Conductive
	+/P	R/L1	Non-conductive		+/P	U/T1	Non-conductive
	+/P	S/L2	Non-conductive		+/P	V/T2	Non-conductive
	+/P	T/L3	Non-conductive		+/P	W/T3	Non-conductive
	R/L1	-/N	Non-conductive		U/T1	-/N	Non-conductive
	S/L2	-/N	Non-conductive		V/T2	-/N	Non-conductive
	T/L3	-/N	Non-conductive		W/T3	-/N	Non-conductive
	-/N	R/L1	Conductive		-/N	U/T1	Conductive
	-/N	S/L2	Conductive		-/N	V/T2	Conductive
	-/N	T/L3	Conductive		-/N	W/T3	Conductive



Note: The diagram above takes Frame A as an example.

### 6.1.4 Cleaning

- ◆ Always run the inverter in a clean status.
- ◆ Use a soft brush to remove the dust and sundry on the fan blade, fan cover, and radiator, keeping the inverter in good heat dissipation.
- ◆ Gently wipe dirty areas of the cover with a soft cloth immersed in neutral detergent.

Note: 1. Do not use solvent, such as acetone, benzene, toluene and alcohol, as these will cause the inverter surface paint to peel off.  
 2. The display, etc. of the parameter unit (PU301, PU301C) are vulnerable to detergent and alcohol. Therefore, avoid using them for cleaning.

### 6.1.5 Replacement of parts

- The inverter consists of many electronic parts such as semiconductor devices.
- The following parts may deteriorate with age because of their structures or physical characteristics, leading to reduced performance or fault of the inverter. For preventive maintenance, the parts must be replaced periodically.
- Use the life check function as a guidance of parts replacement.

Part name	Estimated lifespan	Description
Cooling fan	2 years	For the axle of a fan, the standard lifetime is about 10 – 35 thousand hours. Assuming that the fan operates 24 hours per day, the fan should be replaced every 2 years.
Filter capacitor	5 years	The filter capacitor is an electrolytic capacitor that deteriorates with time. The deterioration speed is contingent on the ambient conditions. Generally, it should be replaced every 5 years.
Relay	---	If bad contact occurs, please replace it immediately.

Note: 1. Please send the inverters to the factory fore complement replacement.

2. For the replacement of cooling fan, please refer to Section 3.10.

## 6.2 Measurement of main circuit voltages, currents and powers

### 6.2.1 Selection of instruments for measurement

- ◆ Since the voltages and currents on the inverter input sides and output sides include harmonics, measurement data depends on the instruments used and circuits measured. When instruments for commercial frequency are used for measurement, measure the circuits with the following instruments.

	Voltage(V)	Current(A)	Power(kW)
Input side(R/L1, S/L2, T/L3)	Moving-iron type	Moving-iron type	Electrodynamic type
DC side(+P, -N)	Moving-coil type	---	---
Output side(U/T1, V/T2, W/T3)	Rectifier type	Moving-iron type	Electrodynamic type

Note: 1. Please pay attention to the instrument range and polarity;  
2. Look out for safety.

### 6.2.2 Measurement of voltages

#### ➤ Inverter input side

As the input side voltage has a sine wave and it is extremely small in distortion, accurate measurement can be made with an ordinary AC meter.

#### ➤ Inverter output side

Since the output side voltage has a PWM-controlled rectangular wave, always use a rectifier type voltmeter.

A needle type tester cannot be used to measure the output side voltage as it indicates a value much greater than the actual value.

A moving-iron type meter indicates an effective value which includes harmonics and therefore the value is larger than that of the fundamental wave.

The value monitored on the parameter unit is the inverter-controlled voltage itself. Hence, that value is inaccurate and it is recommended to monitor values (analog output) using the parameter unit.



### 6.2.3 Measurement of currents

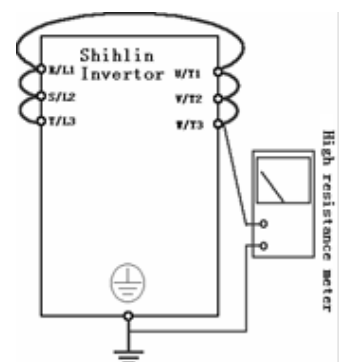
- Use moving-iron type meters on both the input and output sides of the inverter. However, if the carrier frequency exceeds 5kHz, do not use that meter since an overcurrent losses produced in the internal metal parts of the meter will increase and the meter may burn out. In this case, use an approximate-effective value type.
- Since current on the inverter input side tends to be unbalanced, measurement of three phases is recommended. Correct value cannot be obtained by measuring only one or two phases. On the other hand, the unbalanced ratio of each phase of the output side current should be within 10%.
- When a clamp ammeter is used, always use an effective value detection type. A mean value detection type produces a large error and may indicate an extremely smaller value than the actual value. The value monitored on the parameter unit is inaccurate if the output frequency varies, and it is recommended to monitor values (provide analog output) using the parameter unit.

### 6.2.4 Measurement of power

- Use digital power meters (for inverter) for the both of inverter input and output side. Alternatively, measure using electrodynamic type single-phase wattmeters for the both of inverter input and output side in two-wattmeter or three-wattmeter method. As the current is liable to be imbalanced especially in the input side, it is recommended to use the three-wattmeter method.

### 6.2.5 Measurement of insulation resistance

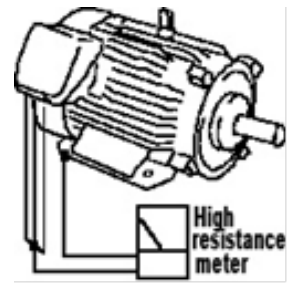
- Inverter insulation resistance
  1. Before measuring the inverter insulation resistance, first dismantle the "wiring of all the main-circuit terminals" and the "control board." Then execute the wiring as shown in the right picture.
  2. The measurement is only suitable for the main circuit. It is prohibited to use a high-resistance meter for measuring terminals on the control board.
  3. The value of the insulation resistance shall be greater than 5MΩ.



Notew: Please use a 500 VDC megger.

➤ Motor insulation resistance

1. Before the measurement, please dismount the motor, and execute the wiring as shown in the diagram on the right.
2. The value of the insulation resistance shall be greater than 5MΩ.



Notew: Please use a suitable megger.

### 6.2.6 Hi-pot test

- ◆ Do not conduct a hi-pot test. Deterioration may occur on the internal semiconductor components of the inverter.

## 7. APPENDIX

## 7.1 Appendix 1 Parameter table

Parameter Number	Group	Name	Setting Range	Factory Value	Page
P.0	01-10	Torque boost	0.4 ~ 0.75K types: 0 ~ 30.0%	6.0%	69
			1.5K ~ 3.7K types: 0 ~ 30.0%	4.0%	
			5.5K types: 0 ~ 30.0%	3.0%	
P.1	01-00	Maximum frequency	0.00 ~ 01-02(P.18)Hz	120HZ	65
P.2	01-01	Minimum frequency	0 ~ 120.00Hz	0.00Hz	65
P.3	01-03	Base frequency	50Hz system setting: 0 ~ 650.00Hz	50.00Hz	66
			60Hzsystem setting: 0 ~ 650.00Hz	60.00Hz	
P.4	04-00	Speed1(high speed)	0 ~ 650.00Hz	60.00Hz	102
P.5	04-01	Speed2(medium speed)	0 ~ 650.00Hz	30.00Hz	102
P.6	04-02	Speed3(low speed)	0 ~ 650.00Hz	10.00Hz	102
P.7	01-06	Acceleration time	3.7K and types below: 0 ~ 360.00s/0 ~ 3600.0s	5.00s	67
			5.5K and types above: 0 ~ 360.00s/0 ~ 3600.0s	10.00s	
P.8	01-07	Deceleration time	3.7K and types below: 0 ~ 360.00s/0 ~ 3600.0s	5.00s	67
			5.5K types: 0 ~ 360.00s/0 ~ 3600.0s	10.00s	
P.9	06-00	Electronic thermal relay capacity	0~500.00A	According to type	114
P.10	10-00	DC injection brake operation frequency	0 ~ 120.00Hz	3.00Hz	<a href="#">152</a>
P.11	10-01	DC injection brake operation time	0 ~ 60.0s	0.5s	<a href="#">152</a>
P.12	10-02	DC injection brake operation voltage	0 ~ 30.0%: 7.5K and types below	4.0%	<a href="#">152</a>
			0 ~ 30.0%: 11K ~ 55K types		
			0 ~ 30.0%: 75K and types above		
P.13	01-11	Starting frequency	0 ~ 60.00Hz	0.50Hz	69
P.14	01-12	Load pattern selection	0: Applicable to constant torque loads(convey belt, etc.)	0	70
			1: Applicable to variable torque loads (fans and pumps, etc.)		
			2, 3: Applicable to ascending / descending loads.		
			4: Multipoint VF curve.		
			5 ~ 13: Special two-point VF curve.		
P.15	01-13	JOG frequency	0 ~ 650.00Hz	5.00Hz	72
P.16	01-14	JOG acceleration/ decelerationtime	0 ~ 360.00s/0 ~ 3600.0s	0.50s	72

Appendix 1 Parameter table

Parameter Number	Group	Name	Setting Range	Factory Value	Page
P.17	02-20	4-5 signal selection	0: Effective range of signal sampling is 4~20mA.	1	81
			1: Effective range of signal sampling is 0 ~ 10V.		
			2: Effective range of signal sampling is 0 ~ 5V.		
P.18	01-02	High-speed maximum frequency	01-00(P.1) ~ 650.00Hz	120.00Hz	65
P.19	01-04	Base frequency voltage	0 ~ 1000.0V	99999	66
			99999: Change according to the input voltage		
P.20	01-09	Acceleration/deceleration reference frequency	50Hz system setting: 1.00 ~ 650.00Hz	50.00Hz	67
			60Hz system setting: 1.00 ~ 650.00Hz	60.00Hz	
P.21	01-08	Acceleration/deceleration time increments	0: Time increment is 0.01s	0	67
			1: Time increment is 0.1s		
P.22	06-01	Stall prevention operation level	0 ~ 400.0%	150.0%	115
P.23	06-02	Compensation factor at level reduction	0 ~ 200.0%	99999	115
			99999: Stall prevention operation level is the setting value of 06-01(P.22).		
P.24	04-03	Speed 4	0 ~ 650.00Hz	99999	102
			99999: Function invalid		
P.25	04-04	Speed 5	Same as 04-03	99999	102
P.26	04-05	Speed 6	Same as 04-03	99999	102
P.27	04-06	Speed 7	Same as 04-03	99999	102
P.28	01-15	Output frequency filter time	0 ~ 31	0ms	72
P.29	01-05	Acceleration/deceleration curve selection	0: Linear acceleration /deceleration curve	0	67
			1: S pattern acceleration /deceleration curve 1		
			2: S pattern acceleration /deceleration curve 2		
			3: S pattern acceleration /deceleration curve 3		
P.30	06-05	Regenerative brake function selection	0: If regenerative brake duty is fixed at 3%, parameter06-06(P.70) will be invalid.	0	116
			1: The regenerative brake duty is the value of 06-06(P.70).		
P.31	00-12	Soft-PWM carrier operation selection	0: None Soft-PWM operation	0	<a href="#">58</a>
			1: When 00-11(P.72)< 5, Soft-PWM is valid (only apply to V/F control )		
			2: When 00-11(P.72)>5, Inverter module's temperature is exorbitant, carrier will automatically lower, after module's temperature dropping, carrier will automatically return to p. 72 set value.		
P.32	07-02	Serial communication Baud rate selection	0: Baud rate:4800bps	1	<a href="#">124</a>
			1: Baud rate:9600bps		
			2: Baud rate:19200bps		
			3: Baud rate:38400bps		
			4: Baud rate:57600bps		
			5: Baud rate:115200bps		

Parameter Number	Group	Name	Setting Range	Factory Value	Page
P.33	07-00	Communication protocol selection	0: Modbus protocol	1	<a href="#">123</a>
			1: Shihlin protocol		
P.34	07-11	Writing selection of communication EEPROM	0: Write parameters in communication mode, write into RAM and EEPROM	0	<a href="#">123</a>
			1: Write parameters in communication mode, write into only RAM		
P.35	00-19	Communication mode instruction selection	0: Incommunication mode, operating instruction and setting frequency is set by communication.	0	64
			1: Incommunication mode, operating instruction and setting frequency is set by external.		
P.36	07-01	Inverter station number	0 ~ 254	0	<a href="#">123</a>
P.37	00-08	Speed display	0: Display output frequency(the mechanical speed is not displayed)	0	56
			0.1~5000.0		
			1~9999		
P.39	02-21	The maximum operation frequency of terminal 4-5	50Hz system: 1.00 ~ 650.00Hz	50.00Hz	81
			60Hz system: 1.00 ~ 650.00Hz	60.00Hz	
P.41	03-20	Up-to-frequency sensitivity	0 ~ 100.0%	10.0%	98
P.42	03-21	Output frequency detection for forward rotation	0 ~ 650.00Hz	6.00Hz	98
P.43	03-22	Output frequency detection for reverse rotation	0 ~ 650.00Hz	99999	98
			99999: Same as the setting of 03-21(P.42)		
P.44	01-22	The second acceleration time	0 ~ 360.00s/0 ~ 3600.0s	99999	<a href="#">74</a>
			99999: Not selected		
P.45	01-23	The second deceleration time	0 ~ 360.00s/0 ~ 3600.0s	99999	74
			99999: Not selected		
P.46	01-24	The second torque boost	0 ~ 30.0%	99999	74
			99999: Not selected		
P.47	01-25	The second base frequency	0 ~ 650.00Hz	99999	74
			99999: Not selected		
P.48	07-03	Data length	0: 8bit	0	<a href="#">123</a>
			1: 7bit		
P.49	07-04	Stop bit length	0: 1bit	0	<a href="#">123</a>
			1: 2bit		
P.50	07-05	Parity check selection	0: No parity verification	0	123
			1: Odd		
			2: Even		
P.51	07-06	CR/LF selection	1: CR only	1	123
			2: Both CR and LF		
P.52	07-08	Number of communication retries	0 ~ 10	1	123
P.53	07-09	Communication check time interval	0~999.8s: Use the set value for the communication overtime test.	99999	123
			99999: No communication overtime test.		
P.56	02-52	Output current display the datum	0~500.00A	According to type	78
P.57	10-09	Restart coasting time	0 ~ 30.0s	99999	154
			99999: No restart function.		

Appendix 1 Parameter table

Parameter Number	Group	Name	Setting Range	Factory Value	Page
P.58	10-10	Restart cushion time	0 ~ 60.0s	5.0s	154
P.59	00-10	Operating keyboard knob Settings locking selection	XXX0: The frequency set by frequency inverter itself shuttle knob is effective	0	57
			XXX1: The frequency set by the knob of the manipulator is effective.		
			X0XX: After changing the frequency, automatic storage after 30 s		
			X1XX : After changing the frequency, automatic storage after 10 s		
			X2XX : After changing the frequency, doesn't store automatically		
			0XXX: After to shuttle set frequency, the frequency of changes take effect immediately		
			1XXX: After to shuttle set frequency and the set key run , the frequency of change take effect.		
P.60	02-10	3-5 filter time	0 ~ 2000ms	31	<a href="#">81</a>
P.61	10-11	Remote setting functionselection	0: No remote setting function.	0	<a href="#">155</a>
			1: Remote setting function, frequency setup storage is available.		
			2: Remote setting function, frequency setup storage is not available.		
			3: Remote setting function, frequency setup storage is not available, the remote setting frequency is cleared by STF/STR "turn off".		
P.62	03-23	Zero current detection level	0 ~ 200.0%	5.0%	99
			99999: Function invalid		
P.63	03-24	Zero current detection time	0.05 ~ 60.0s	0.50s	99
			99999 : Function is invalid		
P.65	10-12	Retry selection	0: Retry is invalid.	0	158
			1: Over-voltage occurs, the inverter will perform the retry function.		
			2: Over-current occurs, the inverter will perform the retry function.		
			3: Over-voltage or over-current occurs, the inverter will perform the retry function.		
			4: All the alarms have the retry function.		

Parameter Number	Group	Name	Setting Range	Factory Value	Page
P.66	06-03	Stall prevention operation reduction starting frequency	50Hz system: 0 ~ 650.00Hz	50.00Hz	117
			60Hz system: 0 ~ 650.00Hz	60.00Hz	
P.67	10-13	Number of retries at alarm occurrence	0: Retry is invalid.	0	<a href="#">158</a>
			1 ~ 10: The setting value of 10-13(P.67) is exceeded, the inverter will not perform the retry function.		
P.68	10-14	Retry waiting time	0 ~ 360.0s	6.0s	158
P.69	10-15	Retry accumulation time at alarm	Read	0	158
P.70	06-06	Special regenerative brake duty	0 ~ 30.0%	0.0%	<a href="#">116</a>
P.71	00-13	Idling braking / DC braking	0: Idling braking	1	<a href="#">59</a>
			1: DC braking		
P.72	00-11	Carrier frequency	1~15 kHz	5 kHz	<a href="#">58</a>
P.75	00-14	Stop function selection	0: Press STOP button and stop the operation only in the PU and H2 mode	1	<a href="#">59</a>
			1: Press STOP button and stop the operation in all mode.		
P.77	00-03	Selection of parameterswrite protection	0: Parameters can be written only when the motor stops.	0	<a href="#">53</a>
			1: Parameters cannot be written.		
			2: Parameters can also be written when the motor is running.		
			3: Parameters cannot be written when in password protection.		
P.78	00-15	Forward/reverse rotation prevention selection	0: Forward rotation and reverse rotation are both permitted.	0	<a href="#">60</a>
			1: Reverse rotation is prohibited (Press the reverse reference to decelerate and stop the motor).		
			2: Forward rotation is prohibited (Press the forward rotation reference to decelerate and stop the motor).		

Appendix 1 Parameter table

Parameter Number	Group	Name	Setting Range	Factory Value	Page
P.79	00-16	Operation mode selection	0: "PU mode", "external mode" and "Jog mode" are interchangeable.	0	60
			1: "PU mode" and "JOG mode" are interchangeable.		
			2: "External mode" only		
			3: "Communication mode" only		
			4: "Combined mode 1"		
			5: "Combined mode 2"		
			6: "Combined mode 3"		
			7: "Combined mode 4"		
			8: "Combined mode 5"		
P.80	03-03	M0 function selection	Same as 03-00	2	92
P.81	03-04	M1 function selection	Same as 03-00	3	92
P.83	03-00	STF function selection	0: STF(the inverter runs forward)	0	92
			1: STR(the inverter runs reverse)		
			2: RL(Multi-speed low speed)		
			3: RM(Multi-speed medium speed)		
			4: RH(multi-speed high speed)		
			5: Keep		
			6: The external thermal relay operation		
			7: MRS(the instantaneous stopping of the inverter output)		
			8: RT(the inverter second function)		
			9: EXT(external JOG)		
			10: STF+EXJ		
			11: STR+EXJ		
			12: STF+RT		
			13: STR+RT		
			14: STF+RL		
			15: STR+RL		
			16: STF+RM		
			17: STR+RM		
			18: STF+RH		
			19: STR+RH		
			19: STR+RH		
			20: STF+RL+RM		
			21: STR+RL+RM		
			22: STF+RT+RL		
			23: STR+RT+RL		
			24: STF+RT+RM		
			25: STR+RT+RM		
26: STF+RT+RL+RM					
27: STR+RT+RL+RM					



Parameter Number	Group	Name	Setting Range	Factory Value	Page
P.83	03-00	STF function selection	28: RUN(the inverter runs forward)	0	92
			29: STF/STR(it is used with RUN, when STF/STR is "on", the inverter runs reverse ; when STF/STR is "off", the inverter runs forward)		
			30: RES(external reset function)		
			31: STOP(it can be used as a three-wire mode with the RUN signal or the STF-STR terminal)		
			32: REX(multi-speed set (16 levels))		
			33: PO(in "external mode", programmed operation mode is chosen)		
			34: RES_E (external reset become valid only when the alarm goes off.)		
			35: MPO (in "external mode" the manually operation cycle mode is chosen.)		
			36: TRI(triangle wave function is chosen)		
			37: keep		
			38: keep		
			39: STF/STR +STOP (The motor has a reverse rotation when the RUN signal is on. When the RUN signal is off, stop the motor and then run the motor for forward rotation.		
			40: P_MRS (the inverter output instantaneously stops, The MRS is pulse signal input)		
			42: Reserve		
			43: RUN_EN (the digital input terminal running enable)		
44: PID_OFF (the digital input terminal stopping PID enable)					
45: The second mode					
P.84	03-01	STR function selection	Same as 03-00	1	92
P.85	03-11	A-C function selection	0: RUN(inverter running)	5	<a href="#">85</a>
			1: SU(reaching the output frequency)		
			2: FU(output frequency detection)		
			3: OL(overload detection)		
			4: OMD(zero current detection)		
			5: ALARM(alarm detection)		
			6: PO1(programmed operation section detection)		
			7: PO2(programmed operation periodical detection)		
8: PO3(programmed operation pause detection)					

Appendix 1 Parameter table

Parameter Number	Group	Name	Setting Range	Factory Value	Page
P.85	03-11	A-C function selection	9: BP(Switch between the inverter operation and the commercial power-supply operation function, inverter output)	5	<a href="#">95</a>
			10: GP(Switch between the inverter operation and the commercial power-supply operation function,commercial power-supply output)		
			11: OMD1(zero current detection)		
			12: OL2 (Over torque alarm output)		
			13 ~ 16: Reserve		
			17: RY(the accomplishment of inverter running preparation)		
			18: Maintenance alarm detection		
P.87	03-14	Multi-function terminal digital input negative/positive logic	0 ~ 15	0	96
P.88	03-15	Multi-function terminal digital output negative/positive logic (noumenon and slot3)	0:AC terminal output positive logic	0	96
			2:AC terminal output negative logic		
P.89	13-00	Slip compensation coefficient	0 ~ 10	0	<a href="#">166</a>
P.90	00-00	The inverter model	Read	---	50
P.91	01-16	Fequency jump 1A	0 ~ 650.00Hz	99999	<a href="#">73</a>
			99999: invalid		
P.92	01-17	Fequency jump 1B	0 ~ 650.00Hz	99999	<a href="#">73</a>
			99999: invalid		
P.93	01-18	Fequency jump 2A	0 ~ 650.00Hz	99999	<a href="#">73</a>
			99999: invalid		
P.94	01-19	Fequency jump 2B	0 ~ 650.00Hz	99999	<a href="#">73</a>
			99999: invalid		
P.95	01-20	Fequency jump 3A	0 ~ 650.00Hz	99999	<a href="#">73</a>
			99999: invalid		
P.96	01-21	Fequency jump 3B	0 ~ 650.00Hz	99999	<a href="#">73</a>
			99999: invalid		
P.97	00-17	The second target frequency selection	0: Frequency set by parameter unit	0	<a href="#">60</a>
			1: Frequency set by Communication RS485		
			2: Frequency set by the analog		
P.98	01-26	Middle frequency 1	0 ~ 650.00Hz	3.00Hz	<a href="#">75</a>
P.99	01-27	Output voltage 1 of middle frequency	0 ~ 100.0%	10.0%	<a href="#">75</a>

Parameter Number	Group	Name	Setting Range	Factory Value	Page
P.100	04-15	Minute/second selection	0: The minimum increment of run time is 1 minute.	1	104
			1: The minimum increment of run time is 1 second.		
P.101	04-27	Programmed operation mode speed 1 operating time	0 ~ 6000.0s	0.0s	105
P.102	04-28	Programmed operation mode speed 2 operating time	0 ~ 6000.0s	0.0s	105
P.103	04-29	Programmed operation mode speed3 operating time	0 ~ 6000.0s	0.0s	105
P.104	04-30	Programmed operation mode speed 4 operating time	0 ~ 6000.0s	0.0s	105
P.105	04-31	Programmed operation mode speed 5 operating time	0 ~ 6000.0s	0.0s	105
P.106	04-32	Programmed operation mode speed 6 operating time	0 ~ 6000.0s	0.0s	105
P.107	04-33	Programmed operation mode speed 7 operating time	0 ~ 6000.0s	0.0s	105
P.108	04-34	Programmed operation mode speed 8 operating time	0 ~ 6000.0s	0.0s	105
P.110	00-06	Parameter unit monitoring selection	0: When the inverter starts, the parameter unit enters the monitoring mode automatically, and the screen displays the output frequency.	2	55
			1: When the inverter starts, the screen of the parameter unit displays the target frequency.		
			2: When the inverter starts, the parameter unit enters the monitoring mode automatically, and the screen displays the current pressure and feedback pressure of the constant pressure system.		
			3 : When the inverter starts,operator begins monitor mode automatically, display the current target pressure and feedback constant pressure system (note)		
			4 : When the inverter starts,operator is no longer automatically monitor mode, display the inverter model before starting.		

Appendix 1 Parameter table

Parameter Number	Group	Name	Setting Range	Factory Value	Page
P.111	04-35	Programmed operation mode speed 1 Acc/Dec time	0 ~ 600.00s/0 ~ 6000.0s	0.00s	<a href="#">105</a>
P.112	04-36	Programmed operation mode speed 2 Acc/Dec time	0 ~ 600.00s/0 ~ 6000.0s	0.00s	<a href="#">105</a>
P.113	04-37	Programmed operation mode speed 3 Acc/Dec time	0 ~ 600.00s/0 ~ 6000.0s	0.00s	<a href="#">105</a>
P.114	04-38	Programmed operation mode speed 4 Acc/Dec time	0 ~ 600.00s/0 ~ 6000.0s	0.00s	<a href="#">105</a>
P.115	04-39	Programmed operation mode speed 5 Acc/Dec time	0 ~ 600.00s/0 ~ 6000.0s	0.00s	<a href="#">105</a>
P.116	04-40	Programmed operation mode speed 6 Acc/Dec time	0 ~ 600.00s/0 ~ 6000.0s	0.00s	<a href="#">105</a>
P.117	04-41	Programmed operation mode speed 7 Acc/Dec time	0 ~ 600.00s/0 ~ 6000.0s	0.00s	<a href="#">105</a>
P.118	04-42	Programmed operation mode speed 8 Acc/Dec time	0 ~ 600.00s/0 ~ 6000.0s	0.00s	105
P.119	10-16	The dead time of positive and reverse rotation	0 ~ 3000.0s	0.0s	<a href="#">159</a>
P.120	03-16	Output signal delay time	0 ~ 3600.0s	0.0s	<a href="#">97</a>
P.121	04-16	Run direction in each section	0 ~ 255	0	104
P.122	04-17	Cycle selection	0: Cycle function invalid	0	104
			1 ~ 8: Run circularly from the setting section.		
P.123	04-18	Acceleration/deceleration time setting selection	0: The acceleration time is set by 01-06(P.7), the deceleration time is set by 01-07(P.8).	0	104
			1: The acceleration and deceleration time is both determined by 04-35(P.111) ~ 04-42(P.118).		
P.131	04-19	Programmed operation mode speed 1	0 ~ 650.00Hz	0.00Hz	104
P.132	04-20	Programmed operation mode speed 2	0 ~ 650.00Hz	0.00Hz	104
P.133	04-21	Programmed operation mode speed3	0 ~ 650.00Hz	0.00Hz	104
P.134	04-22	Programmed operation mode speed 4	0 ~ 650.00Hz	0.00Hz	104

Parameter Number	Group	Name	Setting Range	Factory Value	Page
P.135	04-23	Programmed operation mode speed 5	0 ~ 650.00Hz	0.00Hz	104
P.136	04-24	Programmed operation mode speed 6	0 ~ 650.00Hz	0.00Hz	104
P.137	04-25	Programmed operation mode speed 7	0 ~ 650.00Hz	0.00Hz	104
P.138	04-26	Programmed operation mode speed 8	0 ~ 650.00Hz	0.00Hz	104
P.141	02-61	Voltage signal offset direction and diversion set	0~11	0	<a href="#">81</a>
P.142	04-07	Speed8	0 ~ 650.00Hz	99999	102
P.143	04-08	Speed9	Same as 04-03	99999	102
P.144	04-09	Speed10	Same as 04-03	99999	102
P.145	04-10	Speed11	Same as 04-03	99999	102
P.146	04-11	Speed12	Same as 04-03	99999	102
P.147	04-12	Speed13	Same as 04-03	99999	102
P.148	04-13	Speed14	Same as 04-03	99999	102
P.149	04-14	Speed15	Same as 04-03	99999	102
P.150	10-08	Restart mode selection	X0: No frequency search.	0	<a href="#">154</a>
			X1: Keep		
			X2: Decrease voltage mode		
			0X: Power on once.		
			1X: Start each time.		
			2X: Only instantaneous stop and restart		
P.151	10-03	Zero-speed control function selection	0: There is no output at zero-speed.	0	<a href="#">153</a>
			1: T DC voltage breaking		
P.152	10-04	Voltage at zero-speed control	0 ~ 30.0%	5.0%	<a href="#">153</a>
P.153	07-10	Communication error handling	0: Warn and call to stop	0	<a href="#">124</a>
			1: No warning and keep running		
P.154	07-07	Modbus communication format	0: 1、7、N、2 (Modbus, ASCII)	4	<a href="#">124</a>
			1: 1、7、E、1 (Modbus, ASCII)		
			2: 1、7、O、1 (Modbus, ASCII)		
			3: 1、8、N、2 (Modbus, RTU)		
			4: 1、8、E、1 (Modbus, RTU)		
			5: 1、8、O、1 (Modbus, RTU)		

Appendix 1 Parameter table

Parameter Number	Group	Name	Setting Range	Factory Value	Page
P.155	06-08	Over torque detection level	0 ~ 200.0%	0.0%	<a href="#">117</a>
P.156	06-09	Over torque detection time	0 ~ 60.0s	1.0s	<a href="#">117</a>
P.157	03-17	Digital input terminal filter time	0 ~ 2000	4	<a href="#">97</a>
P.158	03-18	Digital input terminal power enable	0: Digital input terminal power unable	0	<a href="#">98</a>
			1: Digital input terminal power enable		
P.159	10-17	Energy-saving control function	0: Normal running mode.	0	<a href="#">159</a>
			1: Energy-saving running mode.		
P.161	00-07	Multi-function display	0: Output voltage (V)	0	55
			1: Inverter voltage between (+/P) and (-/N) terminals. (V)		
			2: Temperature rising accumulation rate of inverter (%)		
			3: Target pressure of the constant pressure system (%)		
			4: Feedback pressure of the constant pressure system (%)		
			5: Operation frequency (Hz)		
			6: Electronic thermal accumulation rate (%)		
			7: Signal value (V) of 2-5 simulating input terminals.		
			8: Signal value (mA) of 4-5 simulating input terminals (mA/V).		
			9: Output power (kW).		
			10: PG card's feedback rotation speed. (Hz)		
			11: Positive and reverse rotation signal. Then 1 represents positive rotation, 2 represents reverse rotation, and 0 represents stopping state.		
			12: NTC temperature (°C)		
			13: Electronic thermal accumulation rate of motor (%)		
			14: Reserve.		
			15: Input frequency of terminal HDI. (kHz)		
			16: Real-time curling radius value. (mm)		
17: Real-time line speed. (m/min)					
18: Output torque of inverter (%)					
19: Digital terminal input state					
20: Digital terminal output state					
21: Actual working carrier frequency					
P.162	01-28	Middle frequency 2	0 ~ 650.00Hz	99999	75
			99999: Not selected		

Parameter Number	Group	Name	Setting Range	Factory Value	Page
P.163	01-29	Output voltage 2 of middle frequency	0 ~ 100.0%	0.0%	75
P.164	01-30	Middle frequency 3	0 ~ 650.00Hz	99999	75
			99999: Not selected		
P.165	01-31	Output voltage 3 of middle frequency	0 ~ 100.0%	0.0%	75
P.166	01-32	Middle frequency 4	0 ~ 650.00Hz	99999	75
			99999: Not selected		
P.167	01-33	Output voltage 4 of middle frequency	0 ~ 100.0%	0.0%	75
P.168	01-34	Middle frequency 5	0 ~ 650.00Hz	99999	75
			99999: Not selected		
P.169	01-35	Output voltage 5 of middle frequency	0 ~ 100.0%	0.0%	75
P.170	08-00	PID function selection	0: PID function non-selected	0	<a href="#">143</a>
			1: Parameter 08-03(P.225) sets target value, take the input of terminal 2-5 as target source		
P.171	08-01	PID feedback control method	0: Negative feedback control.	0	<a href="#">143</a>
			1: Positive feedback control.		
P.172	08-04	Proportion gain	1~100	20	<a href="#">144</a>
P.173	08-05	Integral time	0 ~ 100.00s	1.00s	<a href="#">144</a>
P.174	08-06	Differential time	0 ~ 10000ms	0ms	<a href="#">144</a>
P.175	08-07	Abnormal deviation	0 ~ 100.0%	0.0%	<a href="#">144</a>
P.176	08-08	Exception duration time	0 ~ 600.0s	30.0s	<a href="#">144</a>
P.177	08-09	Exception handling mode	0: Free stop	0	<a href="#">144</a>
			1: Decelerate and stop		
			2: Continue to run when the alarm goes off		
P.178	08-10	Sleep detects deviation	0 ~ 100.0%	0.0%	<a href="#">144</a>
P.179	08-11	Sleep detects duration time	0 ~ 255.0s	1.0s	<a href="#">144</a>
P.180	08-12	Revival level	0 ~ 100.0%	90.0%	<a href="#">144</a>
P.181	08-13	Outage level	0 ~ 120.00Hz	40.00Hz	<a href="#">144</a>
P.182	08-14	Integral upper limit	50Hz : 0 ~ 120.00Hz	50.00Hz	<a href="#">144</a>
			60Hz : 0 ~ 120.00Hz	60.00Hz	
P.183	08-15	Deceleration step length with stable pressure	0 ~ 10.00Hz	0.50Hz	<a href="#">144</a>
P.184	02-24	4-5 disconnection selection	0: No disconnection selection is available.	0	81
			1: Decelerate to 0Hz, the digital output terminal will set off the alarm		
			2: The inverter will stop immediately, and the panel will display the "AER" alarm.		
			3: The inverter will run continuously according to the frequency reference before the disconnection. The digital output terminal will set off the alarm.		

Appendix 1 Parameter table

Parameter Number	Group	Name	Setting Range	Factory Value	Page
P.185	02-06	Proportion linkage gain	0 ~ 100%	0%	79
P.188	00-01	Firmware version	Read	---	50
P.189	00-24	50Hz/60Hz switch selection	0: The frequency parameter default value is 60Hz system.	0	61
			1: The frequency parameter default value is 50Hz system.	1	
P.196	02-27	3-5 minimum input current/voltage corresponding to the percentage	0 ~ 100.0%	0.0%	81
P.197	02-28	3-5 input current/voltage corresponding to the largest percentage	0 ~ 100.0%	100.0%	81
P.198	02-25	The minimum input current/voltage of terminal 3-5	0 ~ 20.00mA/V	0.00V	81
P.199	02-26	The maximum input current/voltage of terminal 3-5	0 ~ 20.00 mA/V	10.00 V	81
P.223	08-18	Analog feedback bias pressure	0 ~ 100.0%	0.0%	<a href="#">145</a>
P.224	08-19	Analog feedback gain pressure	0 ~ 100.0%	100.0%	<a href="#">145</a>
P.225	08-03	PID target value panel reference	0 ~ 100.0%	20.0%	<a href="#">144</a>
P.226	10-55	Reciprocating mechanical function	0、1	0	<a href="#">163</a>
P.227	10-56	Forward limit time	0~3600s	0	<a href="#">163</a>
P.228	10-57	Reversal limit time	0~3600s	0	<a href="#">163</a>
P.229	10-18	Dwell function selection	0: None.	0	<a href="#">160</a>
			1: Backlash compensation function.		
			2: Acceleration and deceleration interrupt waiting function.		
P.230	10-19	Dwellfrequency at acceleration	0 ~ 650.00Hz	1.00Hz	<a href="#">160</a>
P.231	10-20	Dwelltime at acceleration	0 ~ 360.0s	0.5s	<a href="#">160</a>
P.232	10-21	Dwellfrequency at deceleration	0 ~ 650.00Hz	1.0Hz	<a href="#">160</a>



Parameter Number	Group	Name	Setting Range	Factory Value	Page
P.233	10-22	Dwelltime at deceleration	0 ~ 360.0s	0.5s	<a href="#">160</a>
P.234	10-23	Triangular wave function selection	0: None.	0	<a href="#">162</a>
			1: External TRIs turned on,triangular wave function will be valid.		
			2: The triangular wave function is effective at any given time.		
P.235	10-24	Maximumamplitude	0 ~ 25.0%	10.0%	<a href="#">162</a>
P.236	10-25	Amplitude compensation for deceleration	0 ~ 50.0%	10.0%	<a href="#">162</a>
P.237	10-26	Amplitude compensation for acceleration	0 ~ 50.0%	10.0%	<a href="#">162</a>
P.238	10-27	Amplitude acceleration time	0 ~ 360.00s/0 ~ 3600.0s	10.00s	<a href="#">162</a>
P.239	10-28	Amplitude deceleration time	0 ~ 360.00s/0 ~ 3600.0s	10.00s	<a href="#">162</a>
P.240	02-07	Auxiliary frequency	0: No auxiliary frequency function is available.	0	80
			2: operation frequency = basic frequency + auxiliaryfrequency (given by the 4-5 terminal)		
			4: operation frequency = basic frequency - auxiliary frequency (given by the 4-5 terminal)		
P.242	10-05	DC injection brake function before start	0: DC injection brake function is not available before starting.	0	<a href="#">153</a>
			1: DC brake injection function is selected before starting.		
P.243	10-06	DC injection brake time before start	0 ~ 60.0s	0.5s	<a href="#">153</a>
P.244	10-07	DC injection brake voltage before start	0 ~ 30.0%: 7.5K(included) and types below	4.0%	<a href="#">153</a>
			0 ~ 30.0%: 11K ~ 55K types	2.0%	
			0 ~ 30.0%: 75K (included) and types above.	1.0%	
P.245	06-12	Cooling fan operation	0: The fan will be turned on when running. The fan will be turned off 30 seconds after inverter stops.	1	118
			1: Turning on the power will turn on the fan. When the power is turned off, the fan will be off, too.		
			2: The fan will be turned on when the temperature of the heat sink is higher than 60°C. When it is lower than 40°C, the fan will be turned off.		
			3: The fan will be turned on when the temperature of the heat sink is higher than 60°C and it will be tured off when it is lower than 40°C.		

Appendix 1 Parameter table

Parameter Number	Group	Name	Setting Range	Factory Value	Page
P.255	01-36	S pattern time at the beginning of acceleration	0 ~ 25.00s/0 ~ 250.0s	0.20s	76
P.256	01-37	S pattern time at the end of acceleration	0 ~ 25.00s/0 ~ 250.0s	99999	76
			99999: Not selected		
P.257	01-38	S pattern time at the beginning of deceleration	0 ~ 25.00s/0 ~ 250.0s	99999	76
			99999: Not selected		
P.258	01-39	S pattern time at the end of deceleration	0 ~ 25.00s/0 ~ 250.0s	99999	76
			99999: Not selected		
P.259	00-09	Speed unit selection	0: Speed display selection unit is 1	1	56
			1: Speed display selection unit is 0.1		
P.260	06-10	Over torque detection selection	0: The OL2 alarm is not reported after the over torque detection, and the inverter keeps running.	1	117
			1: The OL2 alarm is reported after the over torque detection, and the inverter stops.		
P.261	06-17	Maintenance alarm function	0: No maintenance alarm.	0	<a href="#">119</a>
			1~9998day:Used to set time when maintenance alarm sends out signal		
P.286	13-03	High frequency vibration inhibition factor	0 ~ 15	0	<a href="#">168</a>

Parameter Number	Group	Name	Setting Range	Factory Value	Page
P.288	06-40	Alarm code query	0 ~ 12	0	<a href="#">121</a>
P.289	06-41	Alarm code display	Read	Read	<a href="#">121</a>
P.290	06-42	Alarm message query	0 ~ 12	0	<a href="#">121</a>
P.291	06-43	Alarm message display	Read	Read	<a href="#">121</a>
P.292	06-27	Accumulative motor operation time (minutes)	0 ~ 1439min	0min	<a href="#">120</a>
P.293	06-28	Accumulative motor operation time (days)	0 ~ 9999day	0day	<a href="#">120</a>
P.294	00-04	Decryption parameter	0~65535	0	53
P.295	00-05	Password setup	2~65535	0	53
P.296	06-29	Accumulative motor power time (minutes)	0 ~ 1439min	0min	<a href="#">120</a>
P.297	06-30	Accumulative motor power time (days)	0 ~ 9999day	0day	<a href="#">120</a>
P.300	00-21	Motor control mode selection	0: Induction motor V/F control	0	61
			1: reserve		
			2: Induction motor simple vector control		
P.301	05-00	Motor parameter auto-tuning function selection	0: Parameter auto-tuning function with no motor	0	109
			1: Induction motor parameter auto-tuning measuring the running motor		
			2: Induction motor parameter auto-tuning measuring the stopped motor		
			3: Induction motor online auto-tuning function		
P.302	05-01	Motor rated power	0 ~ 160.00kW	0.00kW	111
P.303	05-02	Motor poles	0 ~ 8	4	111
P.304	05-03	Motor rated voltage	50Hz/60Hz system: 0 ~ 440V/0~220V	According to voltage	111
P.305	05-04	Motor rated frequency	50Hz system: 0 ~ 650.00Hz	50.00Hz	111
			60Hz system: 0 ~ 650.00Hz	60.00Hz	
P.306	05-05	Motor rated current	0~500.00A	According to type	111
P.307	05-06	Motor rated rotation speed	50Hz system: 0 ~ 65000r/min	1410 r/min	111
			60Hz system: 0 ~ 65000r/min	1710 r/min	
P.308	05-07	Motor excitation current	0~500.00A	According to type	111
P.309	05-08	IM motor stator resistance	0 ~ 99.98Ω	According to type	111
P.320	11-00	Speed control proportion coefficient 1	0 ~ 2000%	100	<a href="#">165</a>
P.321	11-01	Speed control integral time1	0 ~ 32	20	<a href="#">165</a>

Appendix 1 Parameter table

Parameter Number	Group	Name	Setting Range	Factory Value	Page
15-00	P.900	User registration parameter 1	P parameter model : 0 ~ 321 Parameter groups pattern : 00-00~13-03	99999	<a href="#">170</a>
15-01	P.901	User registration parameter 2		99999	<a href="#">170</a>
15-02	P.902	User registration parameter 3		99999	<a href="#">170</a>
15-03	P.903	User registration parameter 4		99999	<a href="#">170</a>
15-04	P.904	User registration parameter 5		99999	<a href="#">170</a>
15-05	P.905	User registration parameter 6		99999	<a href="#">170</a>
15-06	P.906	User registration parameter 7		99999	<a href="#">170</a>
15-07	P.907	User registration parameter 8		99999	<a href="#">170</a>
15-08	P.908	User registration parameter 9		99999	<a href="#">170</a>
15-09	P.909	User registration parameter 10		99999	<a href="#">170</a>
15-10	P.910	User registration parameter 11		99999	<a href="#">170</a>
15-11	P.911	User registration parameter 12		99999	<a href="#">170</a>
15-12	P.912	User registration parameter 13		99999	<a href="#">170</a>
15-13	P.913	User registration parameter 14		99999	<a href="#">170</a>
15-14	P.914	User registration parameter 15		99999	<a href="#">170</a>
15-15	P.915	User registration parameter 16		99999	<a href="#">170</a>
15-16	P.916	User registration parameter 17		99999	<a href="#">170</a>
15-17	P.917	User registration parameter 18		99999	<a href="#">170</a>
15-18	P.918	User registration parameter 19		99999	<a href="#">170</a>
15-19	P.919	User registration parameter 20		99999	<a href="#">170</a>
00-25	P.990	Parameter mode setting	0: Parameter is displayed as "group mode"	1	62
			1: Parameter is displayed as "conventional P mode"		
00-02	P.996 ~ P.999	Parameter restoration	0: Non-function	0	51
			1: Alarm history clear (P.996=1)		
			2: Inverter reset (P.997=1)		
			3: Restoring all parameters to default values (P.998=1)		
			4: Restoring some parameters to default values1 (P.999=1)		

## 7.2 Appendix 2 Alarm code list

Code	Screen display	Cause	Troubleshooting
<b>ERROR</b>	<i>Error</i>	<ol style="list-style-type: none"> <li>Under-voltage for power supply</li> <li>The reset function "RES" is on</li> <li>Bad connection between the parameter unit and main machine</li> <li>Internal circuit malfunction</li> <li>Wrong CPU operation</li> </ol>	<ol style="list-style-type: none"> <li>Provide a normal power supply</li> <li>Shut off "RES"</li> <li>Ensure firm connection between the parameter unit and the main machine</li> <li>Replace the inverter.</li> <li>Restart the inverter</li> </ol>
<b>OC0</b> Over-current when stop	<i>OC0</i>	The output current is two times larger than the rated current of the inverter.	Please restart the inverter. If the alarm repeated, please send the inverter back to the factory.
<b>OC1</b> Over-current during acceleration	<i>OC1</i>		<ol style="list-style-type: none"> <li>In case the time for acceleration or deceleration is too short, extend it as necessary.</li> <li>Avoid abrupt increase of load.</li> <li>Check Terminals U/T1, V/T2 and W/T3 for short circuit.</li> </ol>
<b>OC2</b> Over-current at constant speed	<i>OC2</i>		
<b>OC3</b> Over-current during deceleration	<i>OC3</i>		
<b>OV0</b> Over-voltage when stop	<i>OV0</i>	Over-voltage between Terminals P and N.	Check whether the power supply is normal or abnormal.
<b>OV1</b> Over-voltage during acceleration	<i>OV1</i>		<ol style="list-style-type: none"> <li>In case the time for acceleration or deceleration is too short, extend it as necessary.</li> <li>Check the brake resistor between Terminals +/P and PR for loose connection.</li> <li>Check whether the values of 06-05(P.30) and 06-06(P.70) are correct or not.</li> </ol>
<b>OV2</b> Over-voltage at constant speed	<i>OV2</i>		
<b>OV3</b> Over-voltage during deceleration	<i>OV3</i>		

Code	Screen display	Cause	Troubleshooting
<b>THT</b> Overheated IGBT module	<b>THT</b>	IGBT module thermal accumulation relay operation	Avoid prolonged inverter operation when overloaded.
<b>THN</b> Overheated motor	<b>THN</b>	Electronic thermal relay operation	<ol style="list-style-type: none"> <li>1. Check whether the set value of 06-00(P.9) is correct or not (according to the externally connected motor).</li> <li>2. Reduce load.</li> </ol>
<b>OHT</b> External thermal relay operation	<b>OHT</b>	External thermal relay operation	<ol style="list-style-type: none"> <li>1. Check whether the capacity of the external thermal relay and of the motor coordinates well.</li> <li>2. Reduce the load.</li> </ol>
<b>OPT</b> Abnormal peripheral devices	<b>OPT</b>	<ol style="list-style-type: none"> <li>1. Abnormal communication; Exceeding the number of communication retries</li> <li>2. Interrupted communication; Exceeding the permitted communication time interval</li> </ol>	Correctly set the communication parameters.
<b>EEP</b> Abnormal memory	<b>EEP</b>	ROM malfunction	Send the inverter back to the factory if this type of alarm happens frequently.
<b>PID</b> Abnormal PID	<b>PID</b>	<ol style="list-style-type: none"> <li>1. Insufficient inverter and motor capacity</li> <li>2. PID target value or feedback value set unreasonably</li> <li>3. Peripheral devices malfunction</li> </ol>	<ol style="list-style-type: none"> <li>1. Enlarge the inverter and motor capacity.</li> <li>2. Check the feedback gain setup. Reset the target value according to the feedback.</li> <li>3. Check the system's peripheral feedback devices (e.g., sensors, potentiometer) and whether the wiring is correct.</li> </ol>
<b>CPU</b> Abnormal CPU	<b>CPU</b>	Serious peripheral electromagnetic interference	Reduce peripheral interference.
<b>OLS</b> Stall prevention and protection	<b>OLS</b>	Over-loaded motor	<ol style="list-style-type: none"> <li>1. Reduce motor load.</li> <li>2. Increase 06-01(P.22) value.</li> </ol>

Code	Screen display	Cause	Troubleshooting
<b>NTC</b> Overheated module	<b>NTC</b>	The temperature of the inverter IGBT module is too high.	<ol style="list-style-type: none"> <li>1. Reduce the environment temperature and improve the air condition.</li> <li>2. Check whether the fan of the inverter is running normally.</li> </ol>
<b>OL2</b> Abnormal over-torque	<b>OL2</b>	<ol style="list-style-type: none"> <li>1. Over-loaded motor</li> <li>2. 06-08(P.155),06-09 (P.156) set unreasonably.</li> </ol>	<ol style="list-style-type: none"> <li>1. Reduce motor load.</li> <li>2. Adjust the set value of 06-08(P.155), 06-09(P.156) properly.</li> </ol>
<b>AErr</b> 3-5 terminals abnormal	<b>AErr</b>	<ol style="list-style-type: none"> <li>3. 3-5 terminal simulation for timing bolt anomalies</li> </ol>	Please see the parameters 02-24 (P. 184)

## 7.3 Appendix 3 Troubles and solutions

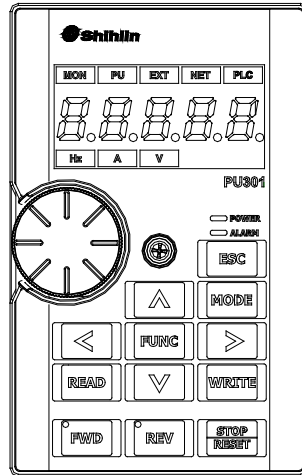
Troubles	Check points	
Motionless motor	Main circuit	<ul style="list-style-type: none"> <li>•Check whether the power supply voltage between Terminals R/L1, S/L2 and T/L3 is normal.</li> <li>•Check whether the Power light is on.</li> <li>•Check whether the wiring between the inverter and the motor is correct.</li> </ul>
	Load	<ul style="list-style-type: none"> <li>•Check whether the load is too heavy.</li> <li>•Check whether the motor rotor is locked.</li> </ul>
	Parameters Setting	<ul style="list-style-type: none"> <li>•Check whether the starting frequency (01-11(P.13)) is set too big.</li> <li>•Check whether the operation mode (00-16(P.79)) is correct.</li> <li>•Check whether the maximum frequency (01-00(P.1)) is zero.</li> <li>•Check whether the reverse rotation prevention (00-15(P.78)) is restricted.</li> <li>•Check whether the bias and gain (02-12~02-15, 02-25~02-28 / P.192~P.199) setting is correct.</li> <li>•Check that the frequency jump (01-16~01-21 / P.91~P.96) setting is correct.</li> </ul>
	Control circuit	<ul style="list-style-type: none"> <li>•Check whether the output stop signal "MRS" is ON. (Related parameter 03-00~03-05/P.80~P.84, P.86, 03-06(P.126), 03-09(P.550))</li> <li>•Check whether the "RES" function is ON. (Related parameter 03-00~03-05/P.80~P.84, P.86, 03-06(P.126), 03-09(P.550))</li> <li>•Check whether the external thermal relay is operating or not.</li> <li>•Check whether the reset has been performed or not after the set-off of the alarm (the ALARM light in on).</li> <li>•Check whether the voltage/current signals are correctly wired.</li> <li>•Check whether the functions of STF and STR are correct. (Related parameter 03-00~03-05/P.80~P.84, P.86, 03-06(P.126), 03-09(P.550))</li> <li>•Check whether the wiring for the control circuit is disconnected or has a poor contact.</li> </ul>
Reversed motor rotation	<ul style="list-style-type: none"> <li>•Check whether the phase sequence of output terminals U/T1, V/T2 and W/T3 is correct.</li> <li>•Check whether the start signal (STF and STR) are connected correctly.</li> </ul>	
Failure to increase the rotation speed of the motor	<ul style="list-style-type: none"> <li>•Check whether the load is too heavy.</li> <li>•Check whether the stall prevention level (06-01(P.22)) is correct.</li> <li>•Check whether the torque boost (01-10(P.0)) is set too high.</li> <li>•Check whether the maximum frequency (01-00(P.1)) is effective.</li> </ul>	
Unsmoothed acceleration / deceleration	<ul style="list-style-type: none"> <li>•Check whether the acceleration / deceleration time (01-06(P.7), 01-07(P.8)) is correct.</li> <li>•Check whether the acceleration / deceleration curve selection (01-05(P.29)) is correct.</li> <li>•Check whether the voltage / current input signals are affected by noises.</li> </ul>	
Overlarge motor current	<ul style="list-style-type: none"> <li>•Check whether the load is too heavy.</li> <li>•Check whether the capacity of the inverter and of the motor are well matched.</li> <li>•Check whether the torque boost (01-10(P.0)) is set too high.</li> </ul>	
Speed variation during the operation	<ul style="list-style-type: none"> <li>•Check whether the voltage / current input signals are affected by noises.</li> <li>•Check whether the load varies.</li> <li>•Check whether the wiring length of the main circuit is too long.</li> </ul>	



## 7.4 Appendix 4 : Optional accessories

### 7.4.1 PU301 Exerciser

➤ PU301 external view

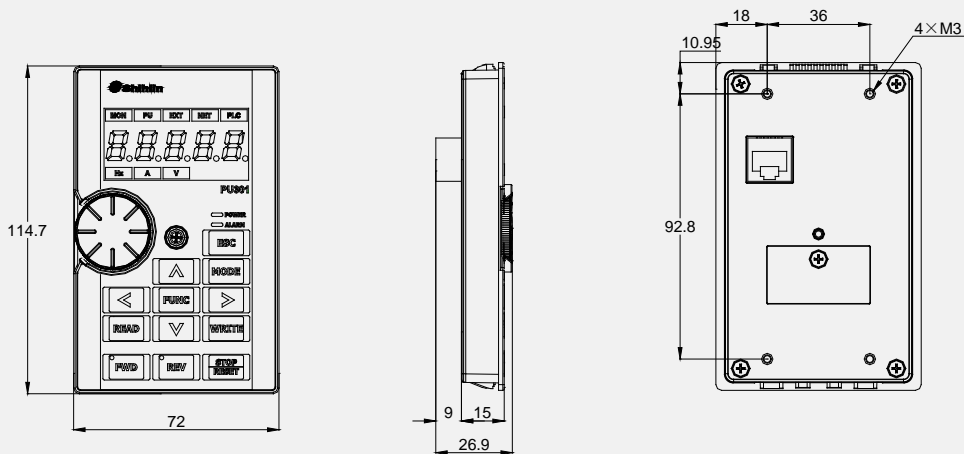


Description on the ordering code:

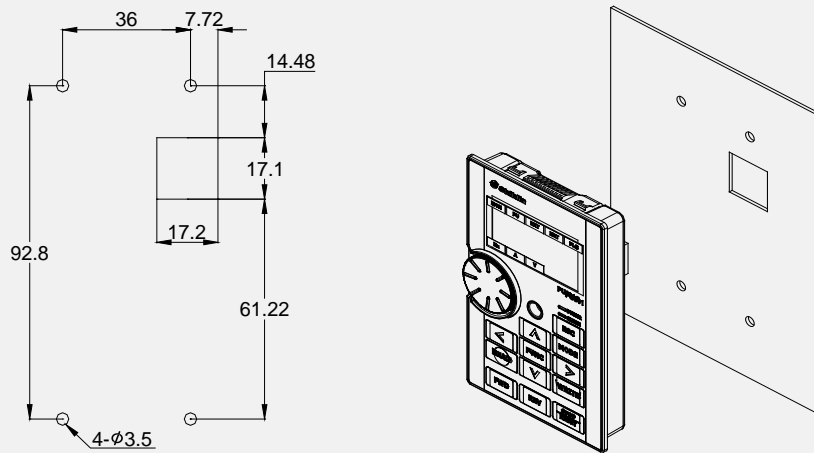
NO.	Model	Item Name	Ordering Code
1	PU301	LED Exerciser	SNKPU301

➤ outline dimensional drawing

<Outline drawing>



➤ Surface mounting hole size figure



➤ Card buckle installation hole size chart

<卡扣安装面板开孔尺寸图>

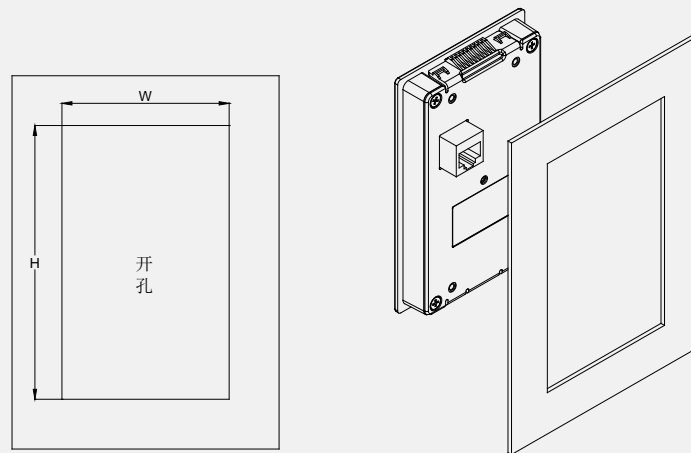


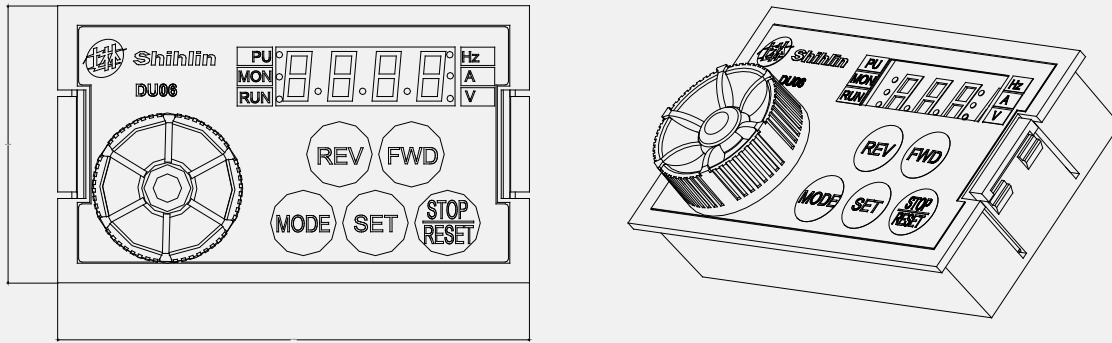
plate thickness	1.2mm	1.6mm	2.0mm
W	66.4		
H	110.2	111.3	112.5

\* allowable error:±0.15mm

\* If the customer open hole precision can't satisfy the allowable error, please choose and buy accessories SMK301 (10-35 installation package) for installation.

7.4.2 DU06 Exerciser

➤ DU06 external view

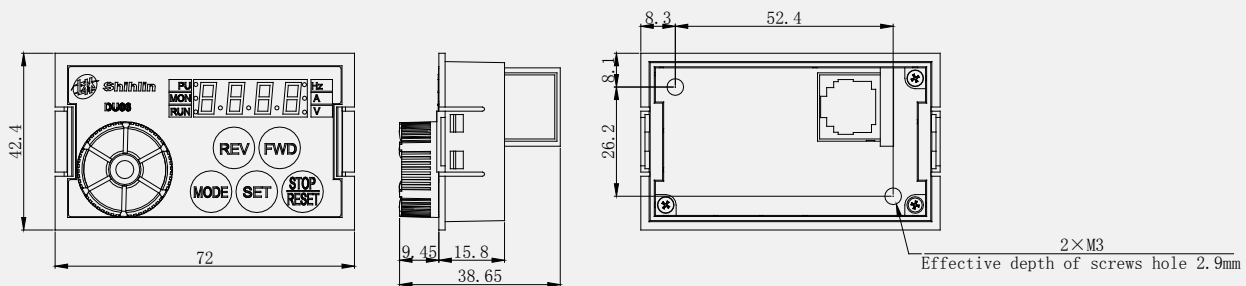


Description on the ordering code:

NO.	Model	Item Name	Ordering Code
1	DU06	DU06 operation panel	SNKDU06

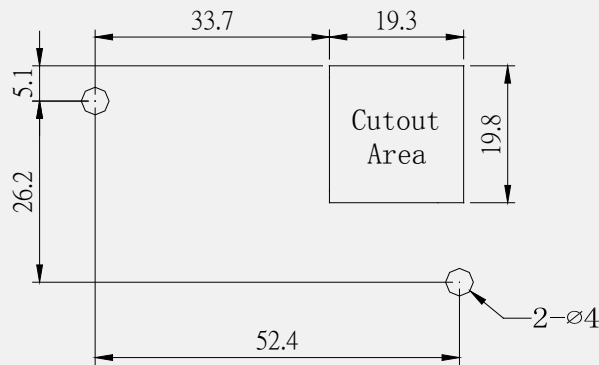
➤ outline dimensional drawing

<Outline drawing>



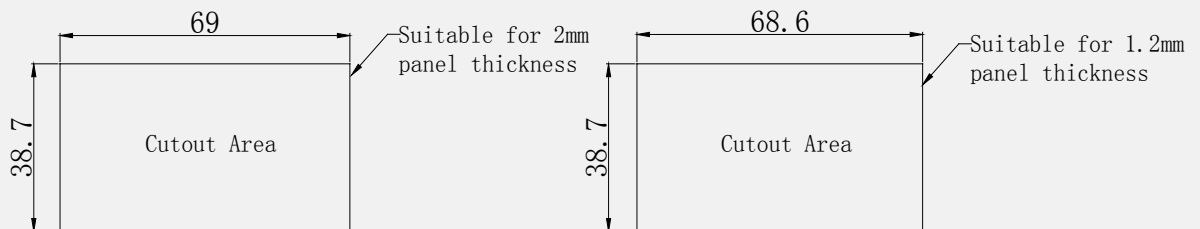
➤ Outline drawing of DU06

<Screw installation: panel cutting dimension drawing>



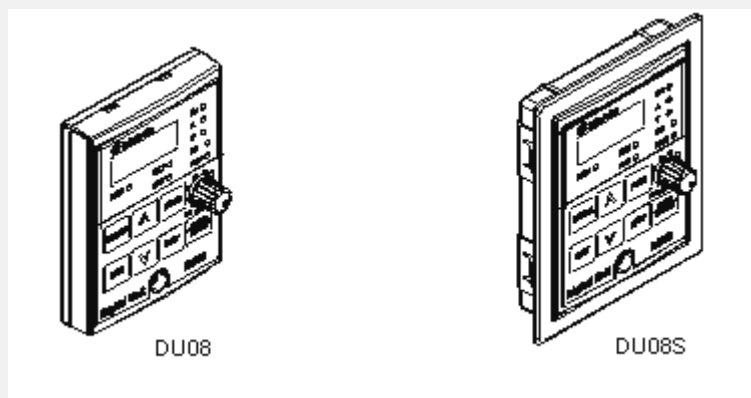
➤ Snap-fit installation of DU06

<Snap-fit installation: panel cutting dimension drawing>



7.4.3 DU08 Exerciser

➤ DU08 External view



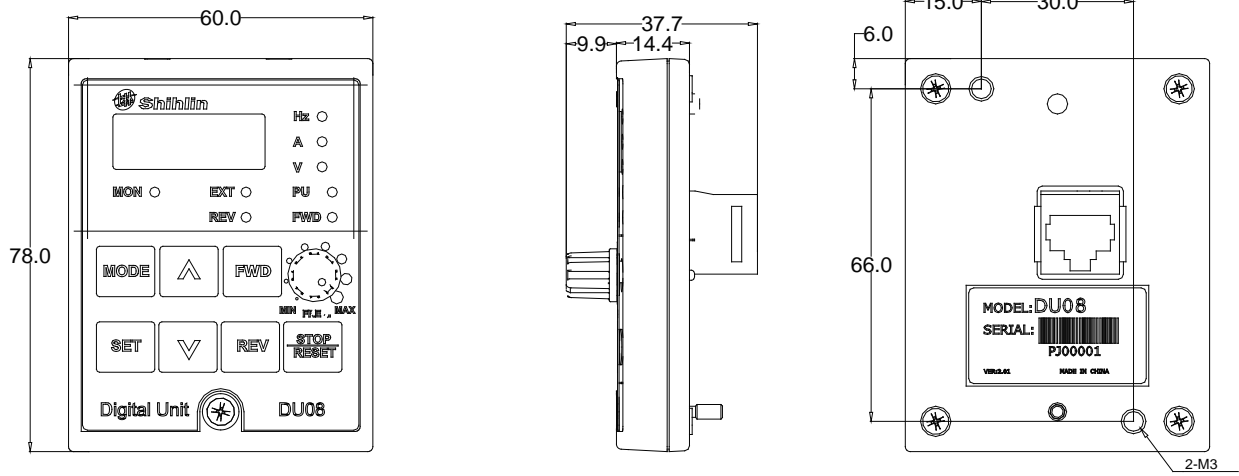
Description on the ordering code:

NO.	Model	Item Name	Ordering Code
1	DU08	DU08 operation panel	SNKDU08
2	DU08S	DU08S operation panel	SNKDU08S

Note: DU08, DU08S for SS2 series inverter, DU09, DU09S applicable to SF - G series inverter V0.320 and above version (version identifiers corresponding - 02 and above).

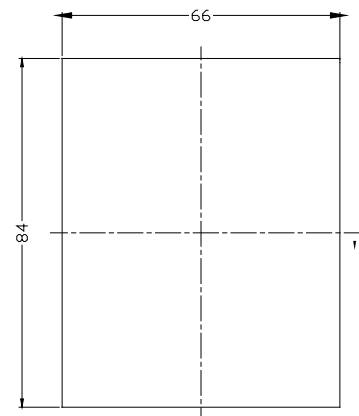
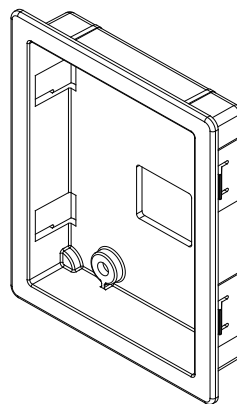
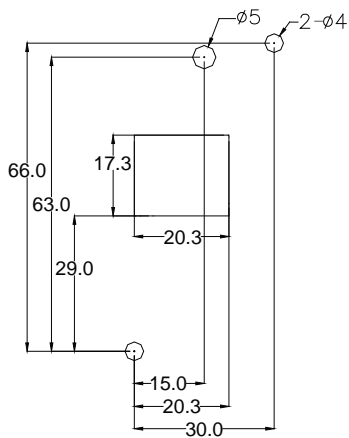
➤ Outline drawing of DU08

< outline dimensional drawing >



< Surface mounting hole size figure >

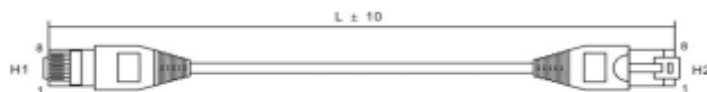
< Flange installation hole size chart (note) >



Note: the flange installation, installation of the base is not standard, need to purchase another, order code: SNKDUMH02 (DU08S already includes the installation of the base).

7.4.4 CBL: Data transmission line (coordinated with the operation panel)

Model: SNKCBLxxGTN2 (xx expression 1R5,3,5,10)



Item No.	Part No.	L(mm)
1	SNKCBL1R5GTN2	1500
2	SNKCBL3GTN2	3000
3	SNKCBL5GTN2	5000
4	SNKCBL10GTN2	10000

## 7.4.5 Appendix 6 European Specification Compatibility Description

### **This inverter qualifies the CE label. Specifications:**

#### **Low Voltage Directive 2006/95/EC & Electromagnetic Compatibility Directive 2004/108/EC.**

#### 1. Electromagnetic compatibility command (EMC):

##### (1). EMC compatibility description:

For system integration, inverter is not a functionally independent device unit. It is usually a unit in the control box. It is combined with other devices to control a machine or equipment. Therefore, our company does not consider that all the EMC commands should be directly applied on the inverter. As a result, the CE label of this inverter is not extensible.

##### (2). Compatibility:

The inverter does not need to cover all the EMC commands. Yet, for certain machine equipment that needs to use EMC commands and the inverter, the machine has to be equipped with CE label. In addition, the company can provide the electromagnetic inspection data and operation manual that covers the required electromagnetic compatibility specifications for a quick and easy installation of the machine equipment of this inverter.

##### (3). Installation outline:

Please follow the following notes for installing the inverter:

- \* Use a noise filter qualifying the EU standard to coordinate with the inverter.
- \* The wire between the motor and the inverter has to be stored in shielded cable or metal tube. In addition, ground the motor terminal and the inverter terminal together. Please shorten the wire as much as possible.
- \* Please put this inverter in a metal cabinet that is already grounded. It can prevent radiation interference.
- \* The line-to-line noise filter at the power source terminal and the online magnetic iron core at the control row are used for suppressing noises.

All the signals and the EU-qualified filter specifications are described in details in the operation manual. Please contact your agent.

#### 2. Low-voltage command (LVD):

##### (1). Low-voltage command compatibility description:

This inverter is compatible with low-voltage commands.

##### (2). Compatibility:

Our company qualifies the low-voltage command specification.

##### (3). Description:

- \* Do not rely on leakage protection only for preventing electric shocks. Grounding is required for the protection.
- \* Ground each inverter individually (do not connect more than two (including two) ground cables).
- \* Please use non-fuse switch and electromagnetic contactor that qualify EN or IEC specifications.
- \* Please use the inverter under an environment of over-voltage level-2 condition with contamination level 2 or better.
- \* For the style and dimensions of the input- and output-end of the inverter cable, please refer to the specifications listed in the operation manual.



## VERIFICATION OF CONFORMITY

CERTIFICATE NO: VC-0398/01/03

Shihlin Electric & Engineering Corporation Automation Business Group  
Suzhou Shihlin Electric & Engineering Corporation

### Annex I - INVERTER MODEL LIST

<i>SC3-043 Series (3PH 440V):</i>	<i>SC3-043-0.4K-**, SC3-043-0.75K-**, SC3-043-1.5K-**, SC3-043-2.2K-**, SC3-043-3.7K-**, SC3-043-5.5K-**</i>
<i>SC3-023 Series (3PH 220V):</i>	<i>SC3-023-0.2K-**, SC3-023-0.4K-**, SC3-023-0.75K-**, SC3-023-1.5K-**, SC3-023-2.2K-**, SC3-023-3.7K-**</i>
<i>SC3-021 Series (1PH 220V):</i>	<i>SC3-021-0.2K-**, SC3-021-0.4K-**, SC3-021-0.75K-**, SC3-021-1.5K-**, SC3-021-2.2K-**</i>
<i>** denote any alphanumeric suffix</i>	

### Annex II – TEST REPORT NUMBERS LIST

<i>LVD TEST REPORT ISSUE</i>	<i>VC-CO-20151001, VC-CO-20151002, VC-CO-20151003, VC-CO-20151201, VC-CO-20151202, VC-CO-20151203</i>
<i>EMC TEST REPORT ISSUE</i>	<i>2015118A, 2015119A, 2015120A, 2015181A, 2015182A, 2015183A</i>



VIACERT TESTING & CERTIFICATION  
Room 211, 4F Building, No.641 Tianshu Road, Shanghai 200336, China

TEL:+86-21 51088618, FAX:+86-21 51801927  
EMAIL: info@via-cert.com




1 / 2



## VERIFICATION OF CONFORMITY

CERTIFICATE NO: VC-0398/01/03

<b>Applicant</b>	Name	: Shihlin Electric & Engineering Corporation Automation Business Group
	Address	: No.234, Chung Lun, Hsin Fun, HsinChu, Taiwan
<b>Manufacturers</b>	Name	: Shihlin Electric & Engineering Corporation Automation Business Group
	Address	: No.234, Chung Lun, Hsin Fun, HsinChu, Taiwan
	Name	: Suzhou Shihlin Electric & Engineering Corporation
	Address	: No.88, Guangdong St., Suzhou New District, Jiangsu, China.
<b>Test Report No.:</b> (Refer to Annex II for details)	Trader Mark	: 
	Product Name	: INVERTER
	Model	: Refer to Annex I for details
<b>Applicable Directives</b>	: LOW VOLTAGE DIRECTIVE 2006/95/EC ELECTROMAGNETIC COMPATIBILITY 2004/108/EC	
<b>Applicable Standards</b>	: EN 61800-5-1:2007, EN 61800-3:2004/A1:2012, EN 61000-4-2:2009, EN 61000-4-3:2006+A2:2010, EN 61000-4-4:2004, EN 61000-4-5:2006, EN 61000-4-6:2009, EN 61000-4-8:2010	

VIACERT as the Third Party Authority, upon the relevant request of **Shihlin Electric & Engineering Corporation** and **Suzhou Shihlin Electric & Engineering Corporation**, certifies that: the test results of the above mentioned products comply with the requirement of the EN Standards, according to EU Low Voltage Directive 2006/95/EC and Electromagnetic Compatibility 2004/108/EC.

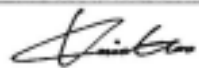
The manufacturer is obliged to issue a Declaration of Conformity according to the basic requirement of relative Directives and places the CE marking with his own responsibility as follows:



All modifications to the Technical File should be first submitted to the Third Party Inspection Authority to ensure further validity of this attestation.

Third Party Authority Stamp



Date and Place of Issue
Shanghai, 18/01/2016
FOR VIACERT

KELVIN GAO
GENERAL MANAGER

VIACERT TESTING & CERTIFICATION  
Room 211, 4# Building, No.641 Tianshan Road, Shanghai 200336, China

TEL: +86-21 51088618, FAX: +86-21 51801927  
EMAIL: info@via-cert.com

## 8. REVISION RECORD

Published Date	Edition of the Manual	Revision Content
2015.07	V1.00	First Edition
2016.04	V1.01	1 : Increase: the European standard compatibility 2 : Part of the parameter value and set the scope of the modify
2016.06	V1.02	amendment: 1. Modify the communication line in 7.4.4 specifications 2. Modify the 3.1 electrical specifications in the individual model cooling way Increase: 1. Increase the 3.7.3 grounding torque form

Version: V1.02